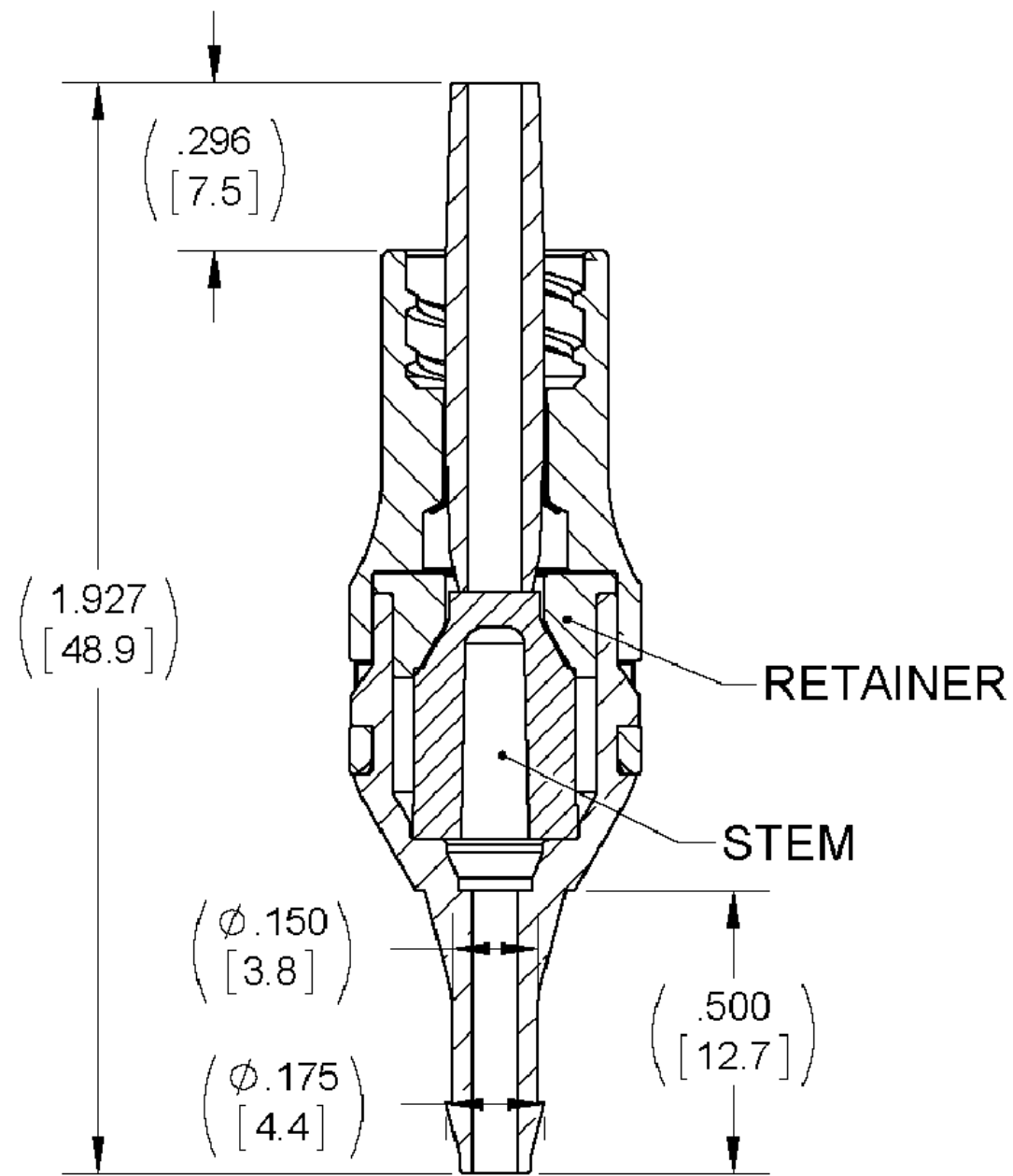
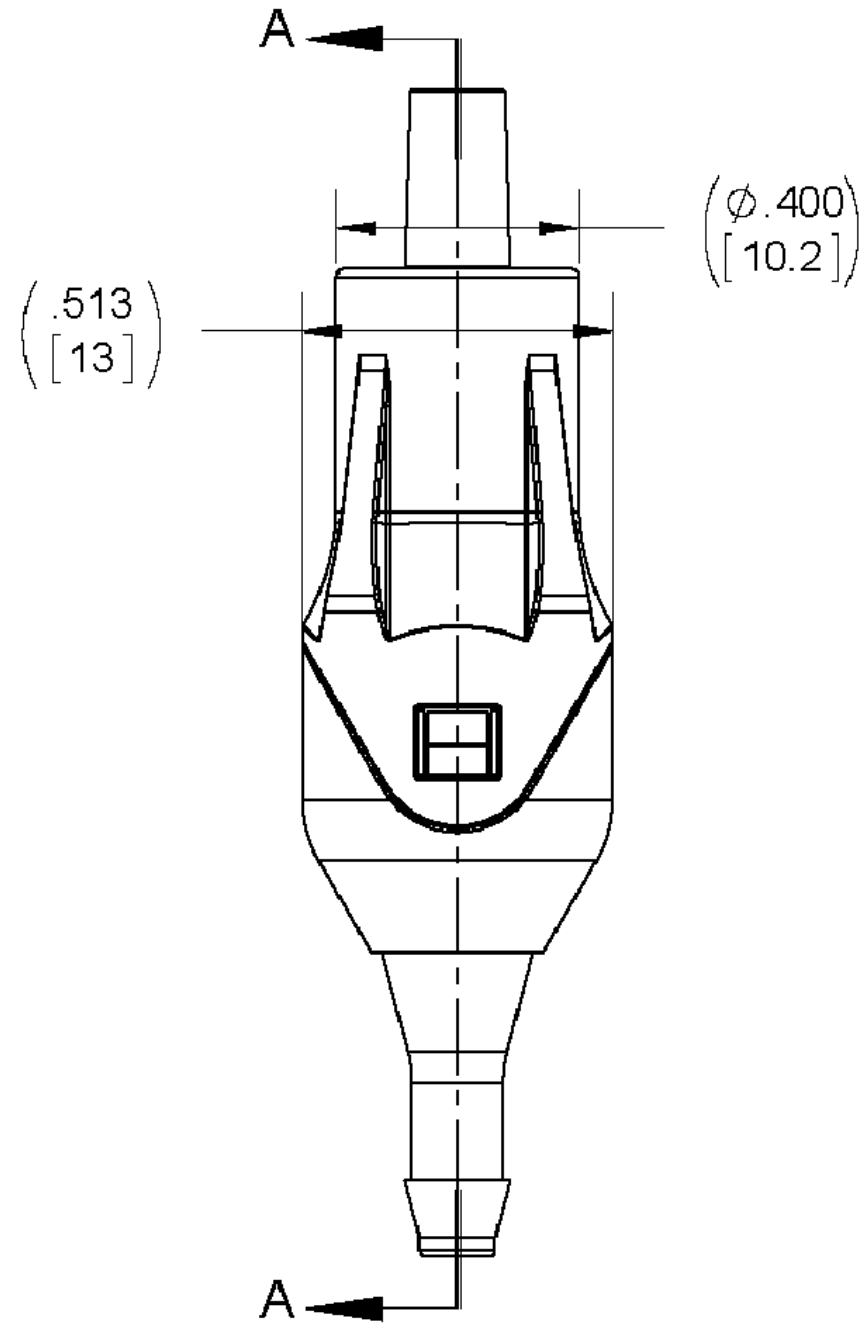
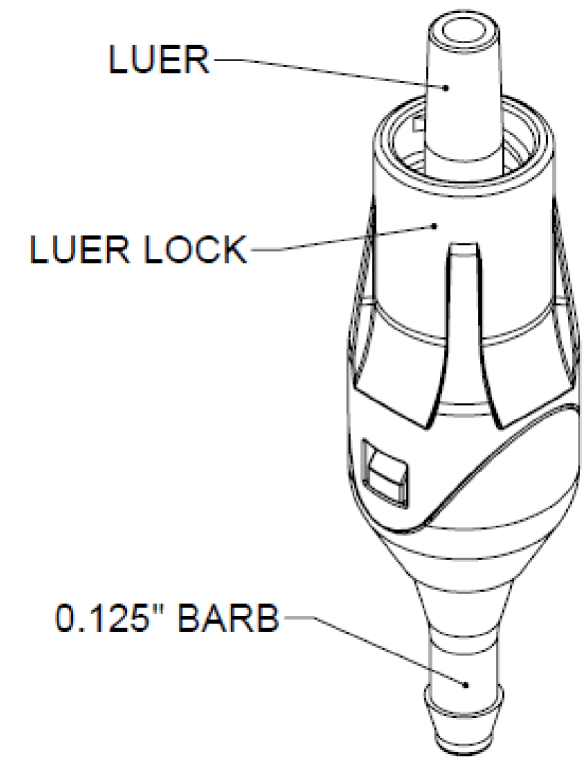


NOTES: FOR ADDITIONAL DETAILS, PLEASE CONTACT VP CUSTOMER SERVICE  
 DIMENSIONS MARKED  $\square$  ARE CONTROL DIMENSIONS

REVISIONS			
REV.	DESCRIPTION	DATE	APPROVED
A	INITIAL RELEASE	04-05-16	FJL



SECTION A-A



UNLESS OTHERWISE SPECIFIED  
 DIMENSIONS ARE IN INCHES  
 TOLERANCES ARE:

FRACTIONS	DECIMAL	ANGULAR
±	.XX ±.01	± 1°
	.XXX ±.005	
	.XXXX ±.001	

DO NOT SCALE DRAWING

**VALUE PLASTICS, INC**

PART NUMBER: NVM31S-001

DESCRIPTION: VALVED MALE LUER TO .125IN BARB FOR 3.1MM TUBING ID, SWABBABLE STEM

DRAWN BY: marie.morleyjahn  
 DATE: 5/3/2016

SIZE:	SCALE:	VER:	DWG. NO.	REV
<b>B</b>	NTS		1039670	A

MANAGER: Frank.Lombardi

© 2014 VALUE PLASTICS, INC SHEET: 1 OF 1

**FOR REFERENCE ONLY**