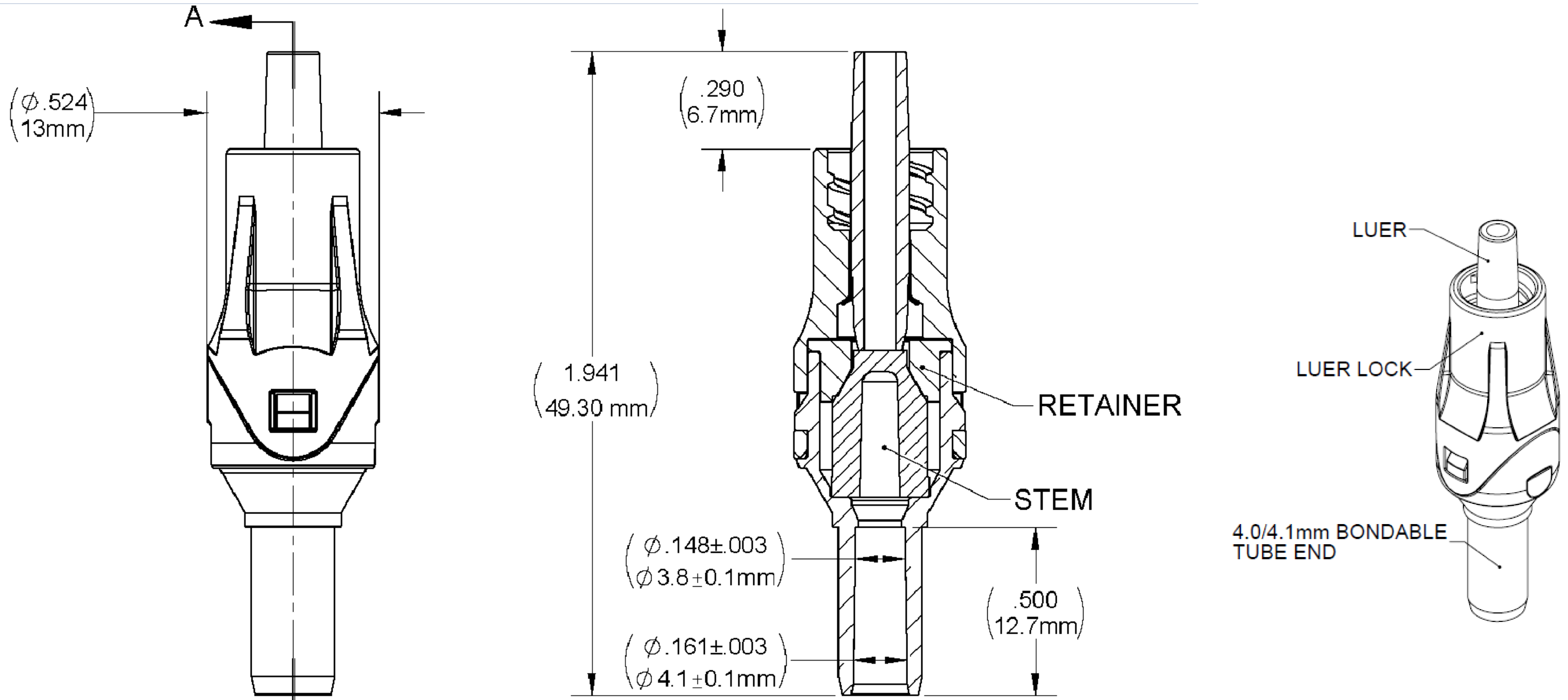


NOTES: FOR ADDITIONAL DETAILS, PLEASE CONTACT VP CUSTOMER SERVICE  
 DIMENSIONS MARKED  $\varnothing$  ARE CONTROL DIMENSIONS

REVISIONS			
REV.	DESCRIPTION	DATE	APPROVED
A	INITIAL RELEASE	04-05-16	FJL



SECTION A-A

UNLESS OTHERWISE SPECIFIED DIMENSIONS ARE IN INCHES TOLERANCES ARE:		<b>VALUE PLASTICS, INC</b>			
FRACTIONS    DECIMAL    ANGULAR ±            .XX ±.01    ± 1° .XXX ±.005 .XXXX ±.001		PART NUMBER: NVM41S-001			
DO NOT SCALE DRAWING		DESCRIPTION: VALVED MALE LUER TO BONDABLE SOCKET FOR 4.0/4.1mm OD TUBING, SWABBABLE STEM			
DRAWN BY: marie.morleyjahn	DATE: 5/3/2016	SIZE: <b>B</b>	SCALE: NTS	VER: 	DWG. NO. 1039668
MANAGER: Frank.Lombardi		© 2014 VALUE PLASTICS, INC			REV A
				SHEET: 1 OF 1	

**FOR REFERENCE ONLY**