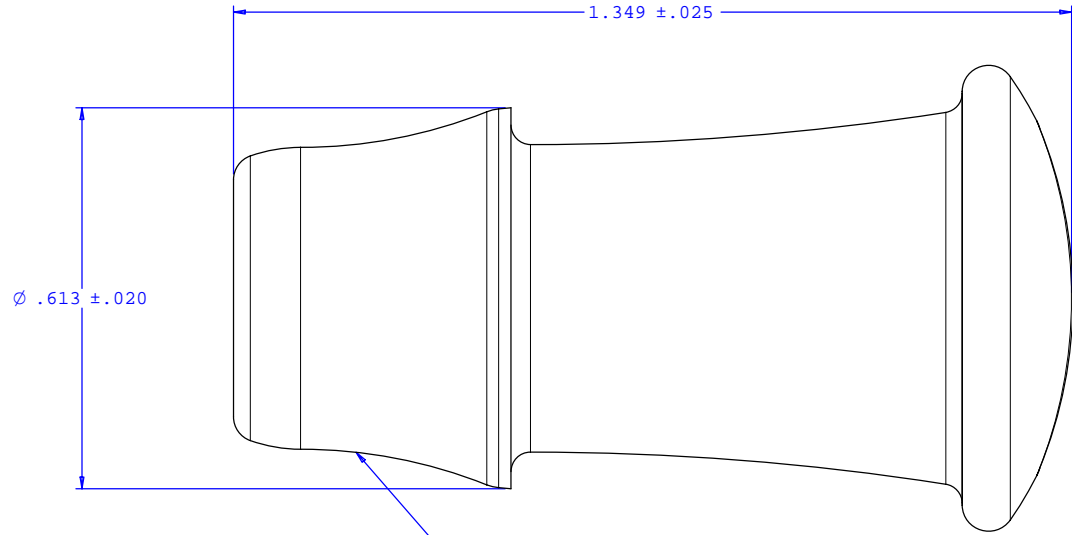
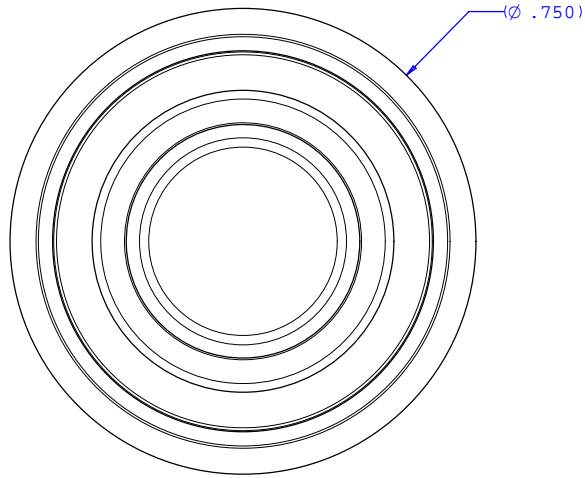
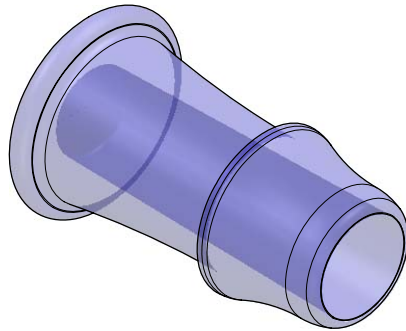


NOTE: FOR MORE DETAILS SEE YOUR V.P. CUSTOMER SERVICE REP.

REVISIONS			
REV.	DESCRIPTION	DATE	APPROVED
A	INITIAL RELEASE	05-07-04	
B	CO 046 Drafting Update	08-22-06	Rick C.



INSTRUMENT QUALITY PART. NO PARTING LINE PERMITTED ON THIS CONICAL SURFACE



UNLESS OTHERWISE SPECIFIED DIMENSIONS ARE IN INCHES TOLERANCES ARE:		<b>VALUE PLASTICS, INC.</b>	
FRACTIONS ±	DECIMALS .XX ±.01 .XXX ±.005 .XXXX ±.001	ANGULAR ±1°	PART NUMBER: <b>PIP080</b>
DO NOT SCALE DRAWING		DESCRIPTION: <b>Press-In Plug with 500 Series Barb, 1/2" (12.7 mm) ID Tubing.</b>	
DRAWN BY: <b>Frank Lombardi 06-10-06</b>	DATE:	SIZE: <b>B</b>	SCALE: <b>NTS</b>
Engineer/Manager: <b>Rick Cairns</b>		DRAWING NUMBER: <b>1008990</b>	REV. <b>B</b>
© 2006 VALUE PLASTICS, INC.		SHEET: 1 OF 1	

**FOR REFERENCE ONLY**