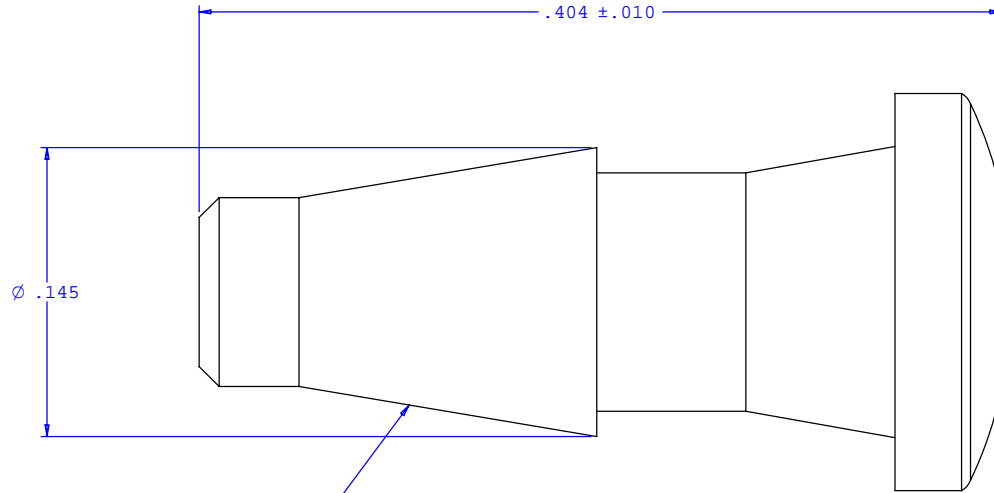
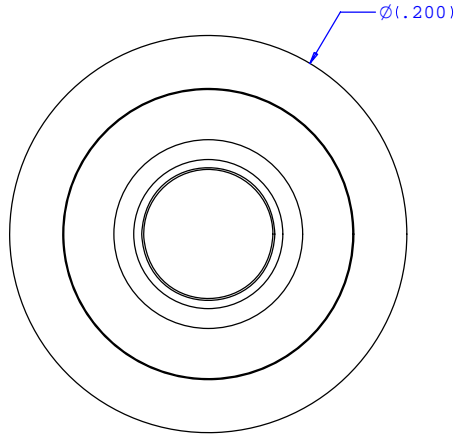
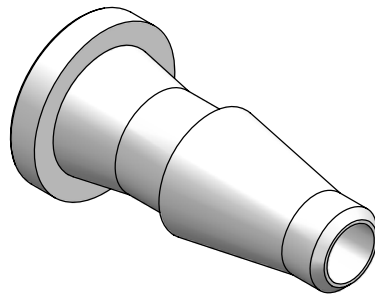


NOTE: FOR MORE DETAILS SEE YOUR V.P.CUSTOMER SERVICE REP.

REVISIONS			
REV.	DESCRIPTION	DATE	APPROVED
A	INITIAL RELEASE	02-12-97	
B	CO 039 Drafting Update	05-08-06	Rick C.



INSTRUMENT QUALITY PART. NO PARTING LINE PERMITTED ON THIS CONICAL SURFACE



UNLESS OTHERWISE SPECIFIED DIMENSIONS ARE IN INCHES TOLERANCES ARE:		<b>VALUE PLASTICS, INC.</b>	
FRACTIONS ±	DECIMALS .XX ±.01 .XXX ±.005 .XXXX ±.001	ANGULAR ±1°	PART NUMBER: <b>PIP20</b>
DO NOT SCALE DRAWING		DESCRIPTION: <b>Press-In Plug with Classic Series Barb, 3/32" (2.25 mm) ID Tubing</b>	
DRAWN BY: <b>Frank Lombardi</b>	DATE: <b>01-28-06</b>	SIZE: <b>B</b>	SCALE: <b>NTS</b>
ENGINEER/ MANAGER: <b>Rick Cairns</b>		DRAWING NUMBER: <b>1008192</b>	REV. <b>B</b>
© 2006 VALUE PLASTICS, INC.			SHEET: <b>1 OF 1</b>

**FOR REFERENCE ONLY**