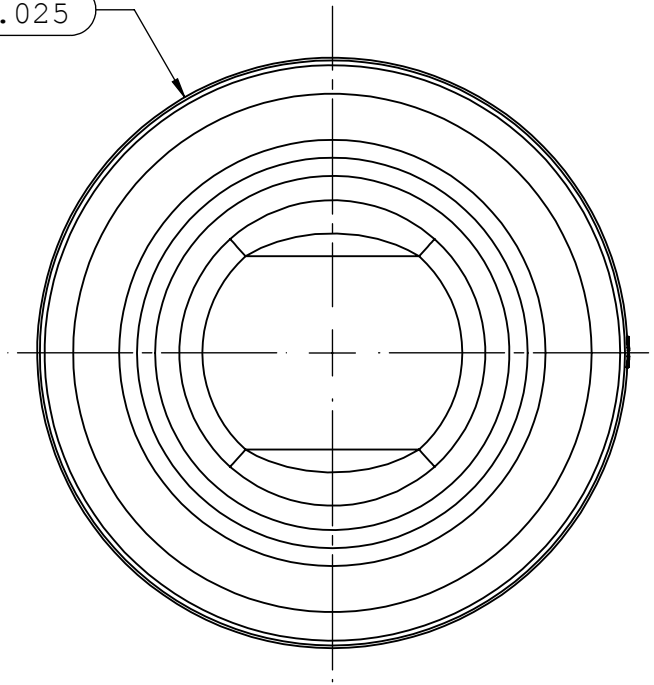


NOTES: FOR ADDITIONAL DETAILS, PLEASE CONTACT VP CUSTOMER SERVICE
 DIMENSIONS MARKED \varnothing ARE CONTROL DIMENSIONS

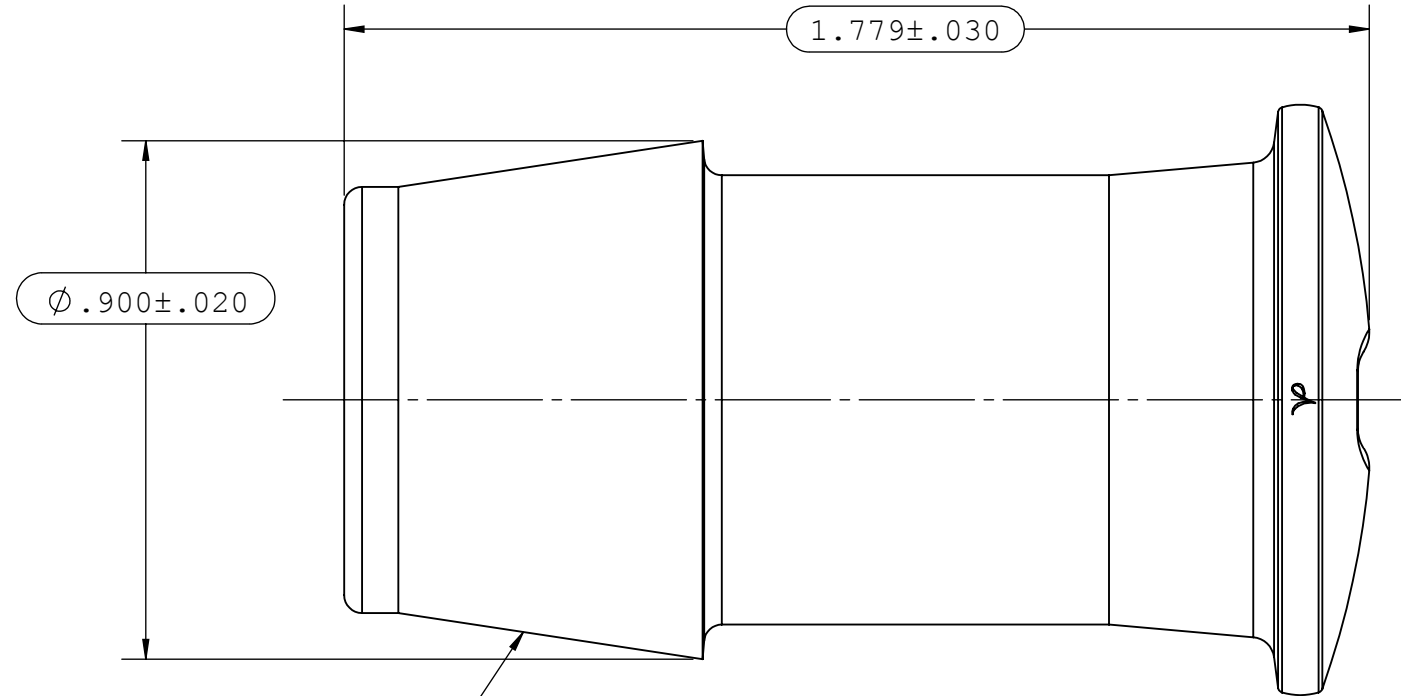
REVISIONS			
REV.	DESCRIPTION	DATE	APPROVED
A	INITIAL RELEASE	8-1-13	S.N.R

$\varnothing 1.025 \pm .025$

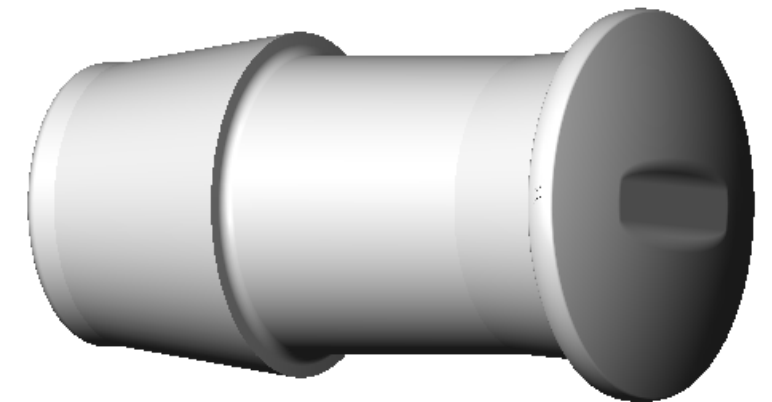


$\varnothing .900 \pm .020$

$1.779 \pm .030$



INSTRUMENT QUALITY PART.
 NO PARTING LINE PERMITTED
 ON THIS CONICAL SURFACE.



UNLESS OTHERWISE SPECIFIED
 DIMENSIONS ARE IN INCHES
 TOLERANCES ARE:

FRACTIONS	DECIMAL	ANGULAR
\pm	.XX $\pm .01$	$\pm 1^\circ$
	.XXX $\pm .005$	
	.XXXX $\pm .001$	

DO NOT SCALE DRAWING

VALUE PLASTICS, INC

PART NUMBER: PIP6100

DESCRIPTION: Press-In Plug with 600 series barb,
 3/4" (19.0 mm) ID Tubing

DRAWN BY: P. Lewis	DATE: 8/1/2013	SIZE: B	SCALE: NTS	VER:	DWG. NO. 1026673	REV A
MANAGER: Ravi Narayanan		© 2011 VALUE PLASTICS, INC			SHEET: 1 OF 1	

FOR REFERENCE ONLY