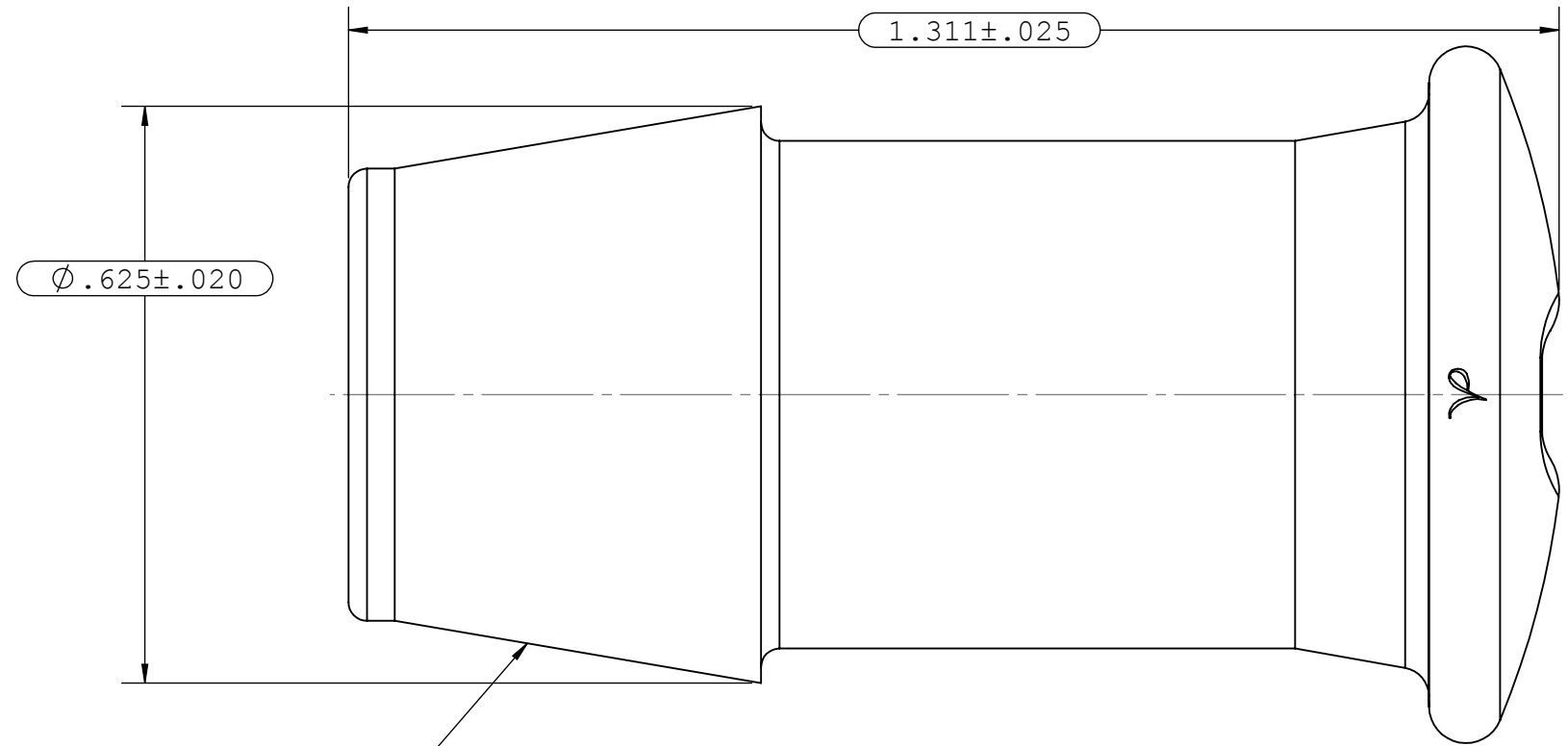
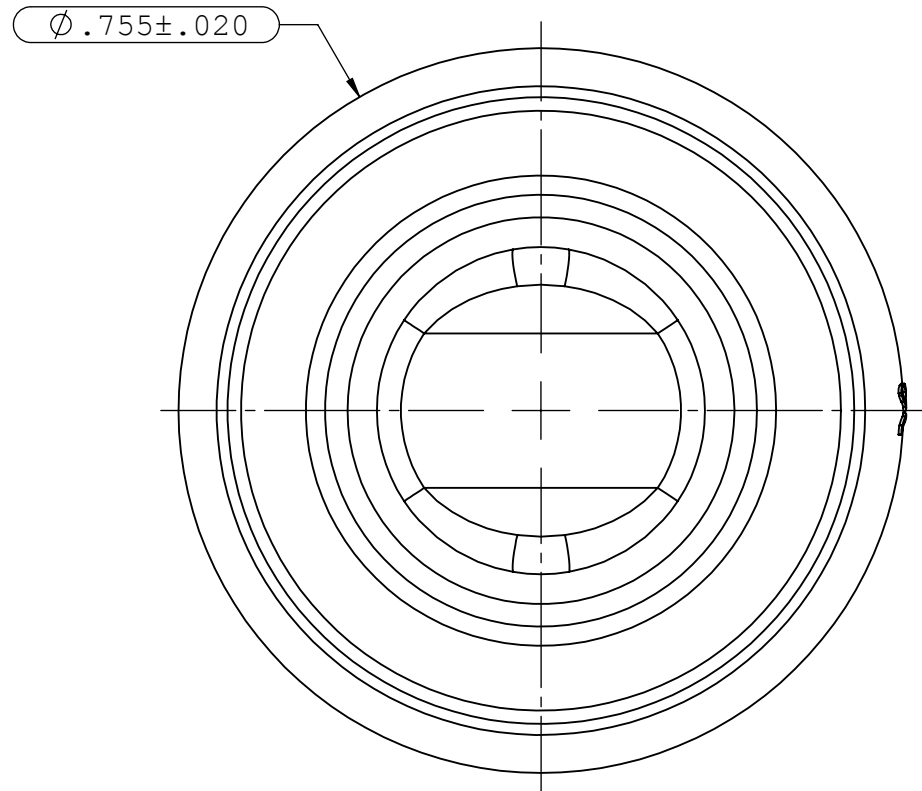
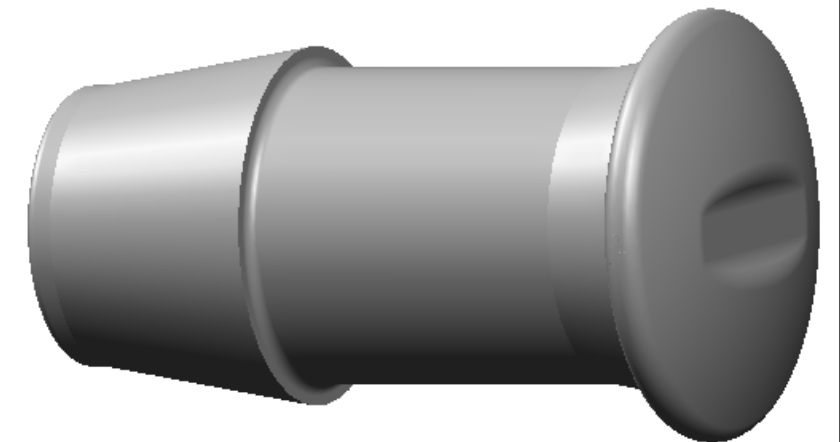


NOTES: FOR ADDITIONAL DETAILS, PLEASE CONTACT VP CUSTOMER SERVICE  
 DIMENSIONS MARKED  $\phi$  ARE CONTROL DIMENSIONS

REVISIONS			
REV.	DESCRIPTION	DATE	APPROVED
A	INITIAL RELEASE	5-23-11	S.N.R



INSTRUMENT QUALITY PART.  
 NO PARTING LINE PERMITTED  
 ON THIS CONICAL SURFACE.



UNLESS OTHERWISE SPECIFIED DIMENSIONS ARE IN INCHES TOLERANCES ARE:		<b>VALUE PLASTICS, INC</b>			
FRACTIONS    DECIMAL    ANGULAR $\pm$ .XX $\pm$ .01 $\pm$ 1° .XXX $\pm$ .005 .XXXX $\pm$ .001 DO NOT SCALE DRAWING		PART NUMBER: PIP680			
DESCRIPTION: Press-In Plug with 600 series barb, 1/2" (12.7 mm) ID Tubing		SIZE: <b>B</b>	SCALE: NTS	VER:	DWG. NO. 1020111
DRAWN BY: Pete L.	DATE: 5/23/2011	NEW PRODUCT DEVELOPMENT MGR: R. Narayanan			REV: A
© 2009 VALUE PLASTICS, INC				SHEET: 1 OF 1	

**FOR REFERENCE ONLY**