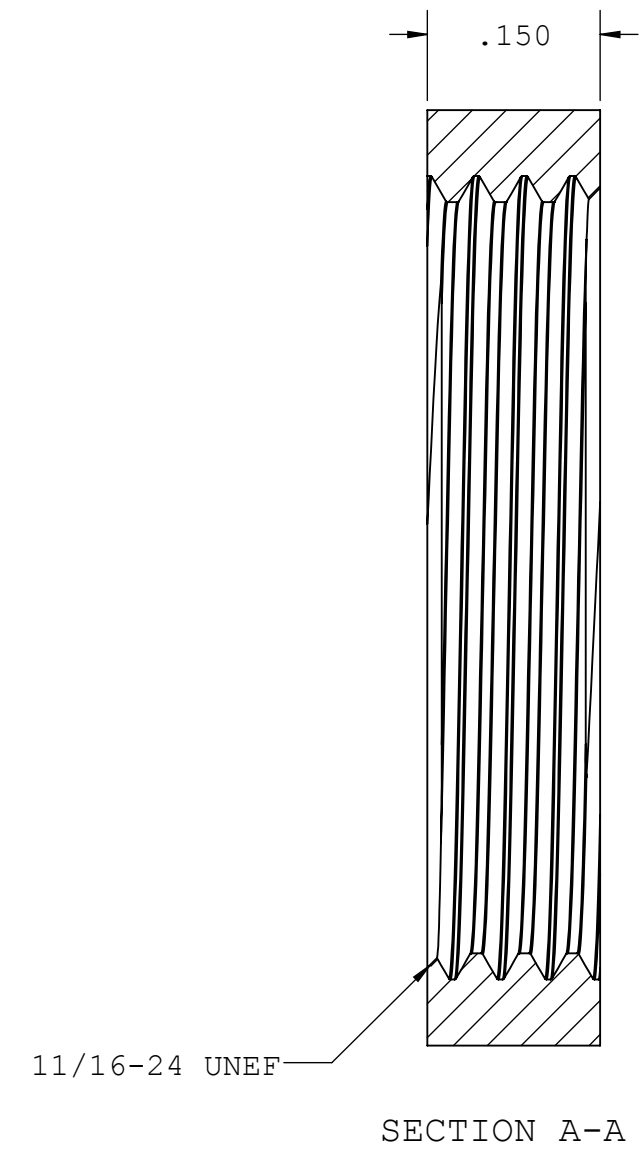
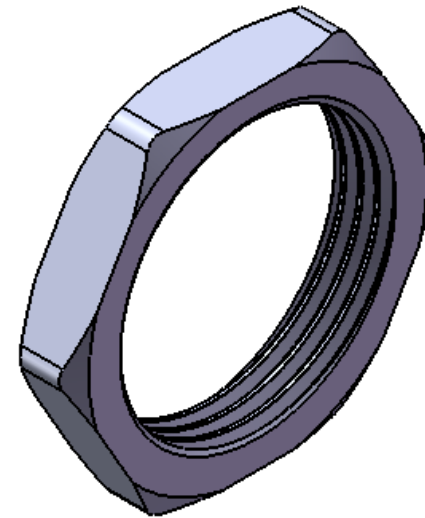
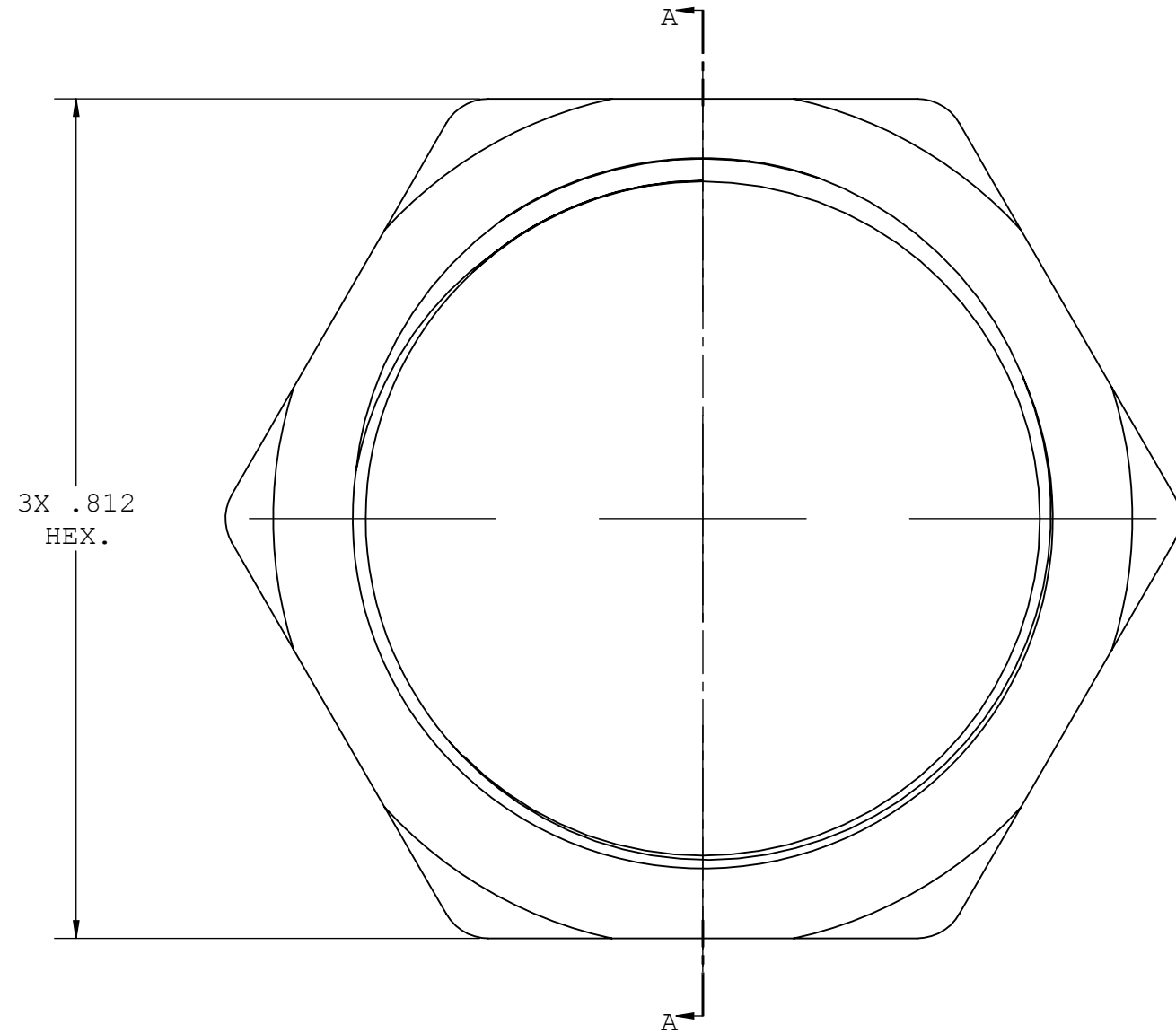


NOTES: FOR MORE DETAILS SEE YOUR V.P. SERVICE REP.

REVISIONS			
REV.	DESCRIPTION	DATE	APPROVED
A	INITIAL RELEASE	11-29-07	
B	ECO 083	09-29-08	S.N.R



UNLESS OTHERWISE SPECIFIED DIMENSIONS ARE IN INCHES TOLERANCES ARE:		VALUE PLASTICS, INC			
FRACTIONS ±	DECIMAL . XX ±.01 .XXX ±.005 .XXXX ±.001	ANGULAR ± 1°	PART NUMBER: PM4N		
DO NOT SCALE DRAWING			DESCRIPTION: Panel Mount Nut 11/16-24 UNEF w/ .812" Hex. (For use with XQC Panel Mount Fittings)		
DRAWN BY: Frank.Lombardi	DATE: 9/29/2008	SIZE: B	SCALE: NTS	DWG. NO. 1011220	REV B
CHECKED BY: R. Narayanan		2007 VALUE PLASTICS, INC			SHEET: 1 OF 1