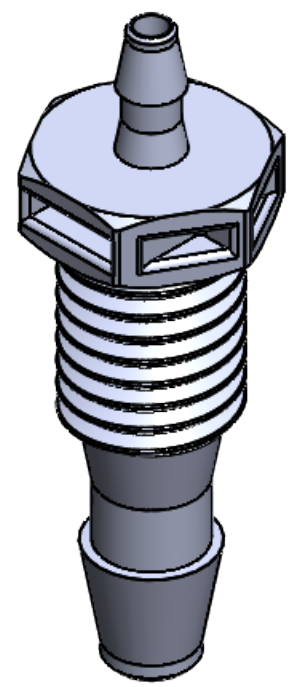
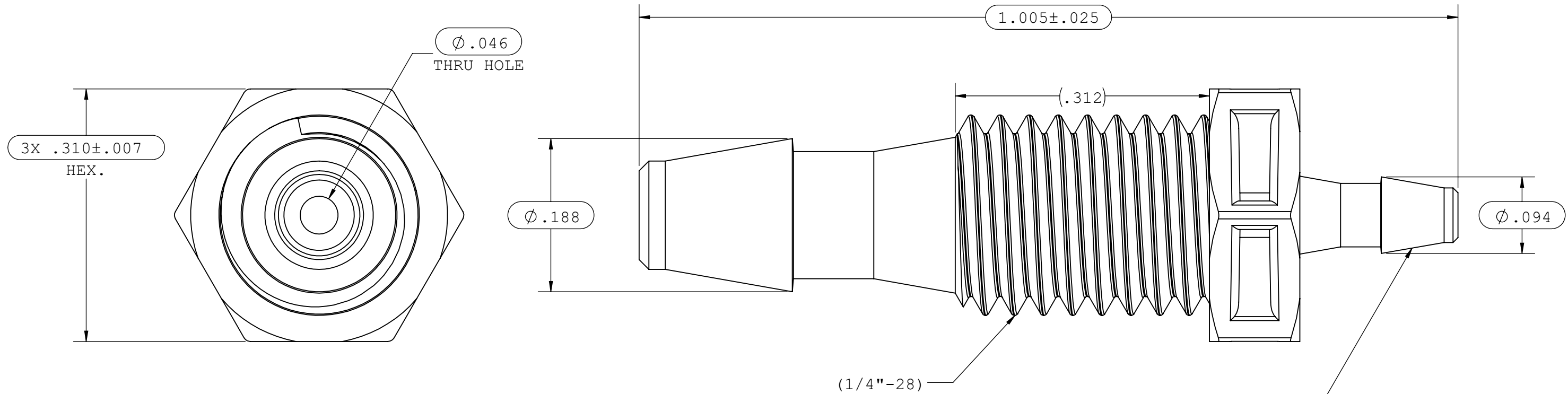


NOTES: 1.FOR ADDITIONAL DETAILS, PLEASE CONTACT VP CUSTOMER SERVICE
 2.DIMENSIONS MARKED ARE CONTROL DIMENSIONS
 3.VERIFY THREAD USING CG118 1/4"-28 FUNCTIONAL THREAD GAUGE

REVISIONS			
REV.	DESCRIPTION	DATE	APPROVED
A	INITIAL RELEASE	01-08-02	
B	CO 039 DRAFTING UPDATE	05-08-06	RICK C.
C	ECO 1079196	01-31-20	FJL



2X INSTRUMENT QUALITY PART. NO PARTING LINE PERMITTED ON THIS CONICAL SURFACE

UNLESS OTHERWISE SPECIFIED DIMENSIONS ARE IN INCHES TOLERANCES ARE:		VALUE PLASTICS, INC			
FRACTIONS DECIMAL ANGULAR ± .XX ±.01 ± 1° .XXX ±.005 .XXXX ±.001		PART NUMBER: PMS230-210			
DO NOT SCALE DRAWING		DESCRIPTION: PANEL MOUNT REDUCTION CONNECTOR 1/4-28 TO 200 SERIES BARBS, 1/8" (3 mm) AND 1/16" (1.5 mm) ID TUBING			
DRAWN BY: BRYCE HIRSCHFELD	DATE: 1/31/2020	SIZE: B	SCALE: NTS	VER: 	DWG. NO. 1008225
MANAGER: DOUG KIMMEL		© 2014 VALUE PLASTICS, INC			REV C
				SHEET: 1 OF 1	

FOR REFERENCE ONLY