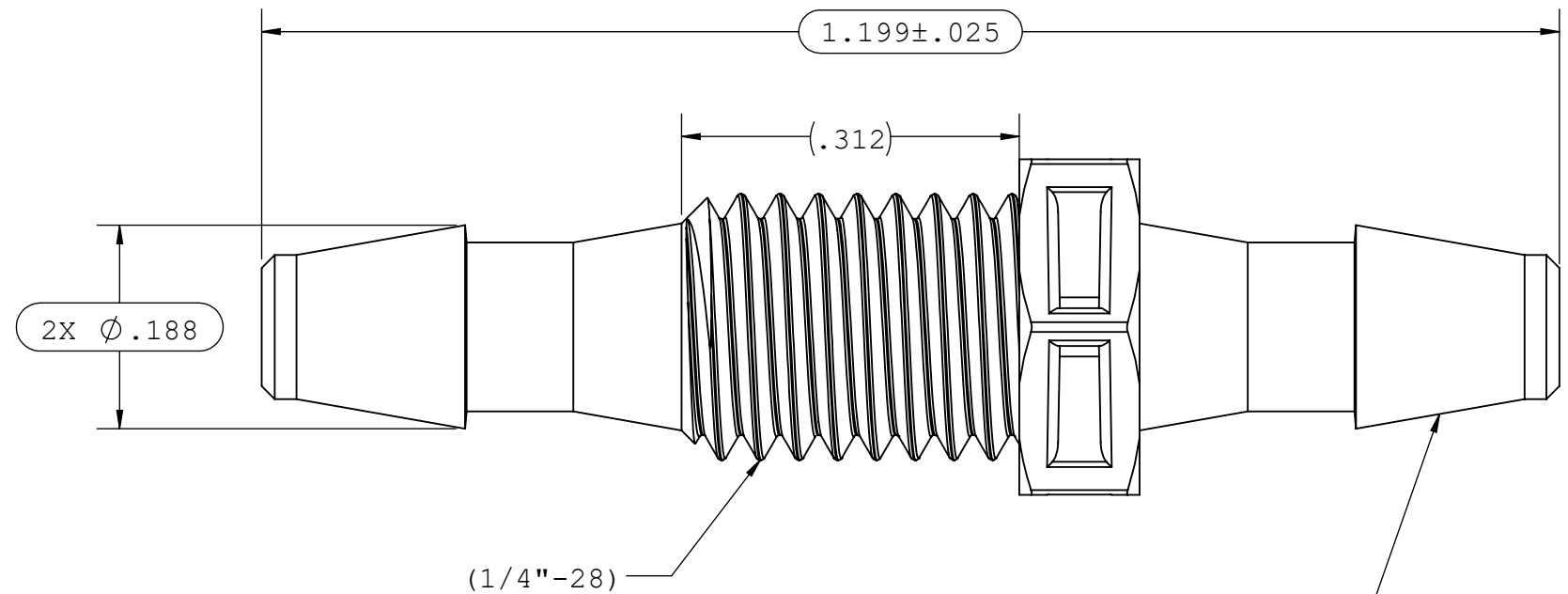
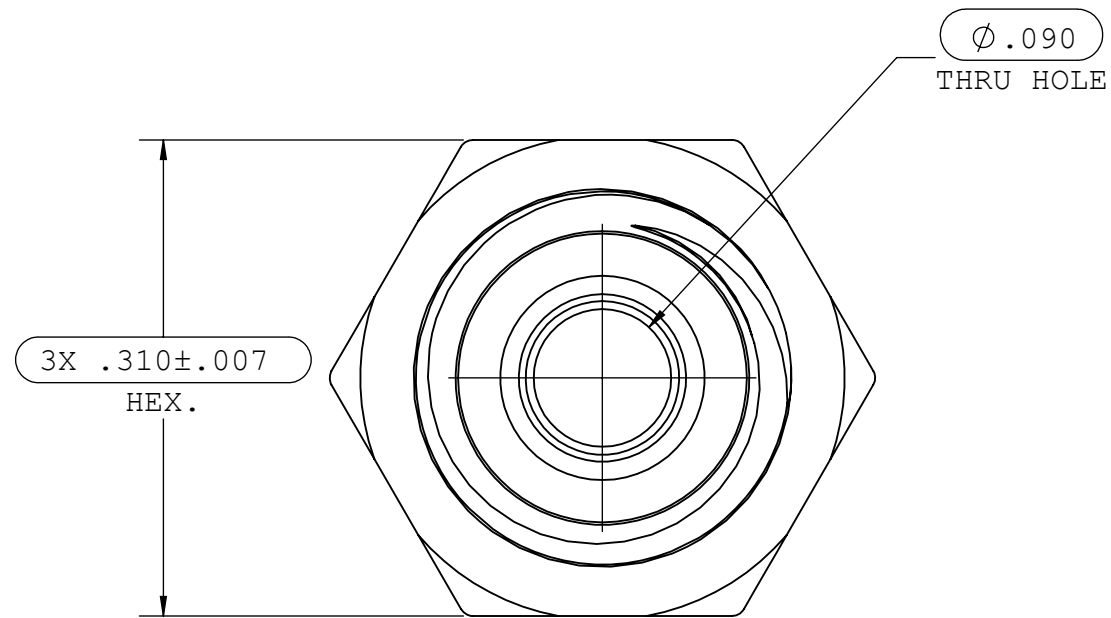
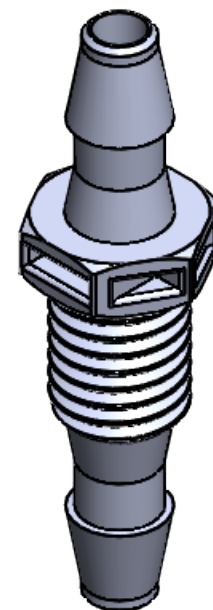


NOTES: 1.FOR ADDITIONAL DETAILS, PLEASE CONTACT VP CUSTOMER SERVICE  
 2.DIMENSIONS MARKED  $\phi$  ARE CONTROL DIMENSIONS  
 3.VERIFY THREAD USING CG118 1/4"-28 FUNCTIONAL THREAD GAUGE

REVISIONS			
REV.	DESCRIPTION	DATE	APPROVED
A	INITIAL RELEASE	01-08-02	
B	CO 039 DRAFTING UPDATE	05-08-06	RICK C.
C	ECO 1079196	02-12-20	FJL



2X INSTRUMENT QUALITY PART. NO PARTING LINE PERMITTED ON THIS CONICAL SURFACE



UNLESS OTHERWISE SPECIFIED DIMENSIONS ARE IN INCHES TOLERANCES ARE:		<b>VALUE PLASTICS, INC</b>			
FRACTIONS    DECIMAL    ANGULAR $\pm$ .XX $\pm$ .01 $\pm$ 1° .XXX $\pm$ .005 .XXXX $\pm$ .001		PART NUMBER: PMS230			
DO NOT SCALE DRAWING		DESCRIPTION: PANEL MOUNT CONNECTOR 1/4-28 TO 200 SERIES BARBS, 1/8" (3 mm) ID TUBING			
DRAWN BY: BRYCE HIRSCHFELD	DATE: 2/12/2020	SIZE: <b>B</b>	SCALE: NTS	VER: 	DWG. NO.    REV 1008224    C
MANAGER: DOUG KIMMEL		© 2014 VALUE PLASTICS, INC			SHEET: 1 OF 1

**FOR REFERENCE ONLY**