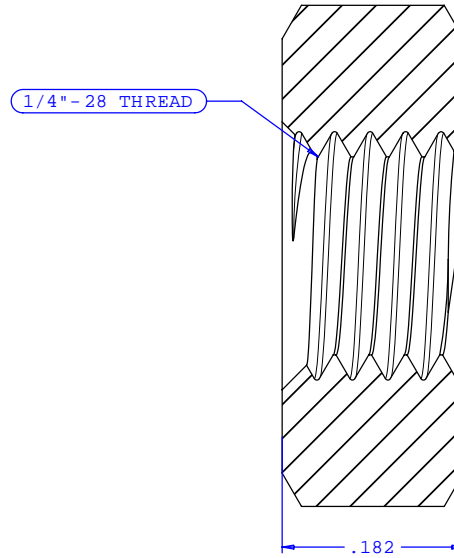
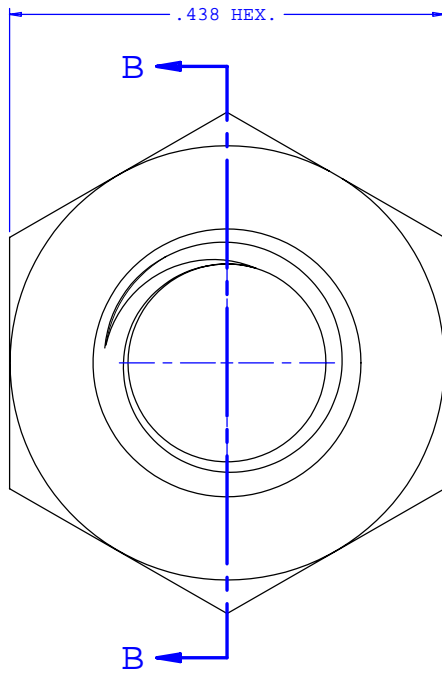
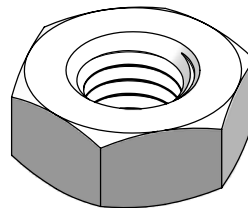


NOTE: FOR MORE DETAILS SEE YOUR V.P. CUSTOMER SERVICE REP.

REVISIONS			
REV.	DESCRIPTION	DATE	APPROVED
A	INITIAL RELEASE	11-06-03	



SECTION B-B



UNLESS OTHERWISE SPECIFIED DIMENSIONS ARE IN INCHES TOLERANCES ARE:		VALUE PLASTICS, INC.	
FRACTIONS ±	DECIMALS .XX ±.01 .XXX ±.005 .XXXX ±.001	ANGULAR ±1°	PART NUMBER: PMSN
DO NOT SCALE DRAWING		DESCRIPTION: Panel Mount Nut 1/4"-28 UNF with 7/16" Hex. (For use with PMS panel mount fittings)	
DRAWN BY: Frank Lombardi	DATE: 06-01-05	SIZE: B	SCALE: NTS
Engineer/Manager: Rick Cairns		DRAWING NUMBER: 1006838	REV. A
		© 2005 VALUE PLASTICS, INC.	SHEET: 1 OF 1

FOR REFERENCE ONLY