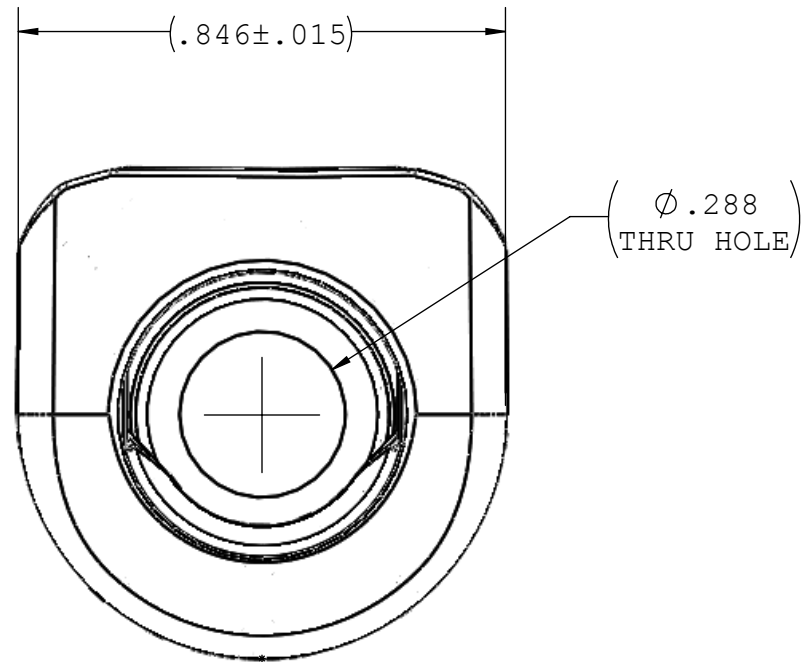
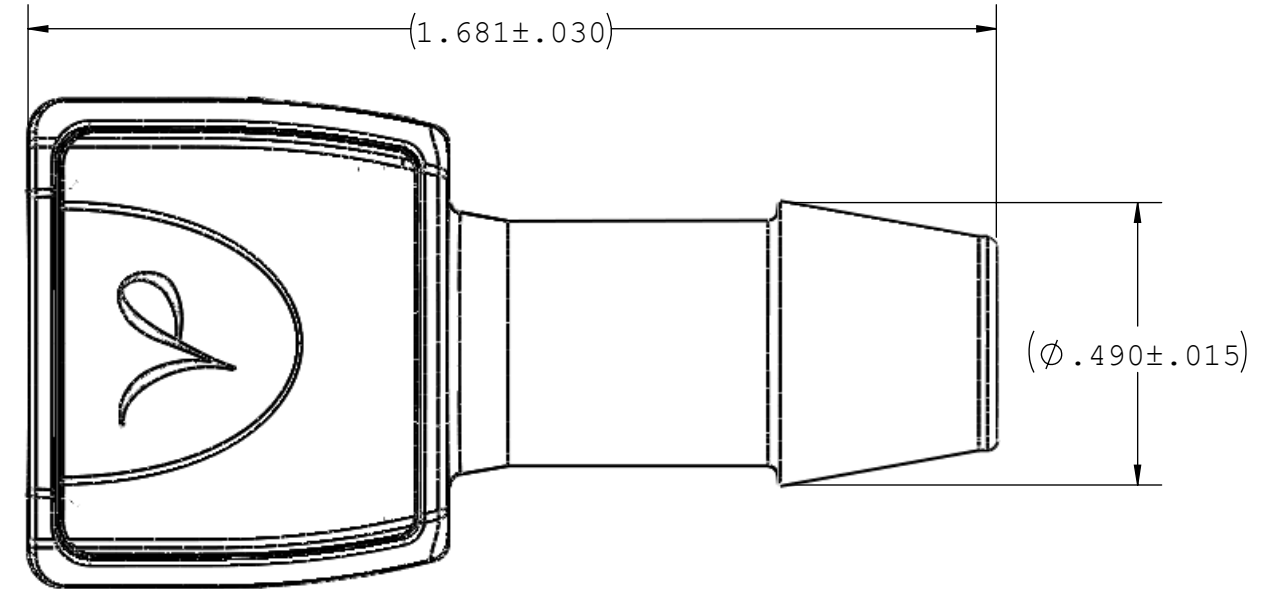
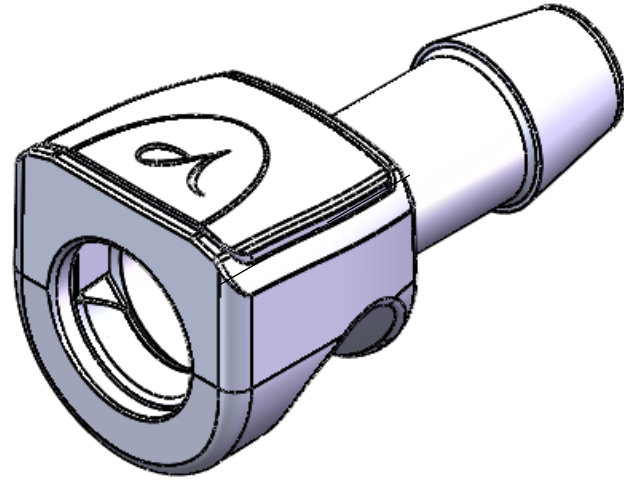
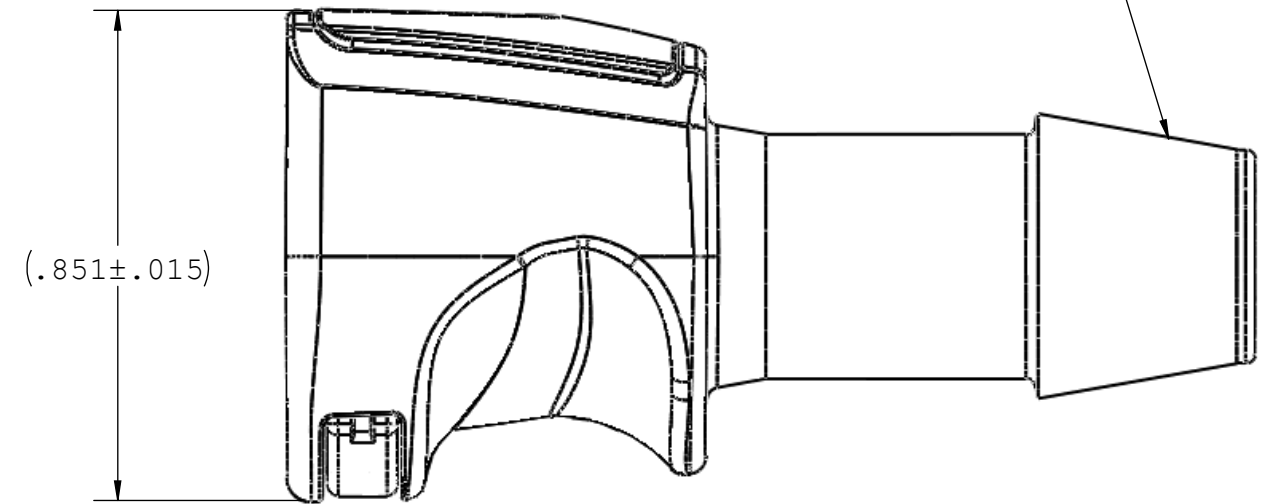


NOTES: FOR ADDITIONAL DETAILS, PLEASE CONTACT VP CUSTOMER SERVICE
 DIMENSIONS MARKED \square ARE CONTROL DIMENSIONS

| REVISIONS | | | |
|-----------|-----------------|----------|----------|
| REV. | DESCRIPTION | DATE | APPROVED |
| A | INITIAL RELEASE | 01-16-14 | S.N.R |
| | | | |



INSTRUMENT QUALITY PART. NO
 PARTING LINE PERMITTED ON
 THIS CONICAL SURFACE



| | | | | | |
|--|--------------------|----------------------------|------------|---------------|------------------|
| UNLESS OTHERWISE SPECIFIED DIMENSIONS ARE IN INCHES TOLERANCES ARE: | | VALUE PLASTICS, INC | | | |
| FRACTIONS DECIMAL ANGULAR \pm .XX \pm .01 \pm 1° .XXX \pm .005 .XXXX \pm .001 DO NOT SCALE DRAWING | | PART NUMBER: RQCF670 | | | |
| DESCRIPTION: RQC Series Female Open Flow Connector, 600 Series Barb, 3/8" (9.5 mm) ID Tubing | | SIZE: B | SCALE: NTS | VER: | DWG. NO. 1027980 |
| DRAWN BY: Frank.Lombardi | DATE: 1/17/2014 | MANAGER: Ravi Narayanan | | | REV: A |
| © 2013 VALUE PLASTICS, INC | | | | SHEET: 1 OF 1 | |

FOR REFERENCE ONLY