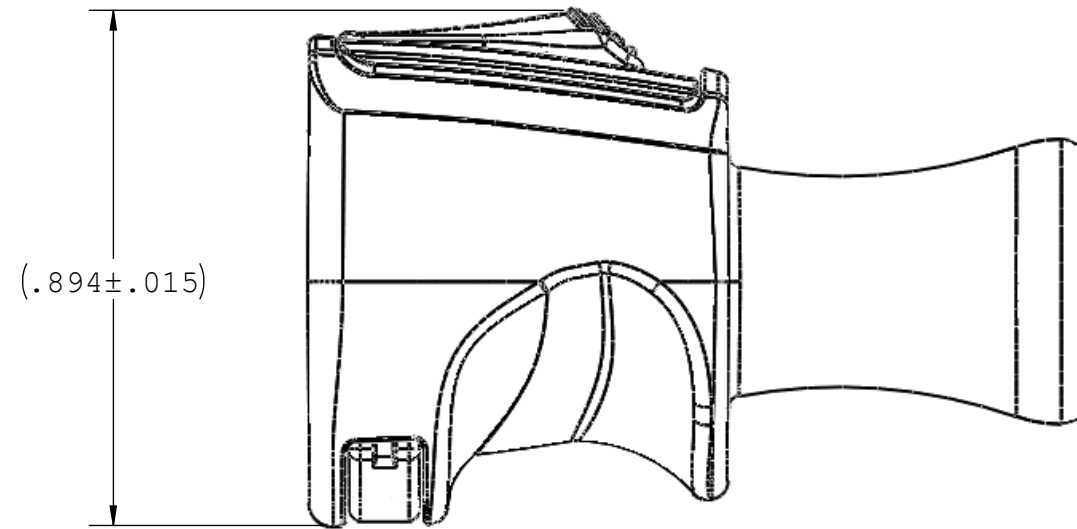
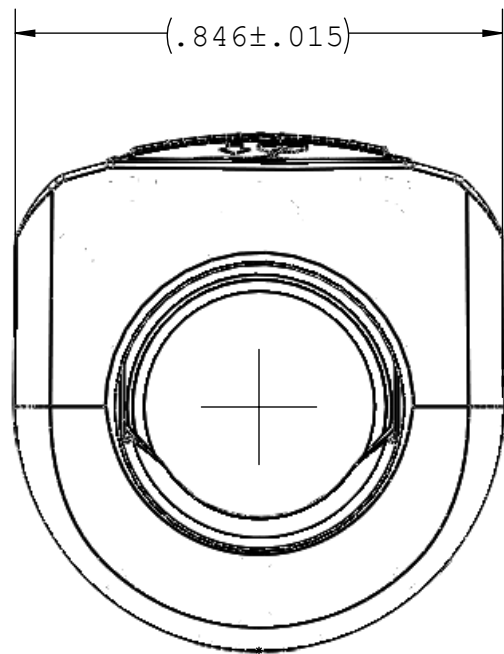
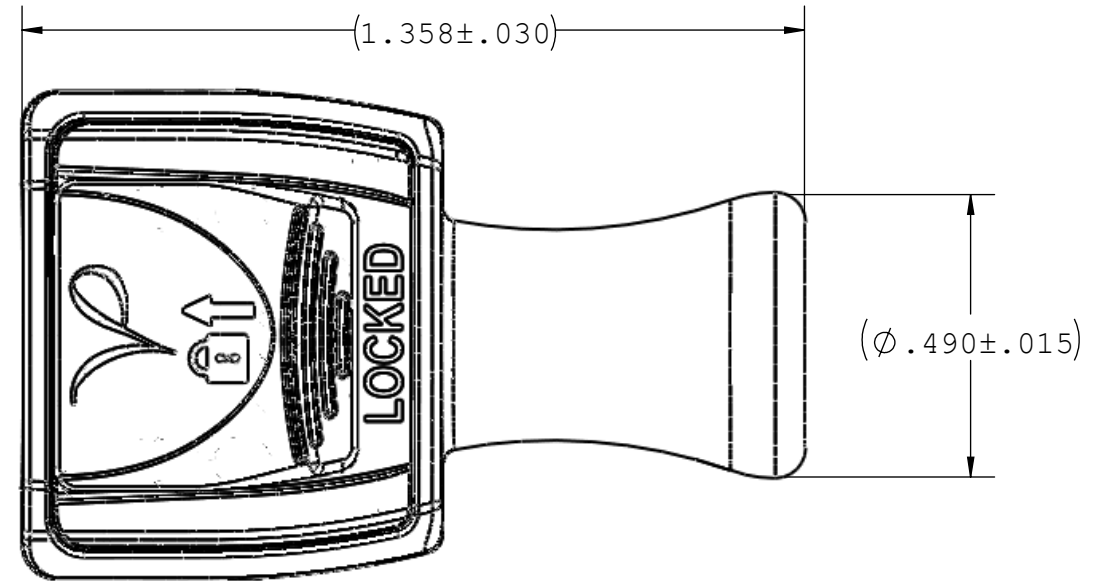
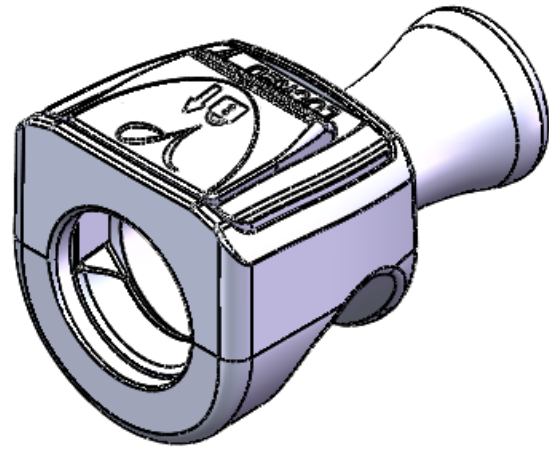


NOTES: FOR ADDITIONAL DETAILS, PLEASE CONTACT VP CUSTOMER SERVICE  
 DIMENSIONS MARKED  $\square$  ARE CONTROL DIMENSIONS

REVISIONS			
REV.	DESCRIPTION	DATE	APPROVED
A	INITIAL RELEASE	09-19-14	H.L



UNLESS OTHERWISE SPECIFIED DIMENSIONS ARE IN INCHES TOLERANCES ARE:		<b>VALUE PLASTICS, INC</b>			
FRACTIONS    DECIMAL    ANGULAR ±            .XX ±.01       ± 1° .XXX ±.005 .XXXX ±.001		PART NUMBER: RQCFLC			
DO NOT SCALE DRAWING		DESCRIPTION: RQC Series Female Cap			
DRAWN BY: Frank.Lombardi	DATE: 9/19/2014	SIZE: <b>B</b>	SCALE: NTS	VER: 	DWG. NO. 1032190
MANAGER: Ravi Narayanan		© 2013 VALUE PLASTICS, INC			REV A
SHEET: 1 OF 1					

**FOR REFERENCE ONLY**