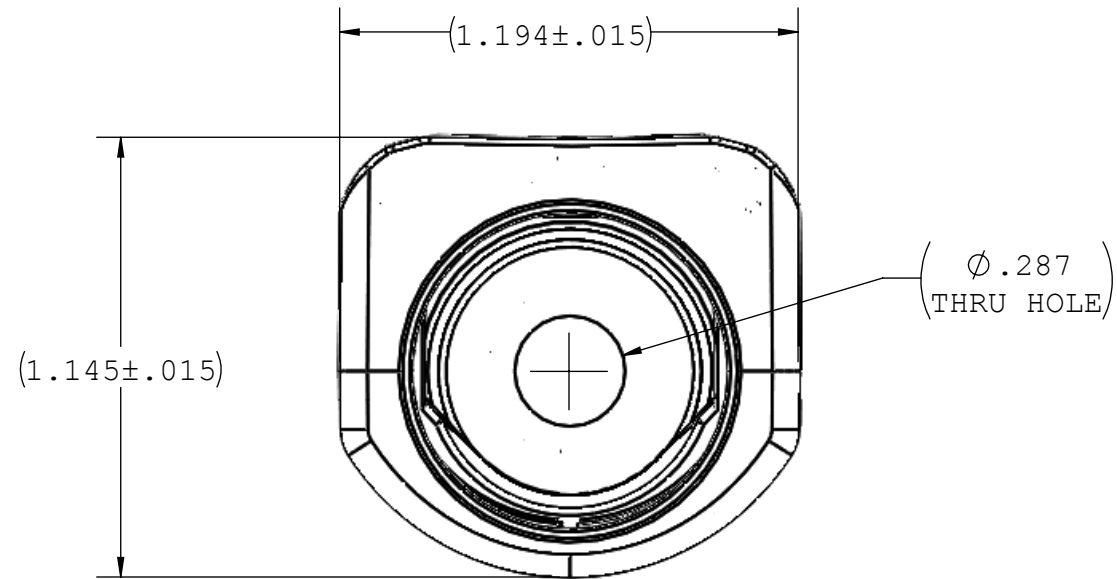
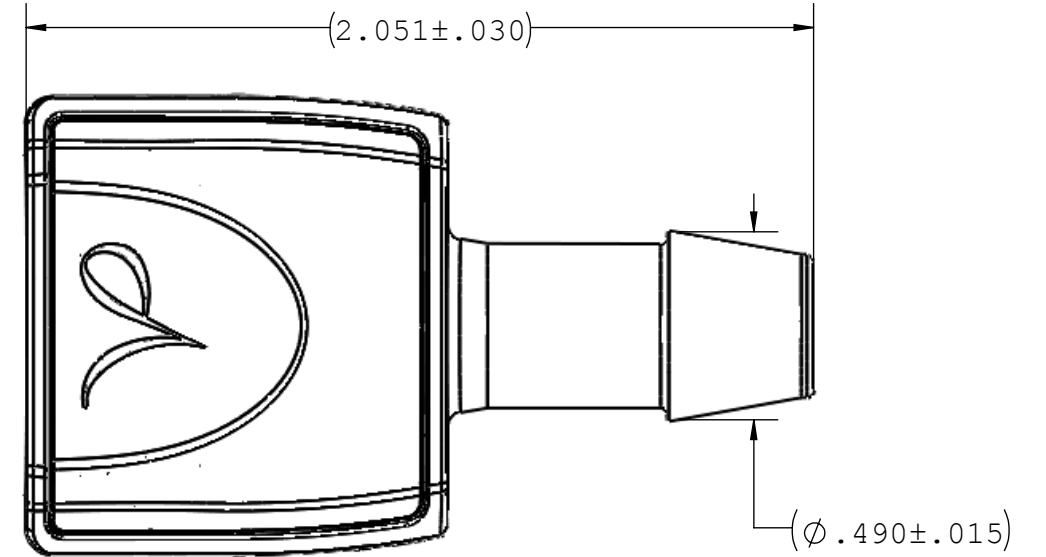
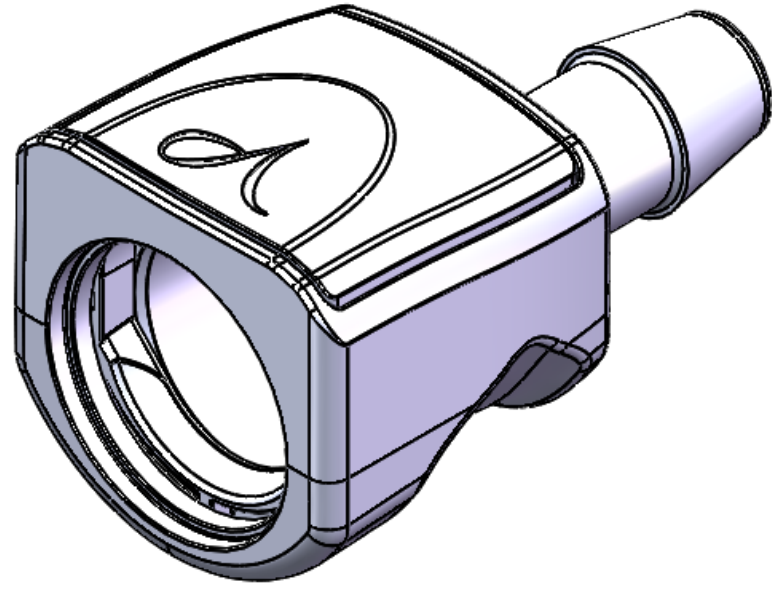
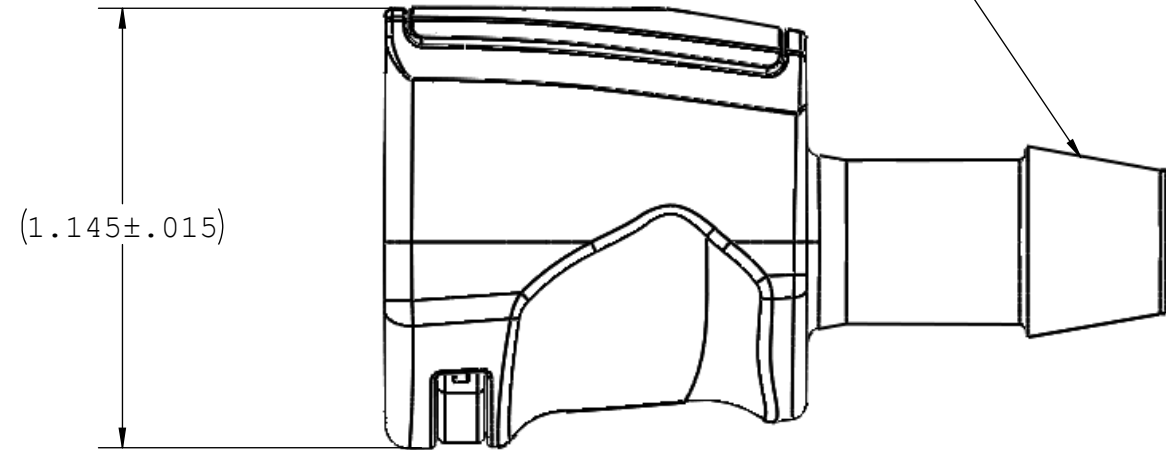


NOTES: FOR ADDITIONAL DETAILS, PLEASE CONTACT VP CUSTOMER SERVICE  
 DIMENSIONS MARKED  $\square$  ARE CONTROL DIMENSIONS

REVISIONS			
REV.	DESCRIPTION	DATE	APPROVED
A	INITIAL RELEASE	11-13-15	H.L



INSTRUMENT QUALITY PART. NO PARTING LINE PERMITTED ON THIS CONICAL SURFACE



UNLESS OTHERWISE SPECIFIED  
 DIMENSIONS ARE IN INCHES  
 TOLERANCES ARE:

FRACTIONS	DECIMAL	ANGULAR
±	.XX ±.01	± 1°
	.XXX ±.005	
	.XXXX ±.001	

DO NOT SCALE DRAWING

**VALUE PLASTICS, INC**

PART NUMBER: RQXF670

DESCRIPTION: RQX Series Female Open Flow Connector, 600 Series Barb, 3/8" (9.5 mm) ID Tubing

DRAWN BY: Frank.Lombardi	DATE: 11/16/2015	SIZE: <b>B</b>	SCALE: NTS	VER:	DWG. NO. 1033248	REV A
MANAGER: Huadong Lou					© 2013 VALUE PLASTICS, INC	SHEET: 1 OF 1

**FOR REFERENCE ONLY**