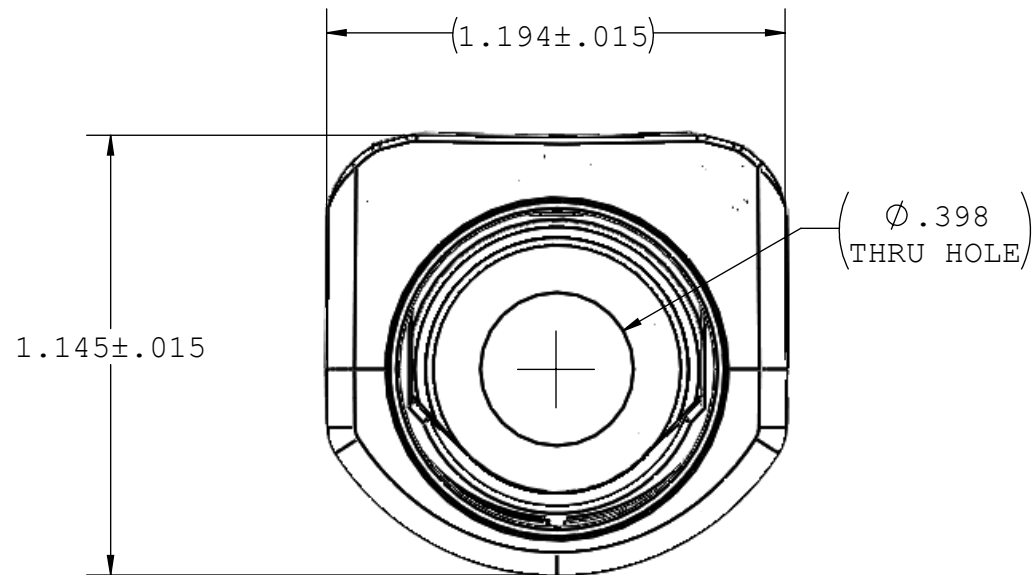
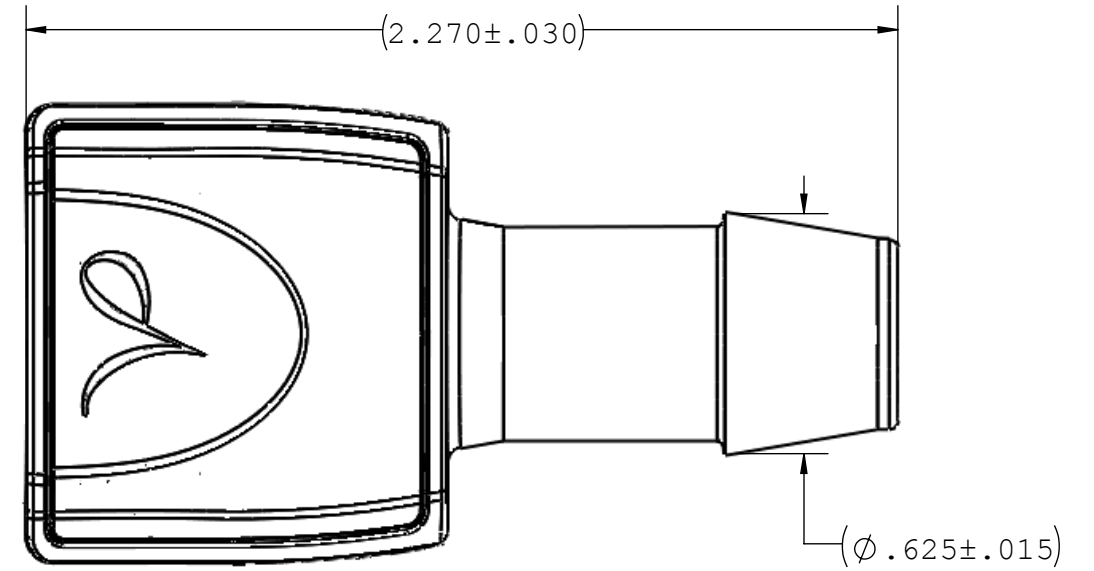
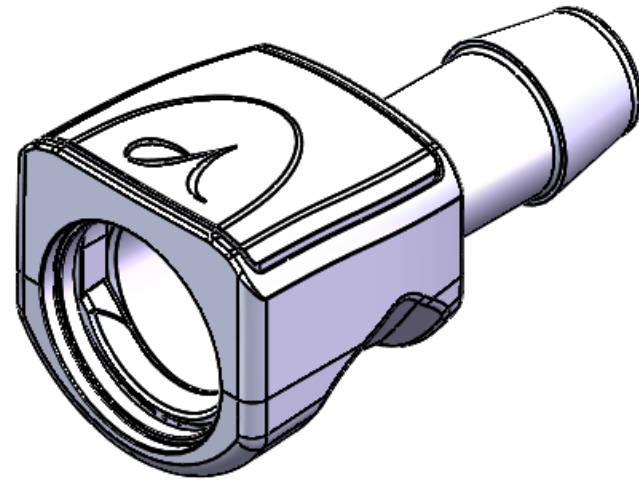
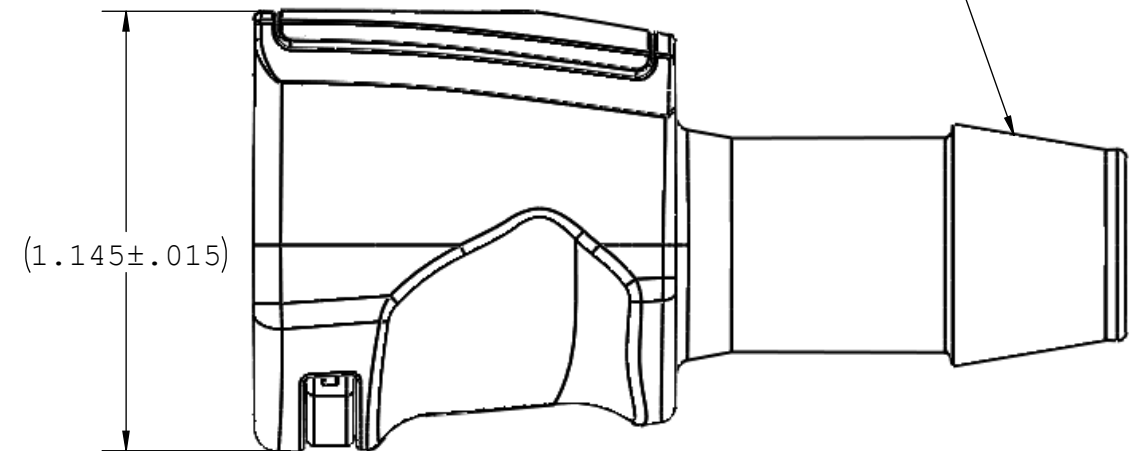


NOTES: FOR ADDITIONAL DETAILS, PLEASE CONTACT VP CUSTOMER SERVICE  
 DIMENSIONS MARKED  $\square$  ARE CONTROL DIMENSIONS

REVISIONS			
REV.	DESCRIPTION	DATE	APPROVED
A	INITIAL RELEASE	11-13-15	H.L



INSTRUMENT QUALITY PART. NO PARTING LINE PERMITTED ON THIS CONICAL SURFACE



UNLESS OTHERWISE SPECIFIED DIMENSIONS ARE IN INCHES TOLERANCES ARE:		<b>VALUE PLASTICS, INC</b>			
FRACTIONS	DECIMAL				
± .XX	± .01	± 1°	DESCRIPTION:	RQX Series Female Open Flow Connector, 600 Series Barb, 1/2" (12.5 mm) ID Tubing	
± .XXX	± .005		SIZE:	<b>B</b>	
± .XXXX	± .001		SCALE:	NTS	
DO NOT SCALE DRAWING		VER:	DWG. NO.	1033249	
DRAWN BY:	DATE:	REV:		A	
Frank.Lombardi	11/16/2015				
MANAGER:		© 2013 VALUE PLASTICS, INC		SHEET: 1 OF 1	
Huadong Lou					

**FOR REFERENCE ONLY**