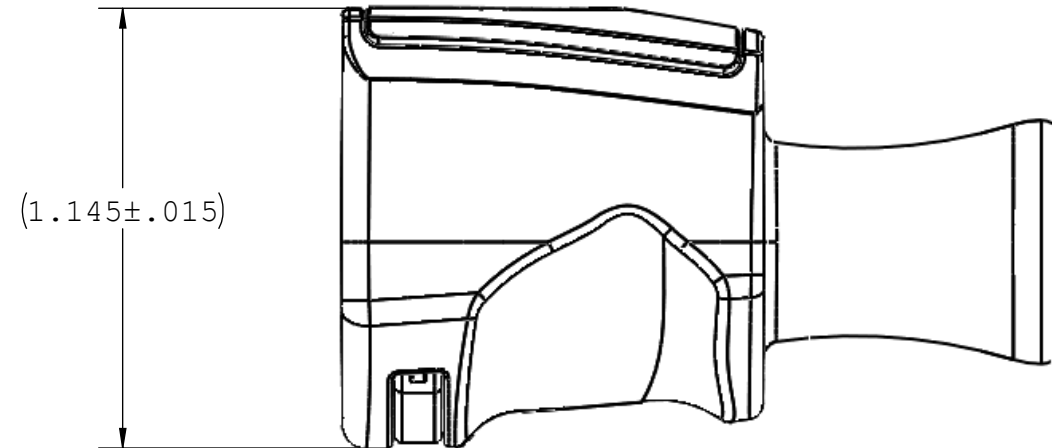
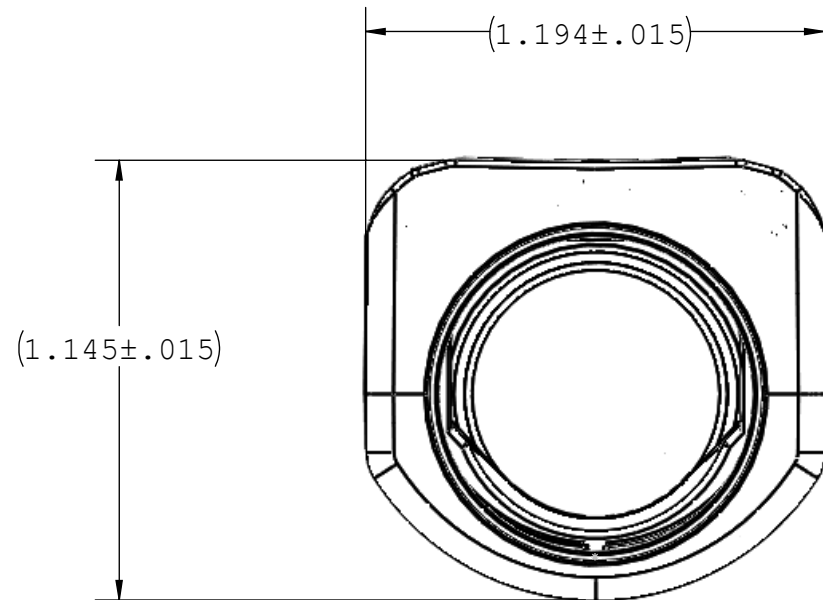
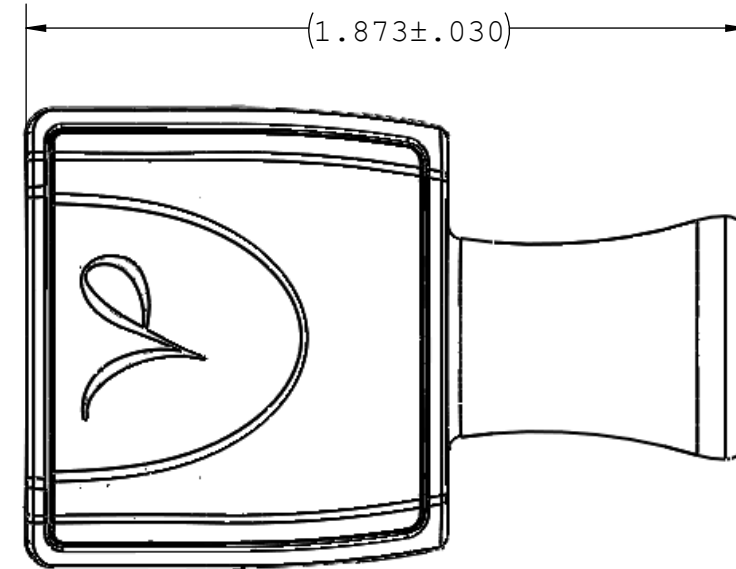
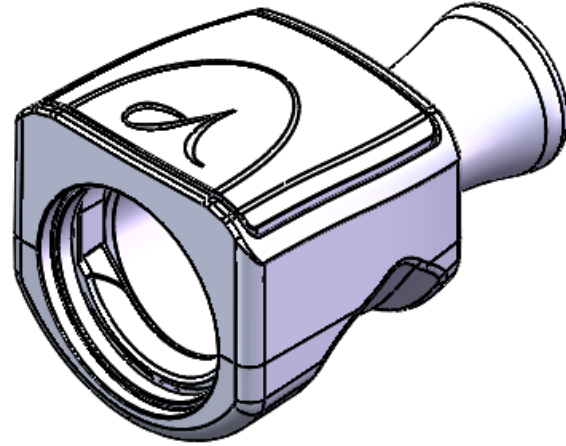


NOTES: FOR ADDITIONAL DETAILS, PLEASE CONTACT VP CUSTOMER SERVICE
 DIMENSIONS MARKED  ARE CONTROL DIMENSIONS

REVISIONS			
REV.	DESCRIPTION	DATE	APPROVED
A	INITIAL RELEASE	11-13-15	H.L



UNLESS OTHERWISE SPECIFIED DIMENSIONS ARE IN INCHES TOLERANCES ARE:		VALUE PLASTICS, INC			
FRACTIONS DECIMAL ANGULAR ± .XX ±.01 ± 1° .XXX ±.005 .XXXX ±.001		PART NUMBER: RQXFC			
DO NOT SCALE DRAWING		DESCRIPTION: RQX Series Female Cap			
DRAWN BY: Frank.Lombardi	DATE: 11/16/2015	SIZE: B	SCALE: NTS	VER: 	DWG. NO. 1033250
MANAGER: Huadong Lou		© 2013 VALUE PLASTICS, INC			REV A
				SHEET:	1 OF 1

FOR REFERENCE ONLY