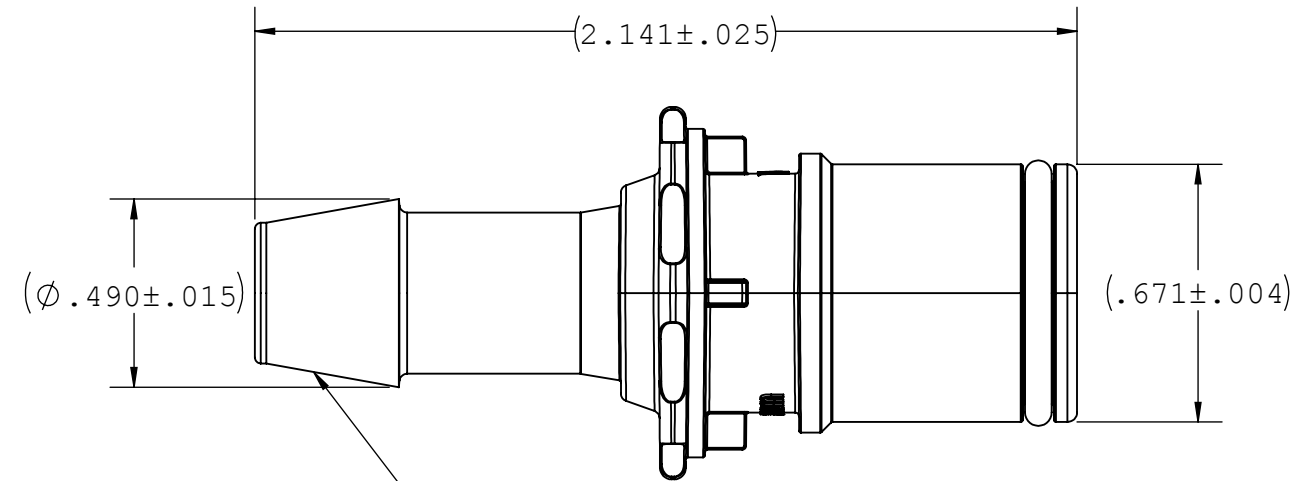
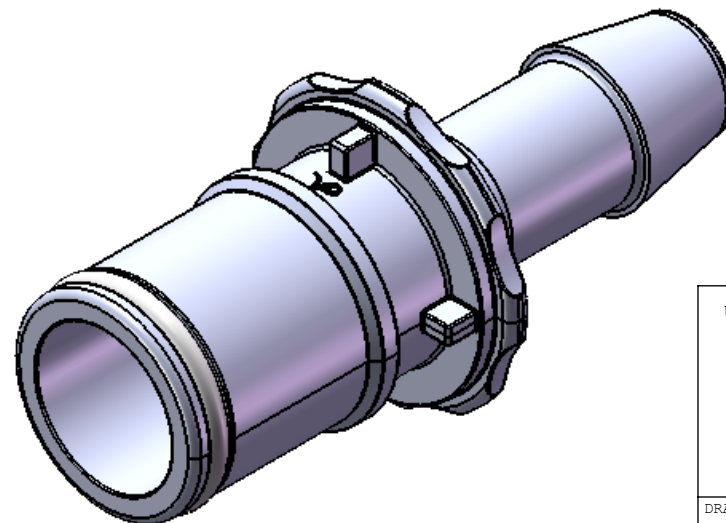
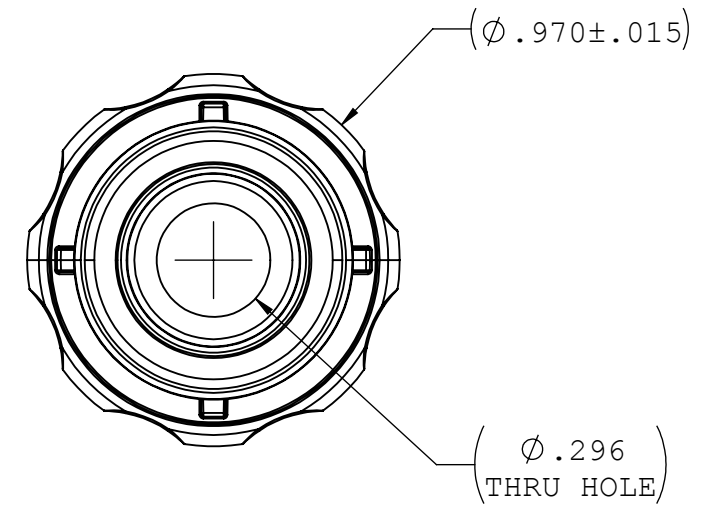


NOTES: FOR MORE DETAILS SEE YOUR V.P. SERVICE REP.

REVISIONS			
REV.	DESCRIPTION	DATE	APPROVED
A	INITIAL RELEASE	08-08-14	H.L
B	ECO 306	10-28-15	H.L



INSTRUMENT QUALITY PART. NO PARTING LINE PERMITTED ON THIS CONICAL SURFACE



UNLESS OTHERWISE SPECIFIED DIMENSIONS ARE IN INCHES TOLERANCES ARE:		<b>VALUE PLASTICS, INC</b>					
FRACTIONS	DECIMAL					ANGULAR	
± .XX	± .01	± 1°	PART NUMBER: RQXM670				
± .XXX	± .005		DESCRIPTION: RQX Series Male Open Flow Connector, 600 Series Barb, 3/8" (9.5 mm) ID Tubing				
± .XXXX	± .001		SIZE: <b>B</b>	SCALE: NTS	VER:	DWG. NO. 1027051	REV: B
DO NOT SCALE DRAWING			© 2011 VALUE PLASTICS, INC		SHEET: 1 OF 1		
DRAWN BY: Frank.Lombardi	DATE: 10/28/2015						
MANAGER: Huasong L.							

**FOR REFERENCE ONLY**