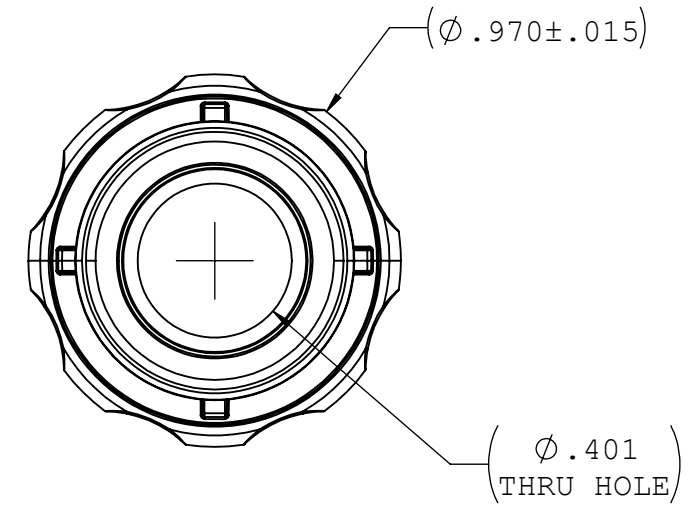
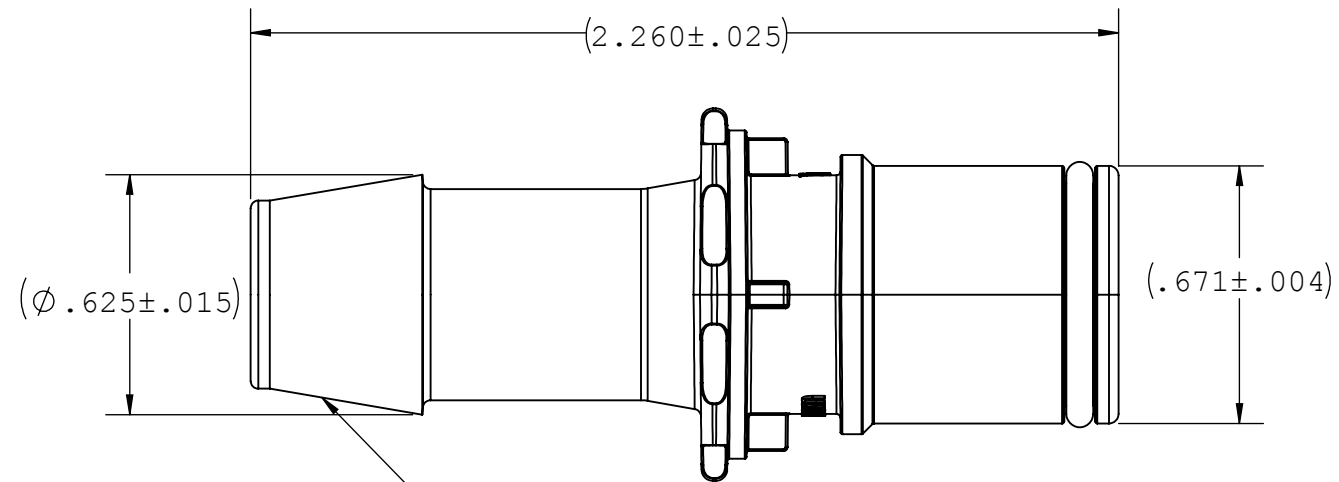
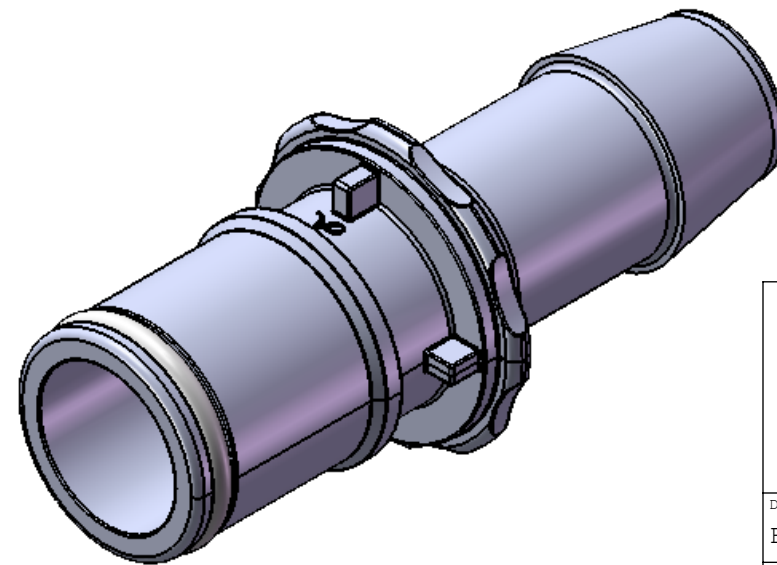


NOTES: FOR MORE DETAILS SEE YOUR V.P. SERVICE REP.

REVISIONS			
REV.	DESCRIPTION	DATE	APPROVED
A	INITIAL RELEASE	08-08-14	H.L
B	ECO 306	10-28-15	H.L



INSTRUMENT QUALITY PART. NO PARTING LINE PERMITTED ON THIS CONICAL SURFACE



UNLESS OTHERWISE SPECIFIED DIMENSIONS ARE IN INCHES TOLERANCES ARE:		VALUE PLASTICS, INC			
FRACTIONS	DECIMAL				
± .XX	± .01	± 1°	DESCRIPTION:	RQX Series Male Open Flow Connector, 600 Series Barb, 1/2" (12.7 mm) ID Tubing	
± .XXX	± .005		DRAWN BY:	Frank.Lombardi	
± .XXXX	± .001		DATE:	10/28/2015	
DO NOT SCALE DRAWING			SIZE:	B	
			SCALE:	NTS	
			VER:		
			DWG. NO.:	1027052	
MANAGER:			REV:	B	
Huadong L.			© 2011 VALUE PLASTICS, INC		
			SHEET:	1 OF 1	

FOR REFERENCE ONLY