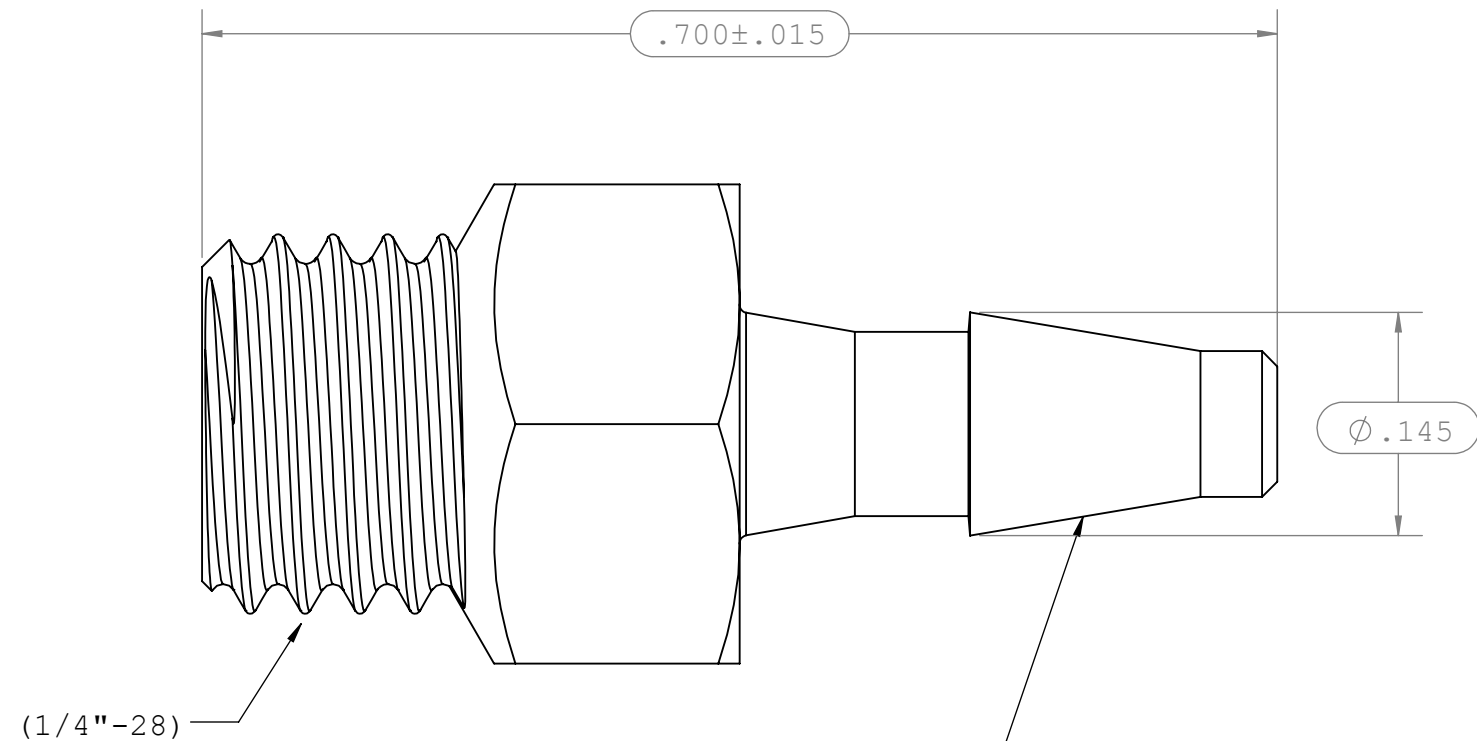
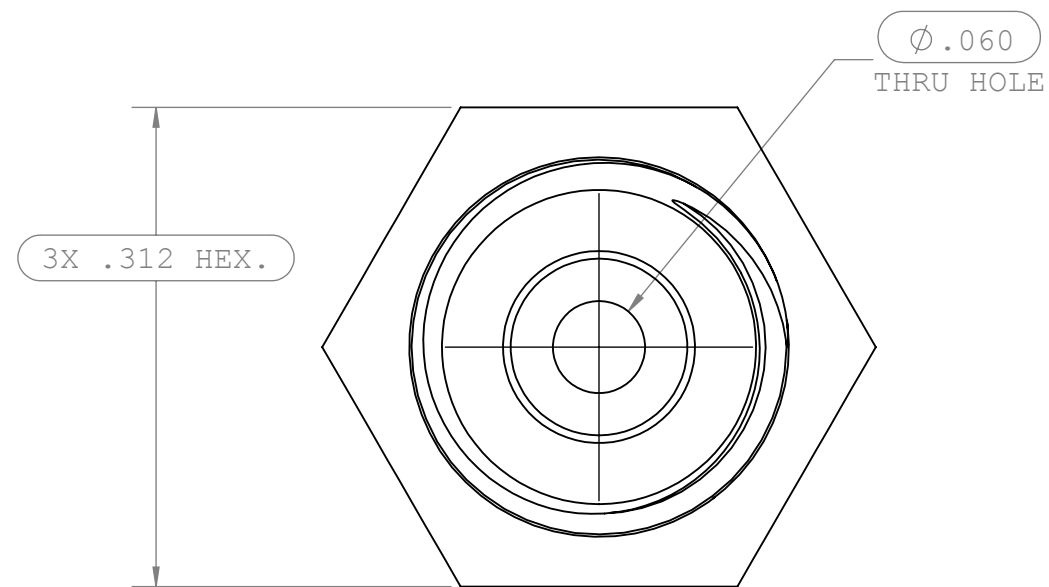


NOTES: 1.FOR ADDITIONAL DETAILS, PLEASE CONTACT VP NEW PRODUCT DEVELOPMENT

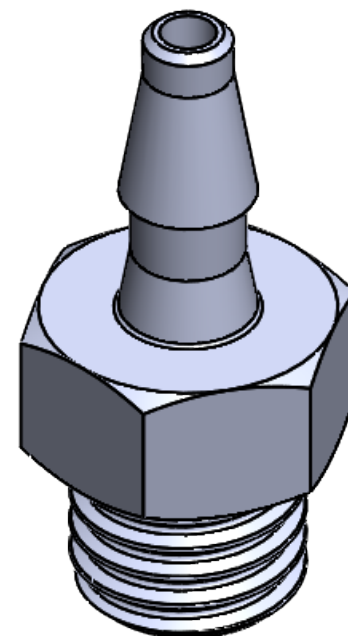
2.DIMENSIONS MARKED   ARE CONTROL DIMENSIONS

3.VERIFY THREAD USING 1/4"-28 PD .2258 GO THREAD GAUGE

REVISIONS			
REV.	DESCRIPTION	DATE	APPROVED
A	INITIAL RELEASE	06-19-98	
B	CO 031 DRAFTING UPDATE	01-17-06	RICK C.
C	ECO 358	03-20-17	FJL



INSTRUMENT QUALITY PART. NO PARTING LINE PERMITTED ON THIS CONICAL SURFACE



UNLESS OTHERWISE SPECIFIED DIMENSIONS ARE IN INCHES TOLERANCES ARE:		<b>VALUE PLASTICS, INC</b>			
FRACTIONS    DECIMAL    ANGULAR ±            .XX ±.01            ± 1° .XXX ±.005 .XXXX ±.001		PART NUMBER: S20			
DO NOT SCALE DRAWING		DESCRIPTION: 1/4"-28 THREAD WITH 5/16" HEX TO CLASSIC SERIES BARB, 3/32" (2.25 mm) ID TUBING			
DRAWN BY: BRYCE HIRSCHFELD	DATE: 3/20/2017	SIZE: <b>B</b>	SCALE: NTS	VER: 	DWG. NO. 1007776
MANAGER: DOUG KIMMEL		© 2014 VALUE PLASTICS, INC			REV C
				SHEET: 1 OF 1	

**FOR REFERENCE ONLY**