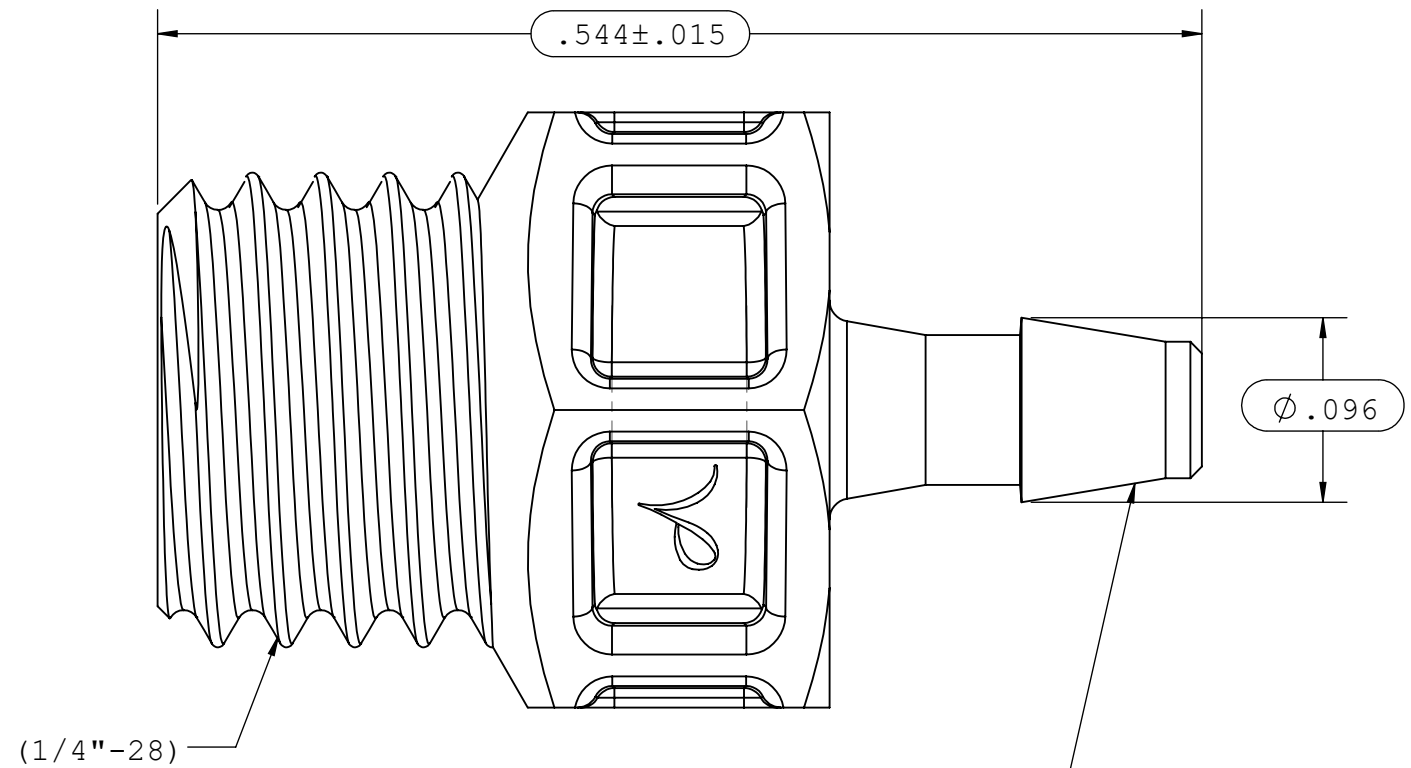
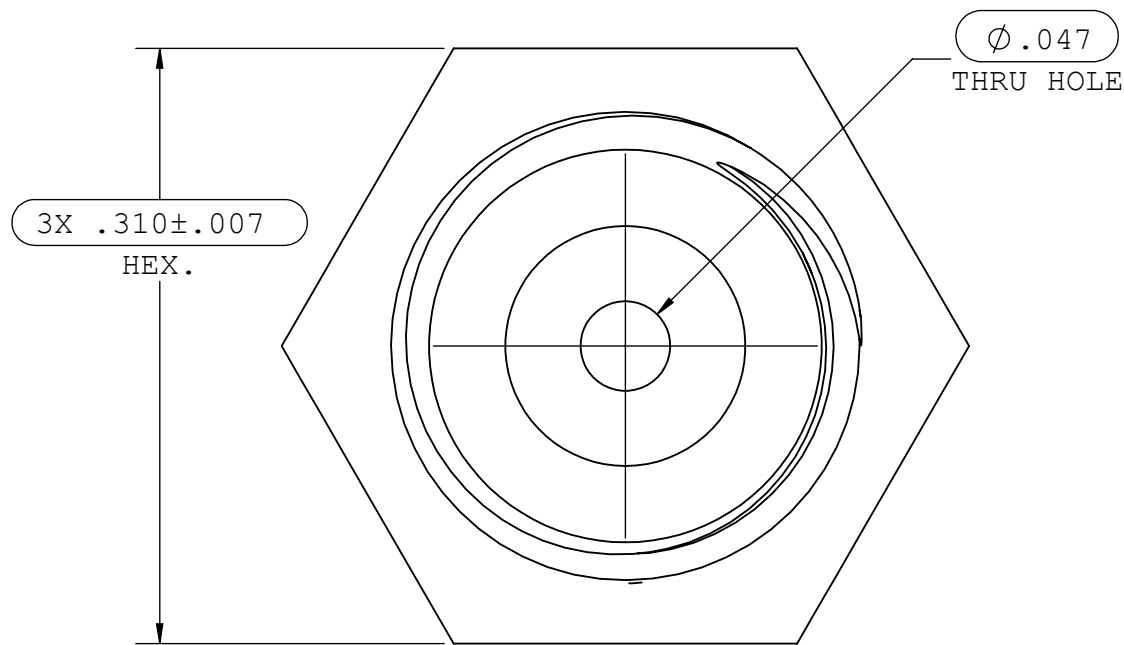


NOTES: 1.FOR ADDITIONAL DETAILS, PLEASE CONTACT VP NEW PRODUCT DEVELOPMENT

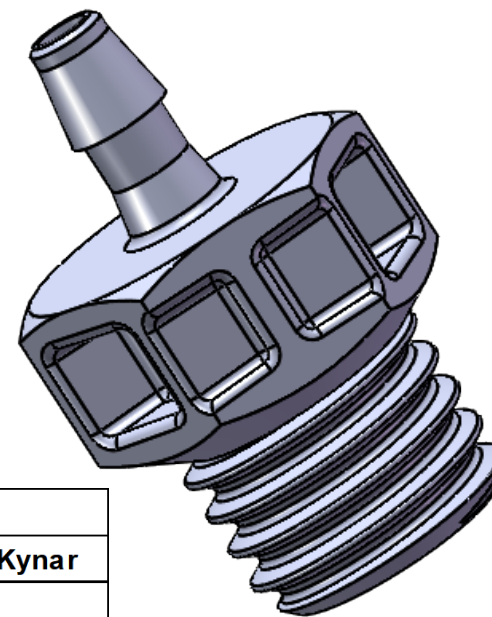
2.DIMENSIONS MARKED  ARE CONTROL DIMENSIONS

3.VERIFY THREAD USING CG118 1/4"-28 FUNCTIONAL THREAD GAUGE

REVISIONS			
REV.	DESCRIPTION	DATE	APPROVED
A	INITIAL RELEASE	06-10-98	
B	CO 027 DRAFTING UPDATE	10-10-05	Rick C.
C	ECO 285 ECO 358	02-08-17	FJL
D	ECO 1079196	01-31-20	FJL



INSTRUMENT QUALITY PART.
NO PARTING LINE PERMITTED
ON THIS CONICAL SURFACE.



Dimension	Material Specific Tolerances							
	Acetal	Nylon	PP	ABS	PC	PVC	Polysulfone	Kynar
A								
B								
C								
D								
E								
F								

UNLESS OTHERWISE SPECIFIED
DIMENSIONS ARE IN INCHES
TOLERANCES ARE:
FRACTIONS DECIMAL ANGULAR
± .XX ±.01 ± 1°
± .XXX ±.005
± .XXXX ±.001
DO NOT SCALE DRAWING

VALUE PLASTICS, INC

PART NUMBER:		S210		
DESCRIPTION:		1/4-28 Thread with 5/16" Hex to 200 Series Barb, 1/16" (1.5 mm) ID Tubing		
DRAWN BY:	DATE:	SIZE:	SCALE:	VER:
shannond	1/31/2020	B	NTS	
MANAGER:		DWG. NO.		REV
huadong.lou		1007465		D
© 2011 VALUE PLASTICS, INC				SHEET: 1 OF 1

FOR REFERENCE ONLY