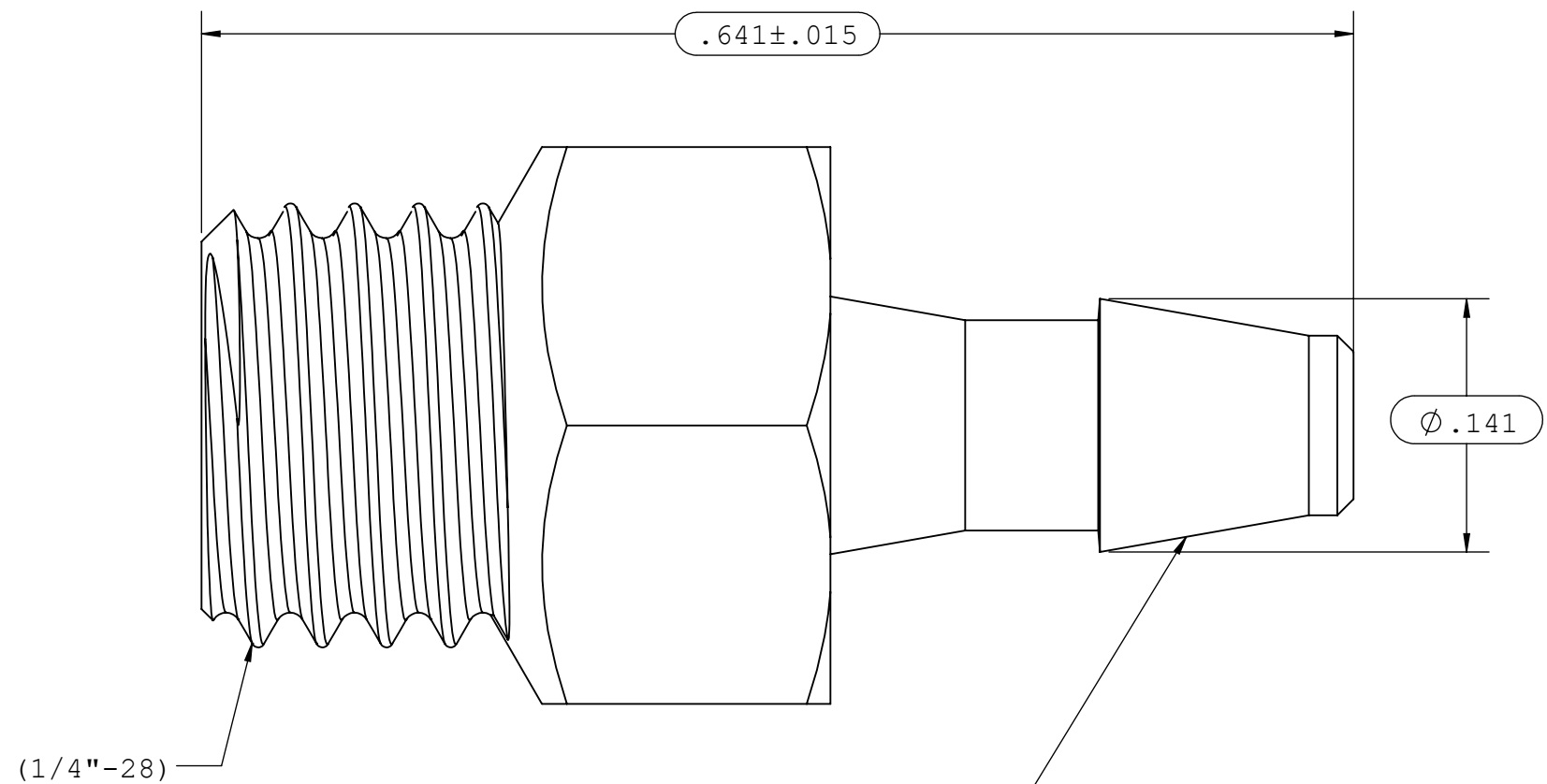
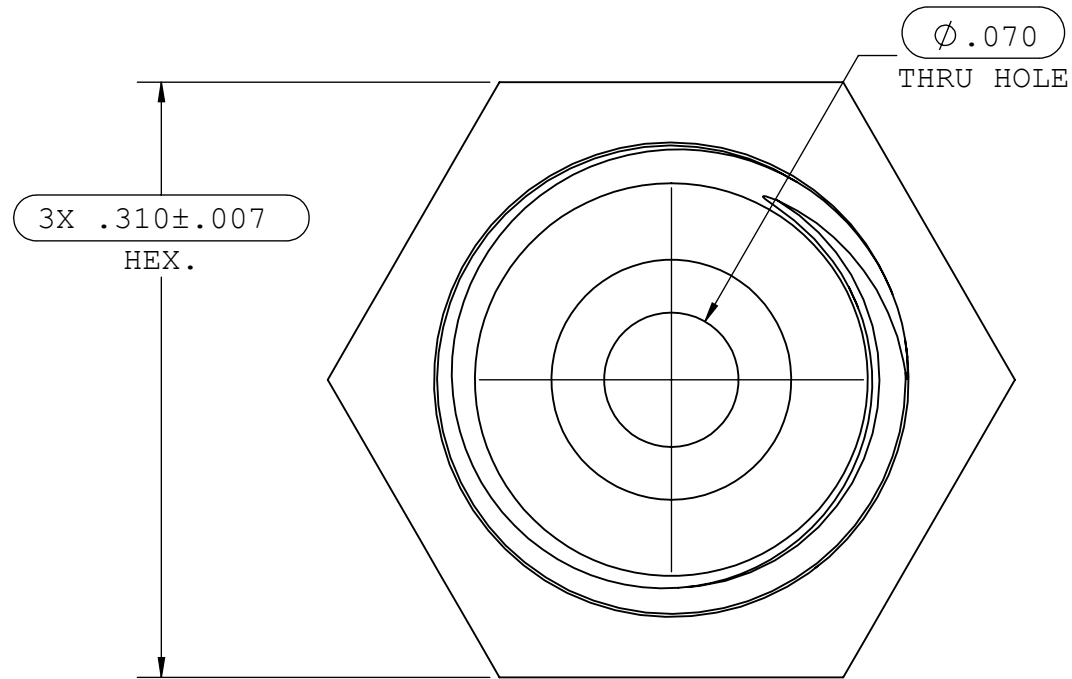
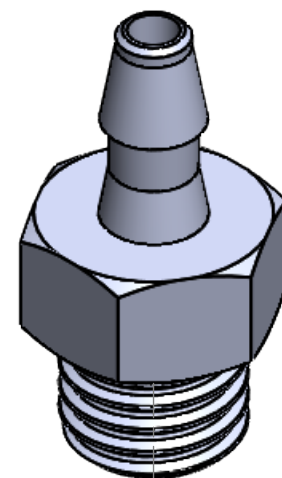


NOTES: 1.FOR ADDITIONAL DETAILS, PLEASE CONTACT VP NEW PRODUCT DEVELOPMENT  
 2.DIMENSIONS MARKED  $\phi$  ARE CONTROL DIMENSIONS  
 3.VERIFY THREAD USING CG118 1/4"-28 FUNCTIONAL THREAD GAUGE

REVISIONS			
REV.	DESCRIPTION	DATE	APPROVED
A	INITIAL RELEASE	06-10-98	
B	CO 031 DRAFTING UPDATE	01-17-06	RICK C.
C	ECO 358	03-20-17	FJL
D	ECO 1079196	01-31-20	FJL



INSTRUMENT QUALITY PART. NO PARTING LINE PERMITTED ON THIS CONICAL SURFACE



UNLESS OTHERWISE SPECIFIED DIMENSIONS ARE IN INCHES TOLERANCES ARE:		<b>VALUE PLASTICS, INC</b>			
FRACTIONS    DECIMAL    ANGULAR $\pm$ .XX $\pm$ .01 $\pm$ 1° .XXX $\pm$ .005 .XXXX $\pm$ .001 DO NOT SCALE DRAWING		PART NUMBER: S220			
DESCRIPTION: 1/4"-28 THREAD WITH 5/16" HEX TO 200 SERIES BARB, 3/32" (2.25 mm) ID TUBING		SIZE: <b>B</b>	SCALE: NTS	VER:	DWG. NO. 1007775
DRAWN BY: BRYCE HIRSCHFELD	DATE: 1/31/2020	© 2014 VALUE PLASTICS, INC			REV: D
MANAGER: DOUG KIMMEL		SHEET: 1 OF 1			

**FOR REFERENCE ONLY**