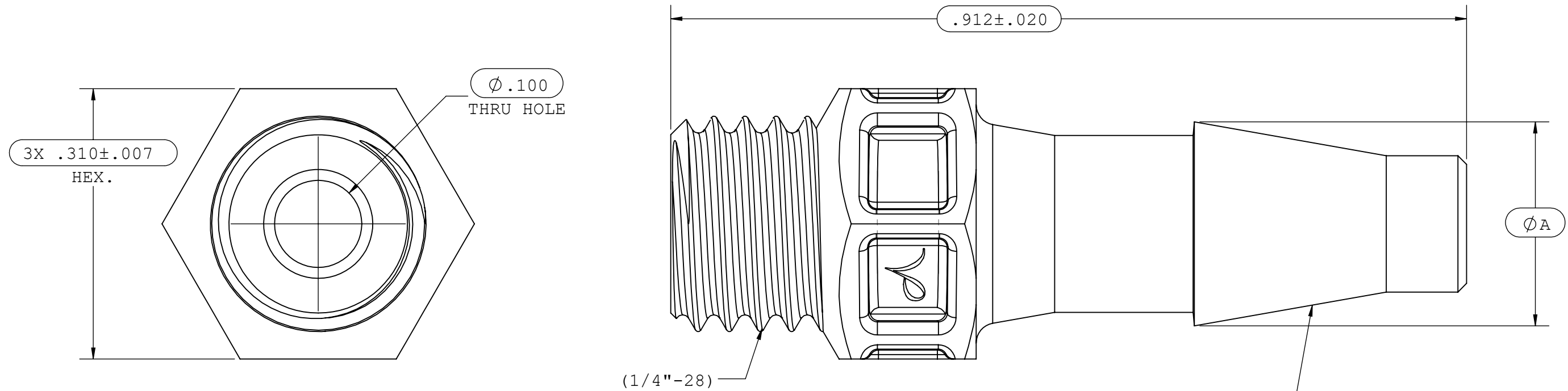
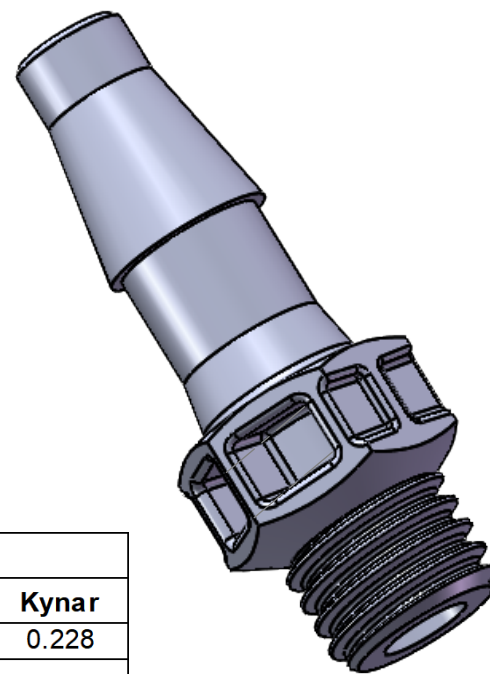


NOTES: 1.FOR ADDITIONAL DETAILS, PLEASE CONTACT VP NEW PRODUCT DEVELOPMENT
 2.DIMENSIONS MARKED \varnothing ARE CONTROL DIMENSIONS
 3.VERIFY THREAD USING CG118 1/4"-28 FUNCTIONAL THREAD GAUGE

REVISIONS			
REV.	DESCRIPTION	DATE	APPROVED
A	INITIAL RELEASE	06-19-98	
B	CO 031 DRAFTING UPDATE	01-17-06	Rick C.
C	ECO 285 ECO 358	02-08-17	FJL
D	ECO 1079196	01-31-20	FJL



INSTRUMENT QUALITY PART.
 NO PARTING LINE PERMITTED
 ON THIS CONICAL SURFACE.



Dimension	Material Specific Tolerances							
	Acetal	Nylon	PP	ABS	PC	PVC	Polysulfone	Kynar
A	0.234	0.228	0.234	0.234	0.234	0.234	0.234	0.228
B								
C								
D								
E								
F								

UNLESS OTHERWISE SPECIFIED DIMENSIONS ARE IN INCHES TOLERANCES ARE:		VALUE PLASTICS, INC			
FRACTIONS	DECIMAL				
± .XX	± .01	± 1°	DESCRIPTION:	1/4-28 Thread with 5/16" Hex to Classic Series Barb, 5/32" (4.0 mm) ID Tubing	
± .XXX	± .005		SIZE:	B	
± .XXXX	± .001		SCALE:	NTS	
DO NOT SCALE DRAWING		VER:	DWG. NO.	1007771	
DRAWN BY:	DATE:	REV:		D	
shannond	1/31/2020				
MANAGER:		© 2011 VALUE PLASTICS, INC		SHEET: 1 OF 1	
huadong.lou					

FOR REFERENCE ONLY