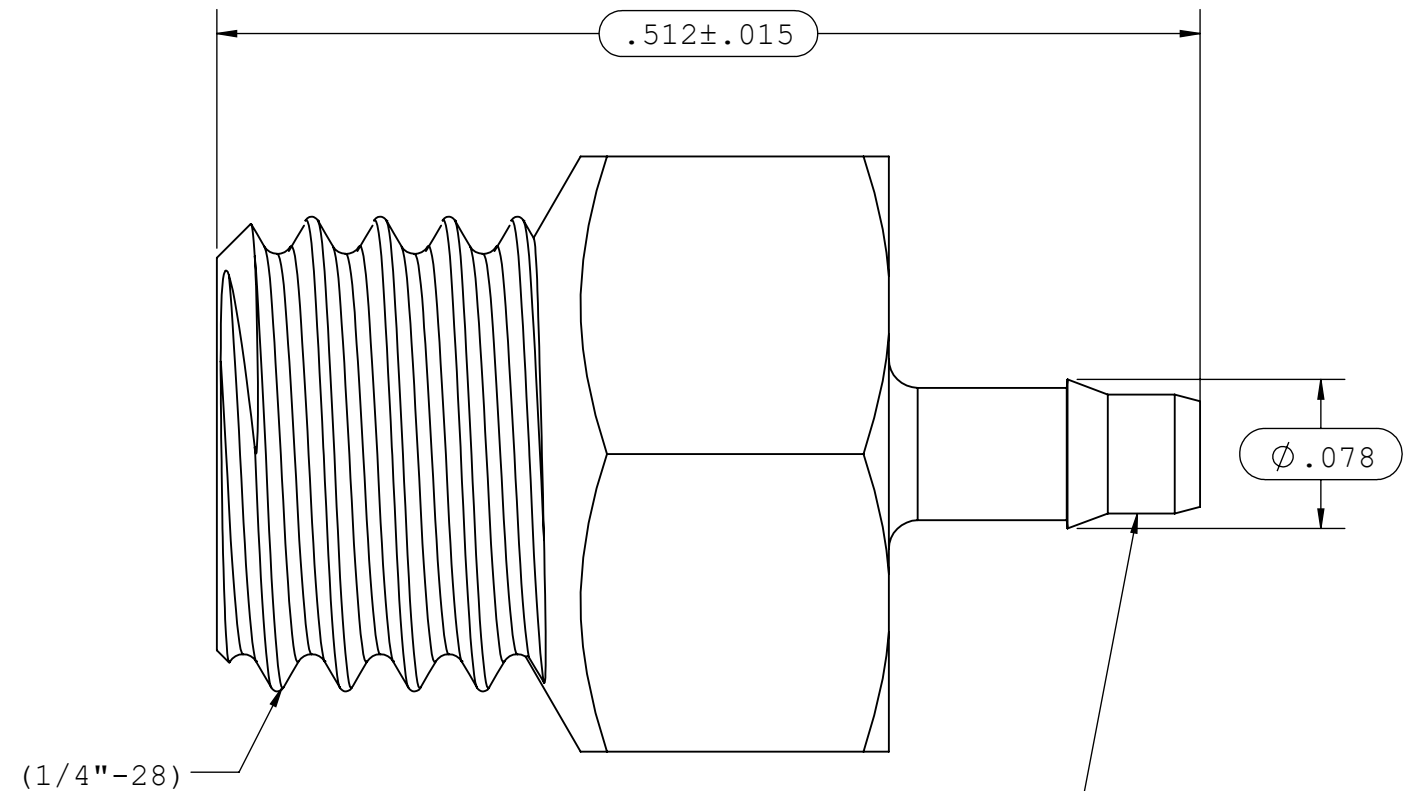
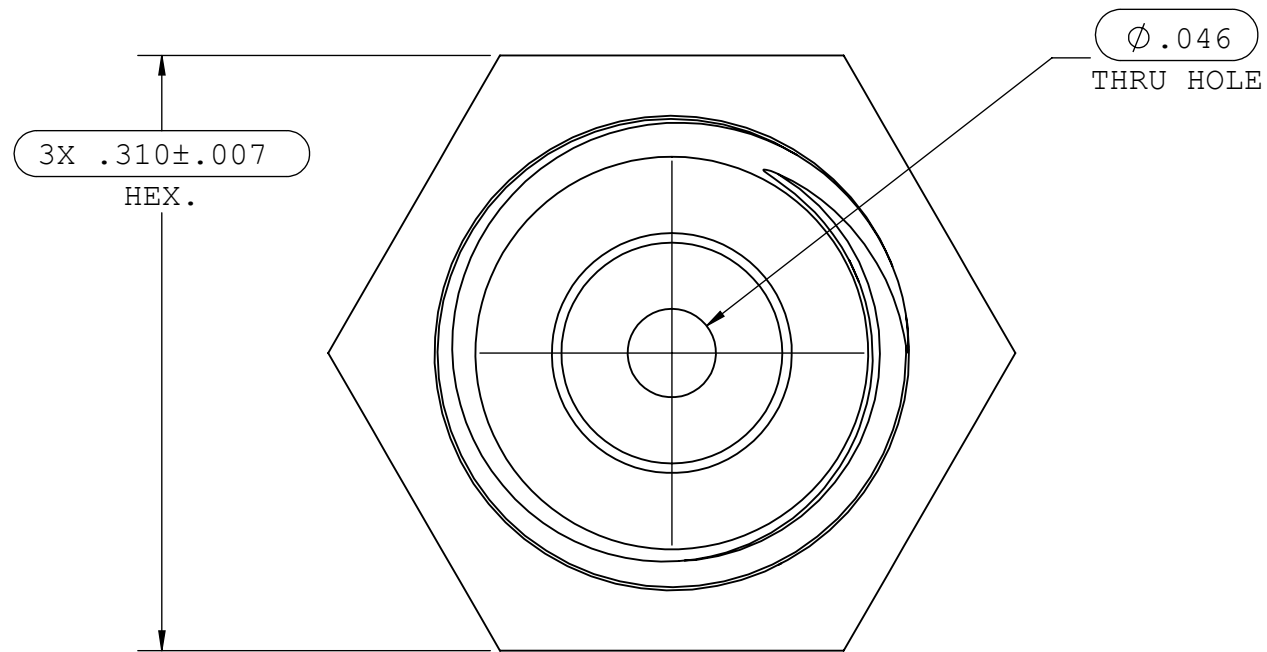
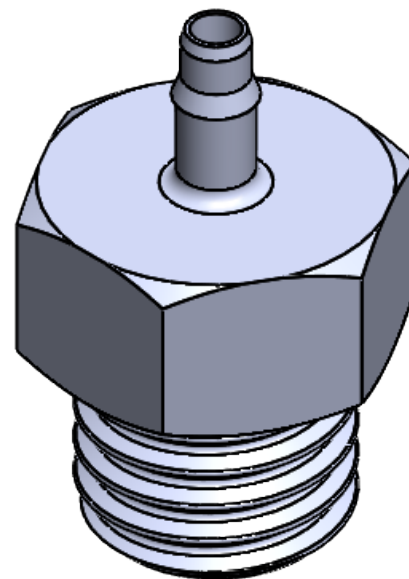


NOTES: 1.FOR ADDITIONAL DETAILS, PLEASE CONTACT VP NEW PRODUCT DEVELOPMENT
 2.DIMENSIONS MARKED $\text{\textcircled{\hspace{1cm}}}$ ARE CONTROL DIMENSIONS
 3.VERIFY THREAD USING CG118 1/4"-28 FUNCTIONAL THREAD GAUGE

REVISIONS			
REV.	DESCRIPTION	DATE	APPROVED
A	INITIAL RELEASE	06-12-98	
B	CO 031 DRAFTING UPDATE	01-17-06	RICK C.
C	ECO 358	03-20-17	FJL
D	ECO 1079196	01-31-20	FJL



INSTRUMENT QUALITY PART. NO PARTING LINE PERMITTED ON THIS CONICAL SURFACE



UNLESS OTHERWISE SPECIFIED DIMENSIONS ARE IN INCHES TOLERANCES ARE:		VALUE PLASTICS, INC			
FRACTIONS	DECIMAL				
$\pm .XX$	$\pm .01$	$\pm 1^\circ$	DESCRIPTION:	1/4"-28 THREAD WITH 5/16" HEX TO 400 SERIES BARB, 1/16" (1.5 mm) ID TUBING	
$\pm .XXX$	$\pm .005$		DRAWN BY:	BRYCE HIRSCHFELD	
$\pm .XXXX$	$\pm .001$		DATE:	1/31/2020	
DO NOT SCALE DRAWING			SIZE:	B	
			SCALE:	NTS	
			VER:		
			DWG. NO.:	1007770	
MANAGER:			REV:	D	
DOUG KIMMEL			© 2014 VALUE PLASTICS, INC		
			SHEET:	1 OF 1	

FOR REFERENCE ONLY