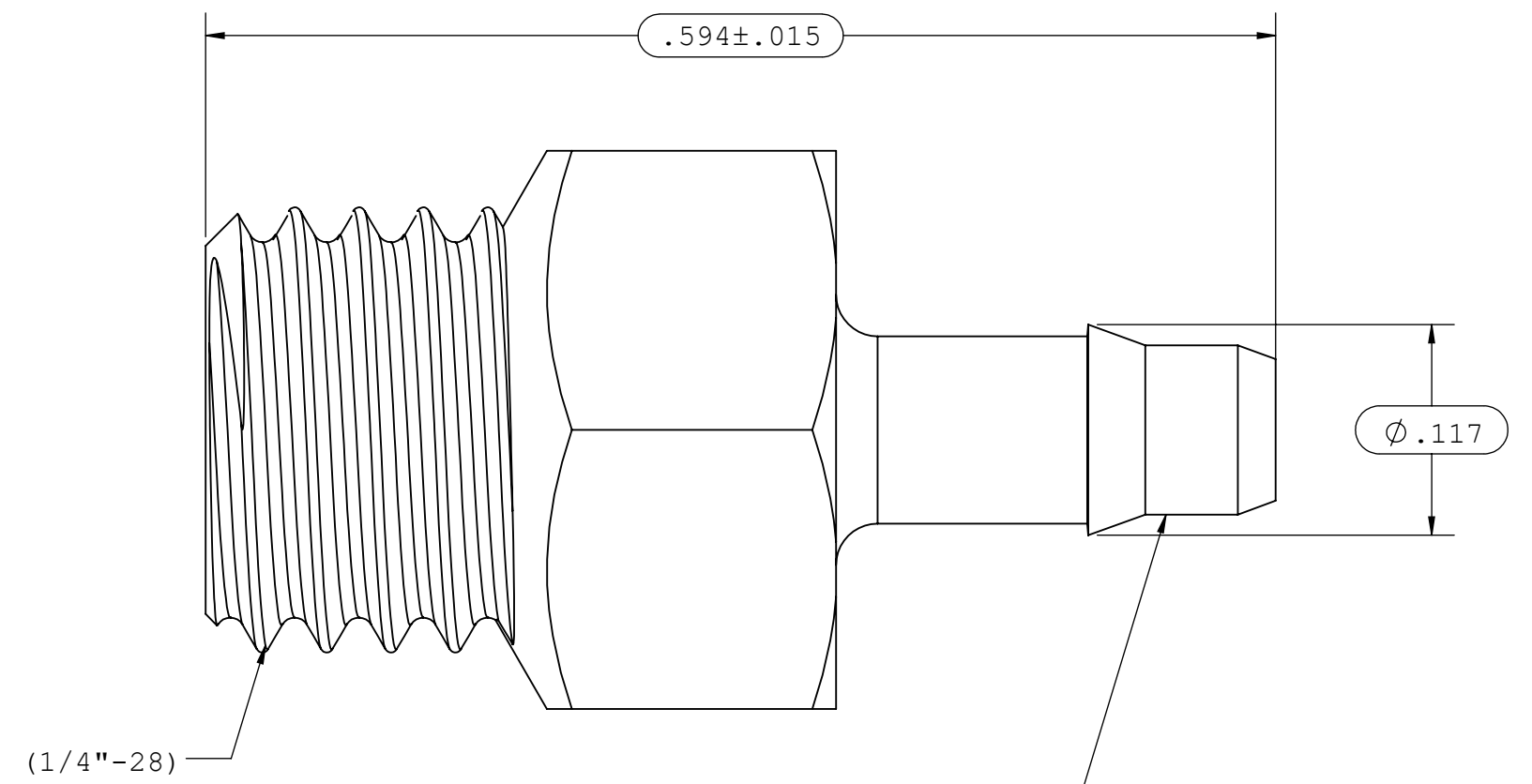
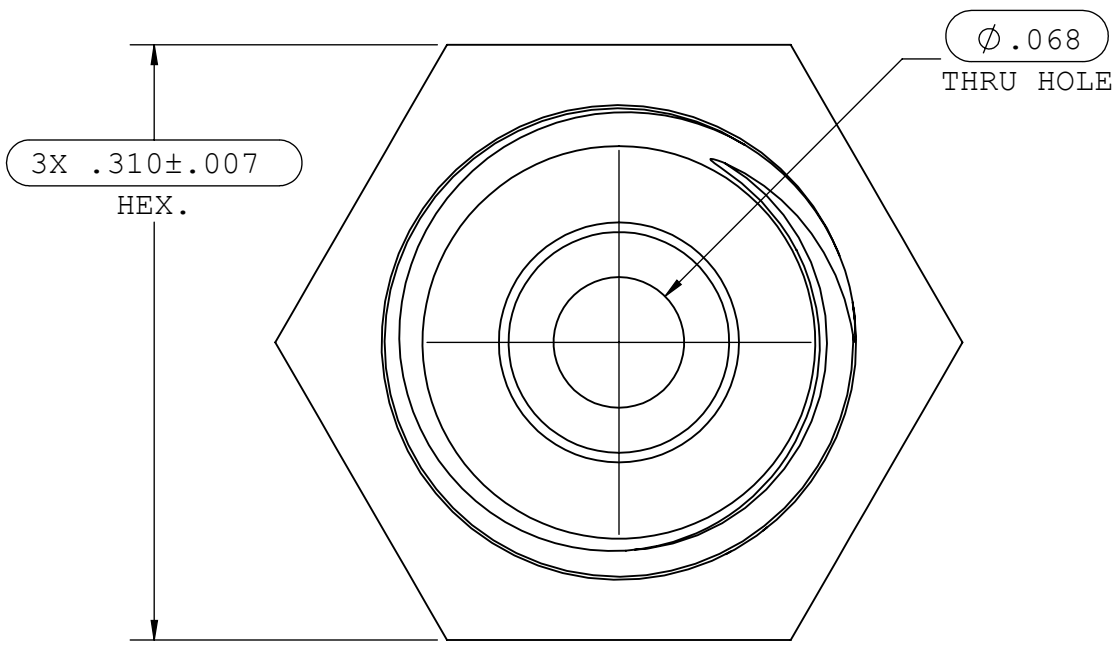
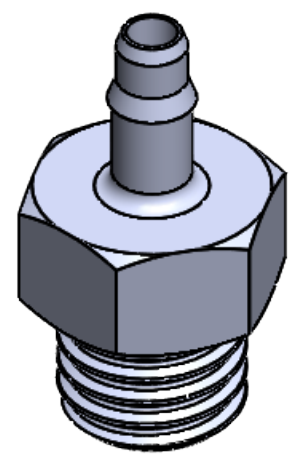


NOTES: 1.FOR ADDITIONAL DETAILS, PLEASE CONTACT VP NEW PRODUCT DEVELOPMENT
 2.DIMENSIONS MARKED $\text{\textcircled{\hspace{1cm}}}$ ARE CONTROL DIMENSIONS
 3.VERIFY THREAD USING CG118 1/4"-28 FUNCTIONAL THREAD GAUGE

REVISIONS			
REV.	DESCRIPTION	DATE	APPROVED
A	INITIAL RELEASE	06-12-98	
B	CO 031 DRAFTING UPDATE	01-17-06	RICK C.
C	ECO 358	03-20-17	FJL
D	ECO 1079196	01-31-20	FJL



INSTRUMENT QUALITY PART. NO PARTING LINE PERMITTED ON THIS CONICAL SURFACE



UNLESS OTHERWISE SPECIFIED DIMENSIONS ARE IN INCHES TOLERANCES ARE:		VALUE PLASTICS, INC			
FRACTIONS DECIMAL ANGULAR \pm .XX $\pm .01$ $\pm 1^\circ$.XXX $\pm .005$.XXXX $\pm .001$		PART NUMBER: S420			
DO NOT SCALE DRAWING		DESCRIPTION: 1/4"-28 THREAD WITH 5/16" HEX TO 400 SERIES BARB, 3/32" (2.25 mm) ID TUBING			
DRAWN BY: BRYCE HIRSCHFELD	DATE: 1/31/2020	SIZE: B	SCALE: NTS	VER: 	DWG. NO. REV 1007769 D
MANAGER: LOU HUADONG		© 2014 VALUE PLASTICS, INC			SHEET: 1 OF 1

FOR REFERENCE ONLY