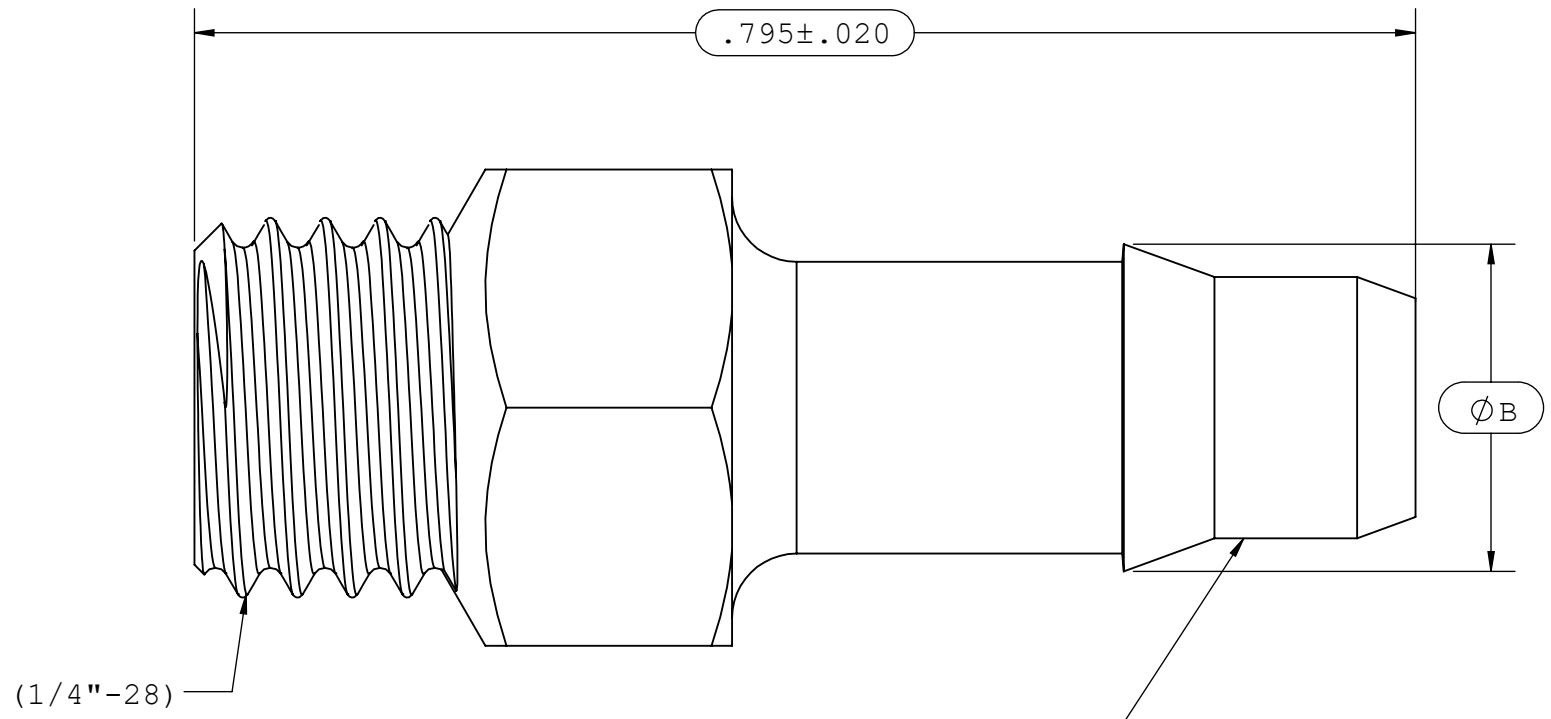
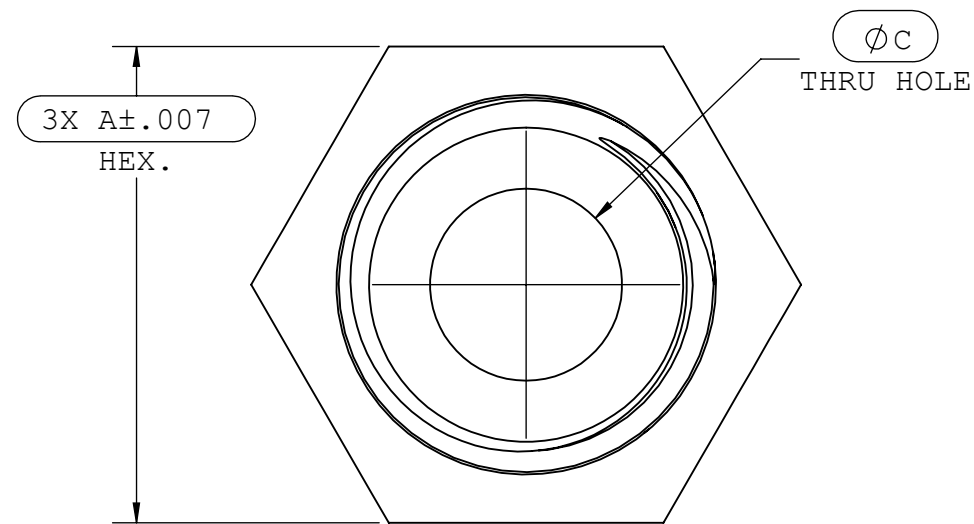
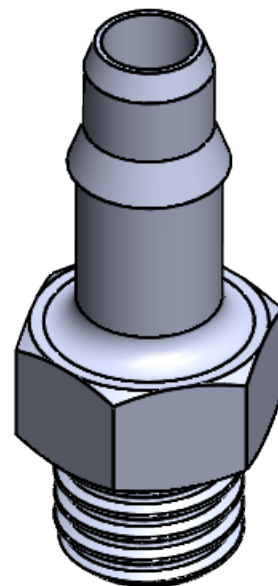


NOTES: 1.FOR ADDITIONAL DETAILS, PLEASE CONTACT VP NEW PRODUCT DEVELOPMENT
 2.DIMENSIONS MARKED \varnothing ARE CONTROL DIMENSIONS
 3.VERIFY THREAD USING CG118 1/4"-28 FUNCTIONAL THREAD GAUGE

REVISIONS			
REV.	DESCRIPTION	DATE	APPROVED
A	INITIAL RELEASE	06-17-05	
B	CO 031 DRAFTING UPDATE	01-17-06	RICK C.
C	ECO 358	03-20-17	FJL
D	ECO 1079196	01-31-20	FJL



INSTRUMENT QUALITY PART. NO PARTING LINE PERMITTED ON THIS CONICAL SURFACE



Dimension	Material Specific Tolerances							
	Acetal	Nylon	PP	ABS	PC	PVC	Polysulfone	Kynar
A	.310	.310	.310	.310	.310	.310	.310	.305
B	.213	.213	.213	.213	.213	.213	.213	.208
C	.125	.125	.125	.125	.125	.125	.125	.120
D								
E								
F								

UNLESS OTHERWISE SPECIFIED DIMENSIONS ARE IN INCHES TOLERANCES ARE: <small>FRACTIONS DECIMAL ANGULAR</small> <small>± .XX ±.01 ± 1°</small> <small> .XXX ±.005</small> <small> .XXXX ±.001</small> DO NOT SCALE DRAWING		VALUE PLASTICS, INC			
DRAWN BY: BRYCE HIRSCHFELD		DATE: 1/31/2020		PART NUMBER: S445	
MANAGER: DOUG KIMMEL		SIZE: B	SCALE: NTS	VER: 	DWG. NO. 1007767
© 2014 VALUE PLASTICS, INC				REVISION: D	
				SHEET: 1 OF 1	

FOR REFERENCE ONLY