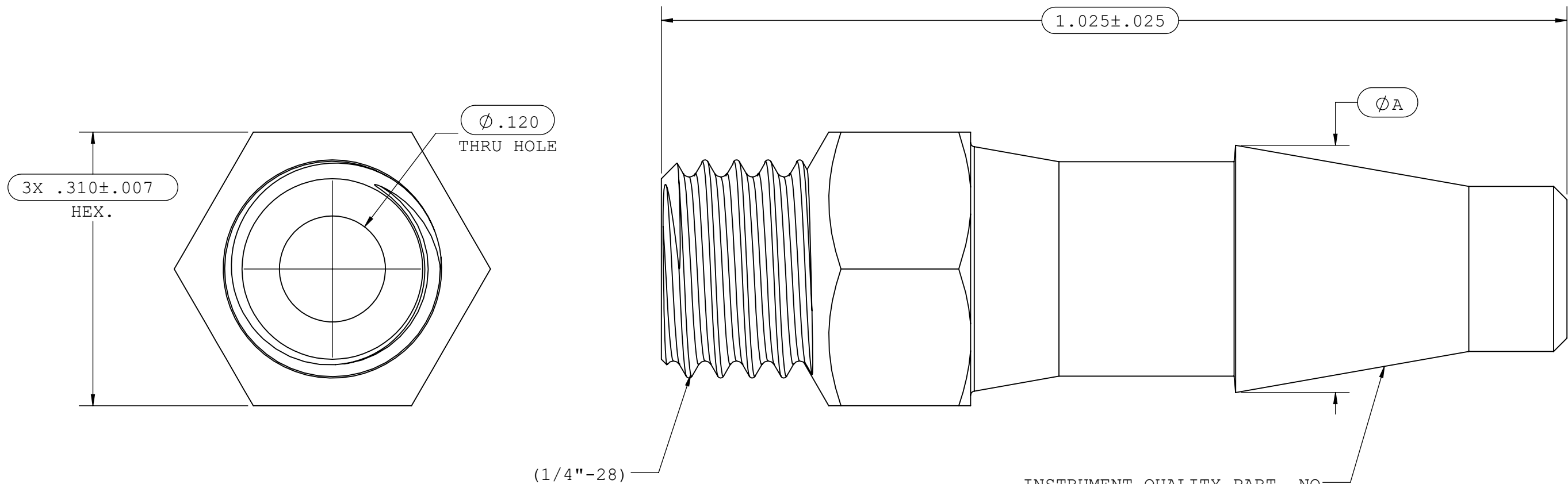


NOTES: 1.FOR ADDITIONAL DETAILS, PLEASE CONTACT VP NEW PRODUCT DEVELOPMENT

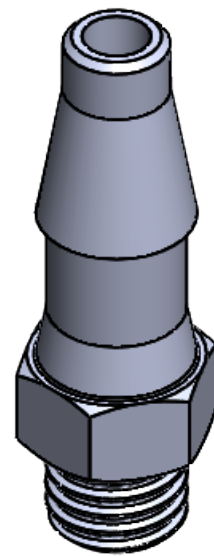
2.DIMENSIONS MARKED \square ARE CONTROL DIMENSIONS

3.VERIFY THREAD USING CG118 1/4"-28 FUNCTIONAL THREAD GAUGE

REVISIONS			
REV.	DESCRIPTION	DATE	APPROVED
A	INITIAL RELEASE	08-22-2	
B	CO 031 DRAFTING UPDATE	01-17-06	RICK C.
C	ECO 358	03-21-17	FJL
D	ECO 1079196	01-31-20	FJL



INSTRUMENT QUALITY PART. NO PARTING LINE PERMITTED ON THIS CONICAL SURFACE



Dimension	Material Specific Tolerances							
	Acetal	Nylon	PP	ABS	PC	PVC	Polysulfone	Kynar
A	.280	.280	.280	.280	.280	.280	.280	.275
B								
C								
D								
E								
F								

UNLESS OTHERWISE SPECIFIED DIMENSIONS ARE IN INCHES TOLERANCES ARE:		VALUE PLASTICS, INC			
FRACTIONS	DECIMAL				
± .XX	± .01	± 1°	DESCRIPTION:	1/4"-28 THREAD WITH 5/16" HEX TO CLASSIC SERIES BARB, 3/16" (4.75 mm) ID TUBING	
± .XXX	± .005		SIZE:	B	
± .XXXX	± .001		SCALE:	NTS	
DO NOT SCALE DRAWING		DATE:	VER:	DWG. NO.	
DRAWN BY:	BRYCE HIRSCHFELD	1/31/2020	REV:	D	
MANAGER:	DOUG KIMMEL	© 2014 VALUE PLASTICS, INC		SHEET: 1 OF 1	

FOR REFERENCE ONLY