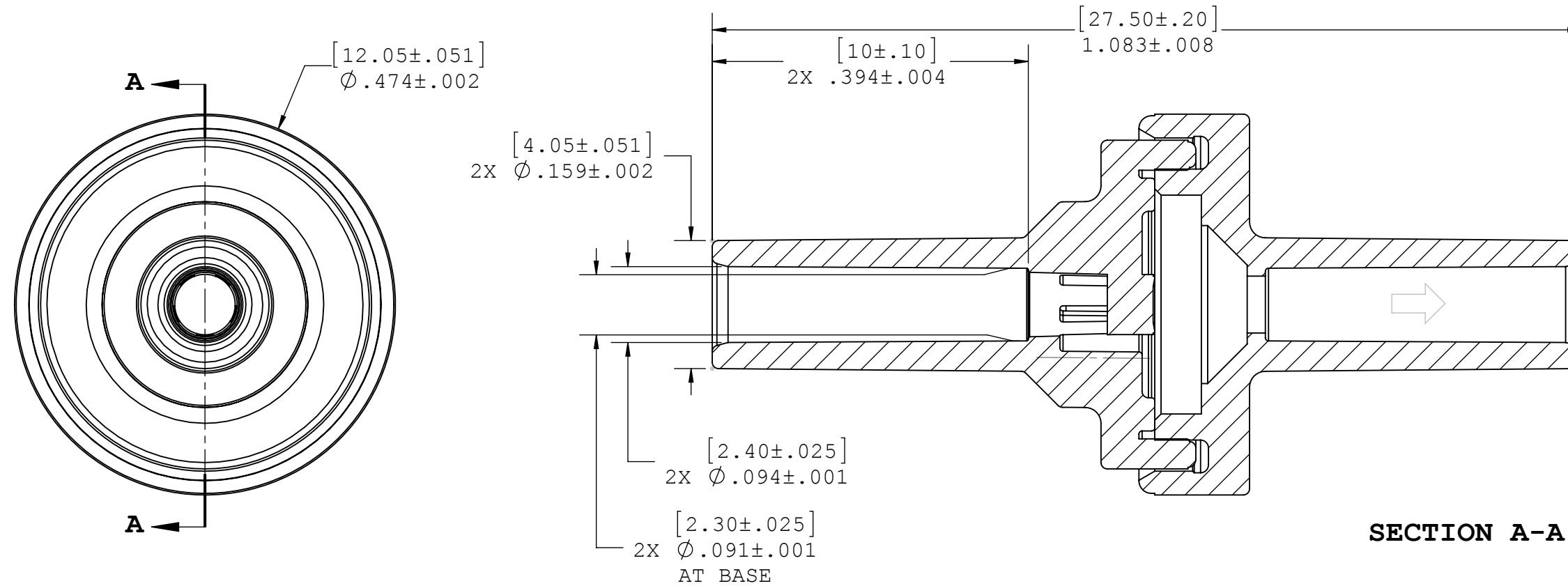
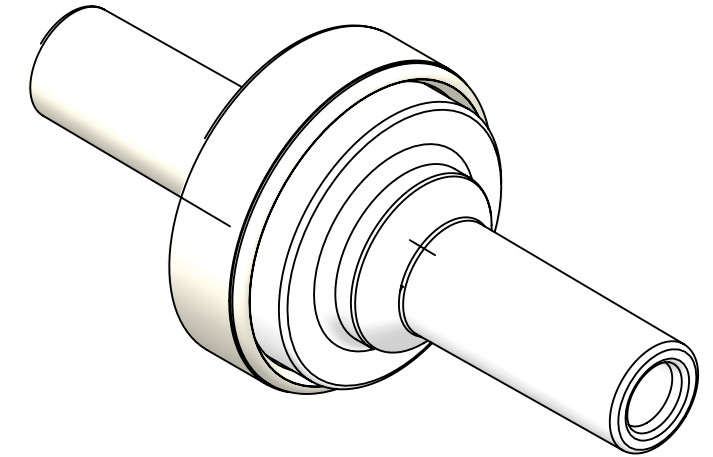


NOTES: FOR ADDITIONAL DETAILS, PLEASE CONTACT VP CUSTOMER SERVICE
 DIMENSIONS MARKED \square ARE CONTROL DIMENSIONS

REVISIONS			
REV.	DESCRIPTION	DATE	APPROVED
A	INITIAL RELEASE	04/21/13	S.N.R



SECTION A-A

UNLESS OTHERWISE SPECIFIED DIMENSIONS ARE IN INCHES TOLERANCES ARE:		VALUE PLASTICS, INC			
FRACTIONS DECIMAL ANGULAR \pm .XX \pm .01 \pm 1° .XXX \pm .005 .XXXX \pm .001 DO NOT SCALE DRAWING		PART NUMBER: SCV06018			
		DESCRIPTION: Check Valve, Socket for .094" (2.4 mm) OD Tubing to Tubing, Clear MABS and White MABS w/Silicone Diaphragm			
DRAWN BY: kyles	DATE: 5/16/2013	SIZE: B	SCALE: NTS	VER: 	DWG. NO. REV 1026538 A
MANAGER: RaviN		© 2011 VALUE PLASTICS, INC			SHEET: 1 OF 1

FOR REFERENCE ONLY