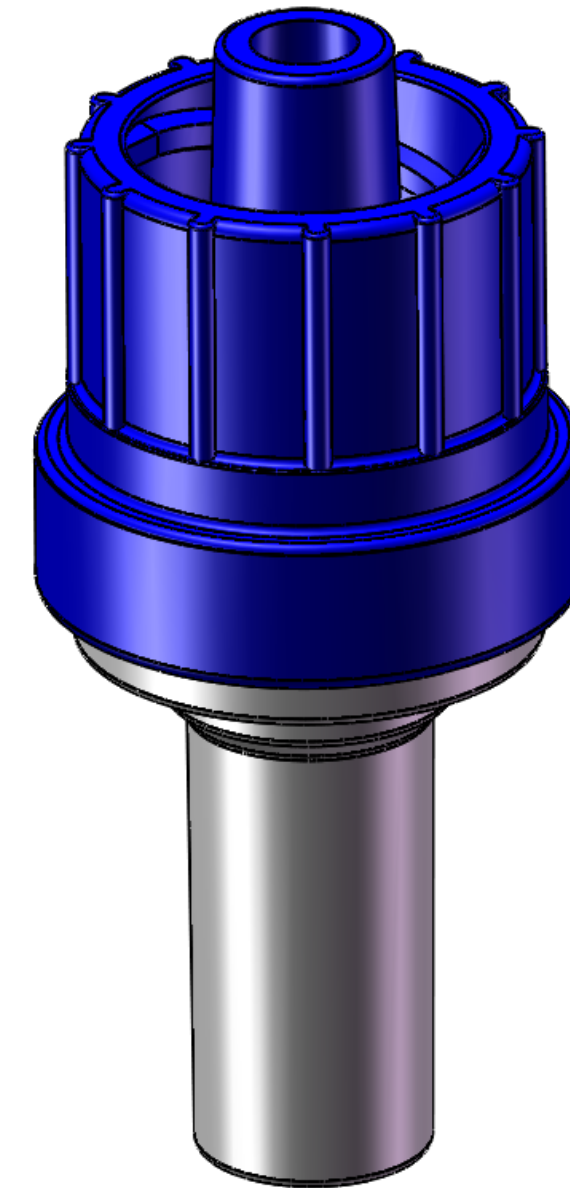
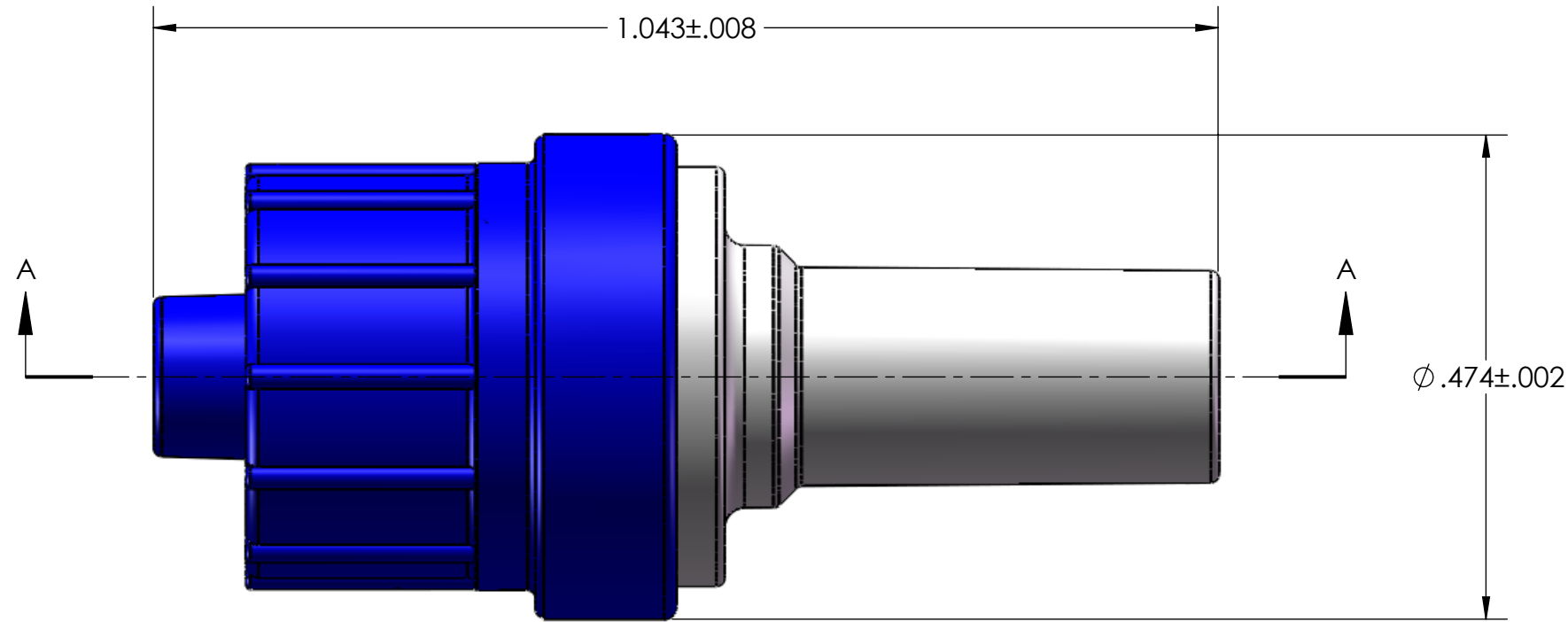
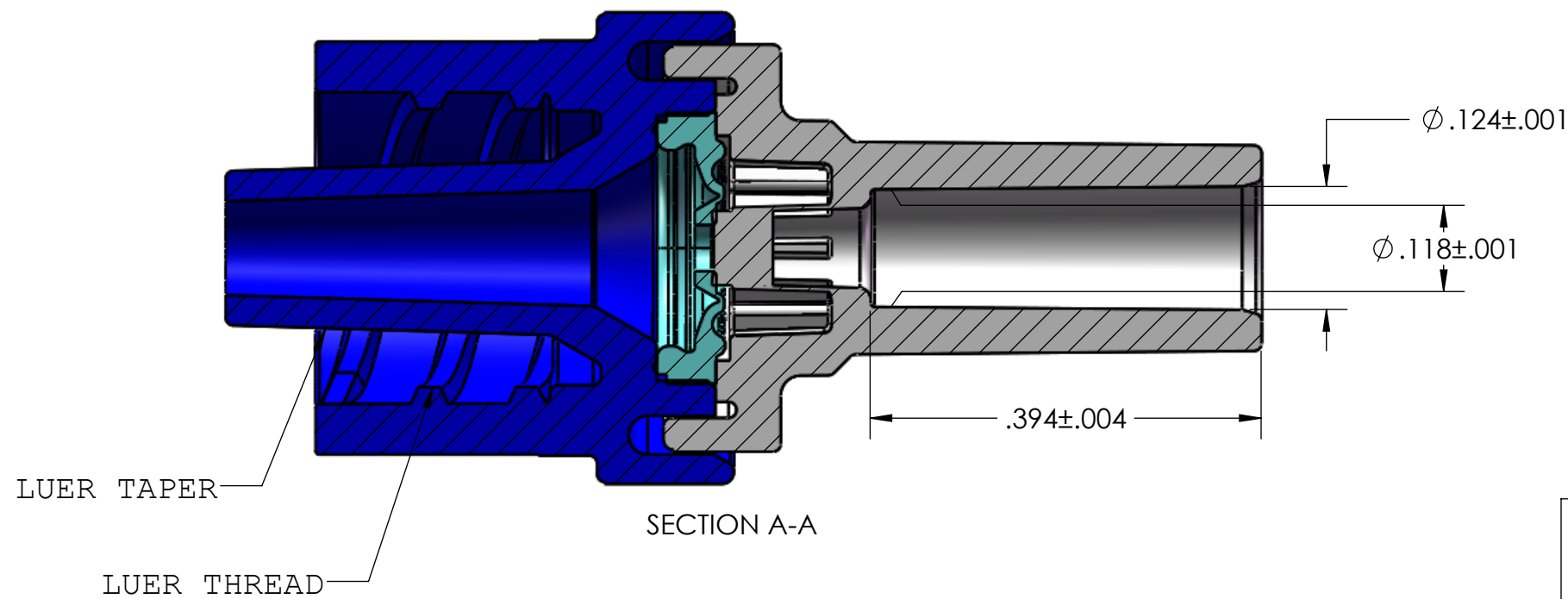


NOTES: FOR ADDITIONAL DETAILS, PLEASE CONTACT VP CUSTOMER SERVICE

REVISIONS			
REV.	DESCRIPTION	DATE	APPROVED
A	INITIAL RELEASE	04-30-15	H.L



DIRECTION OF FLUID FLOW



UNLESS OTHERWISE SPECIFIED DIMENSIONS ARE IN INCHES TOLERANCES ARE:		<b>VALUE PLASTICS, INC</b>	
FRACTIONS	DECIMAL	ANGULAR	PART NUMBER: SCV06246
±	. XX ±.01	± 1°	DESCRIPTION: Check Valve, Pocket for .122" (3.1 mm) OD Tubing to Male Locking Luer, Clear ABS and Blue SAN w/Silicone Diaphragm
	.XXX ±.005		SIZE: B NTS DWG. NO. 1035797 REV A
	.XXXX ±.001		ENGINEERING MANAGER: Lou Huadong
DO NOT SCALE DRAWING		© 2015 VALUE PLASTICS, INC SHEET: 1 OF 1	
DRAWN BY: Frank.Lombardi	DATE: 4/30/2015		

FOR REFERENCE ONLY