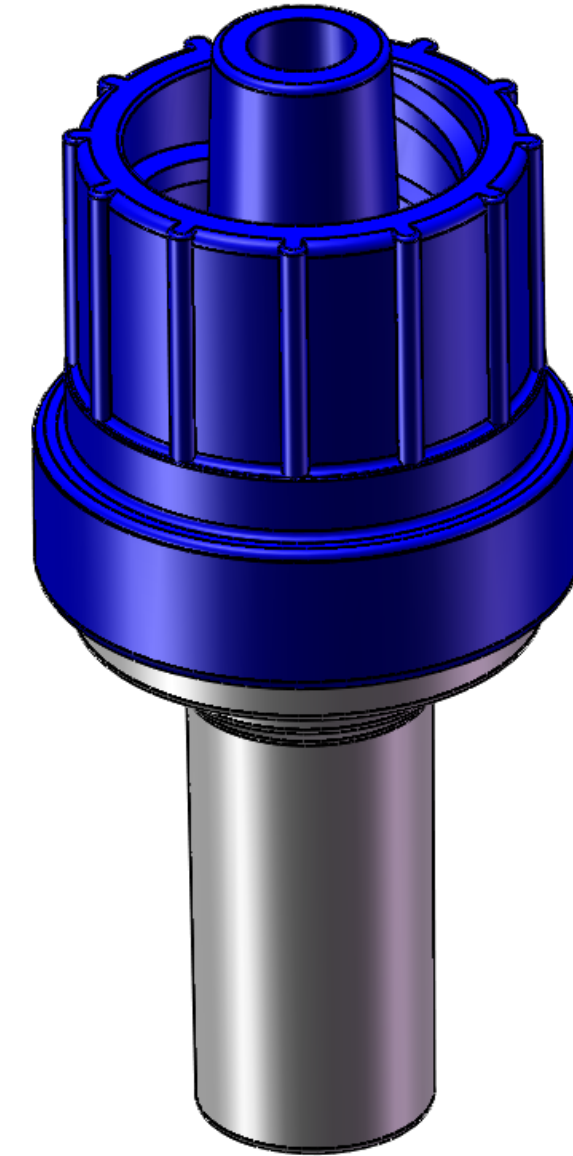
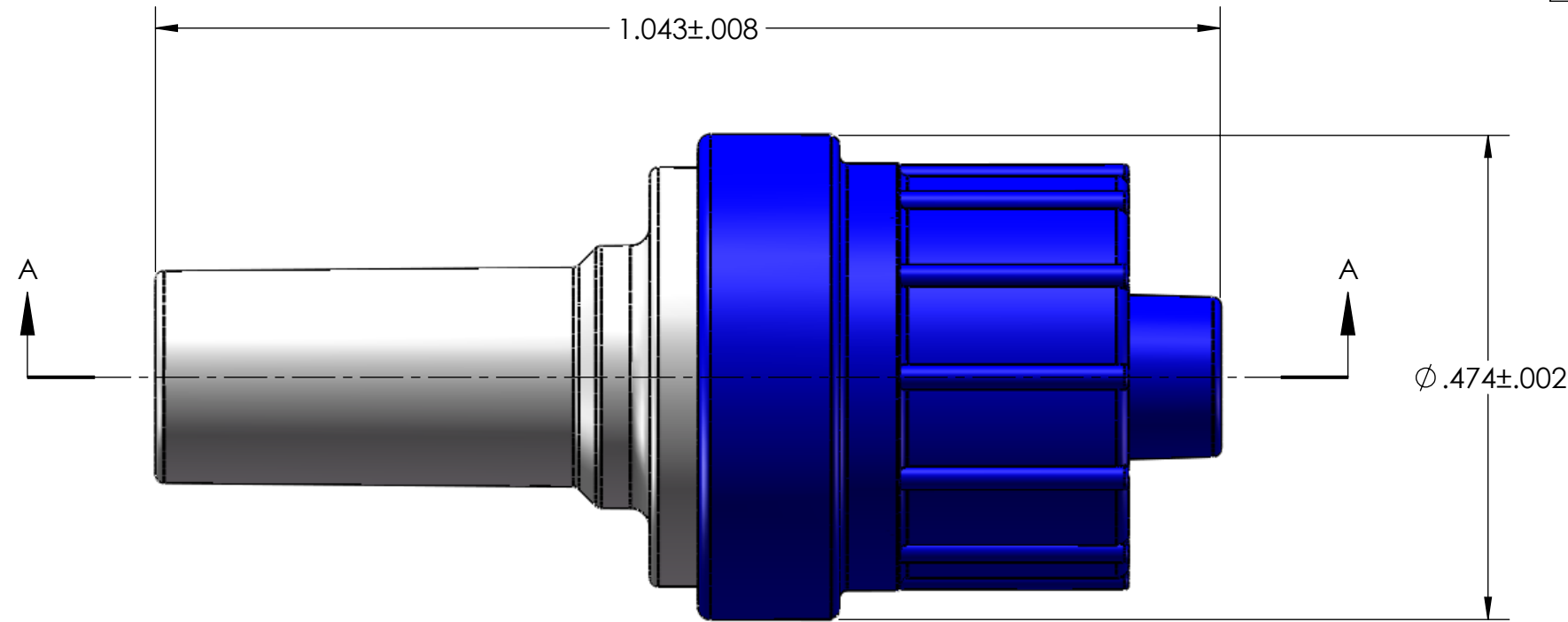
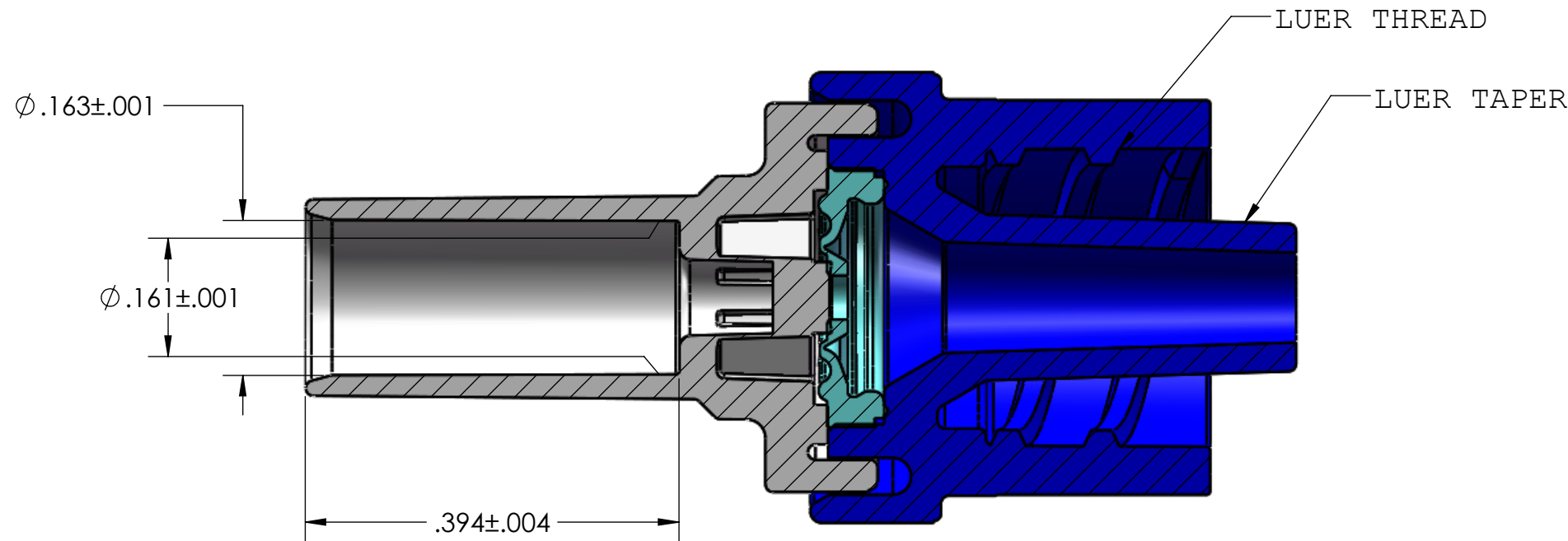


NOTES: FOR ADDITIONAL DETAILS, PLEASE CONTACT VP CUSTOMER SERVICE

REVISIONS			
REV.	DESCRIPTION	DATE	APPROVED
A	INITIAL RELEASE	04-30-15	H.L



DIRECTION OF  
FLUID FLOW



SECTION A-A

UNLESS OTHERWISE SPECIFIED DIMENSIONS ARE IN INCHES TOLERANCES ARE:		<b>VALUE PLASTICS, INC</b>	
FRACTIONS	DECIMAL	ANGULAR	PART NUMBER: SCV06249
±	.XX ±.01	± 1°	DESCRIPTION: Check Valve, Pocket for .165" (4.2 mm) OD Tubing to Male Locking Luer, Clear ABS and Blue SAN w/Silicone Diaphragm
	.XXX ±.005		SIZE: B NTS DWG. NO. 1035794 REV A
	.XXXX ±.001		© 2015 VALUE PLASTICS, INC SHEET: 1 OF 1
DO NOT SCALE DRAWING			
DRAWN BY: Frank.Lombardi	DATE: 4/30/2015		
ENGINEERING MANAGER: Lou Huadong			

**FOR REFERENCE ONLY**