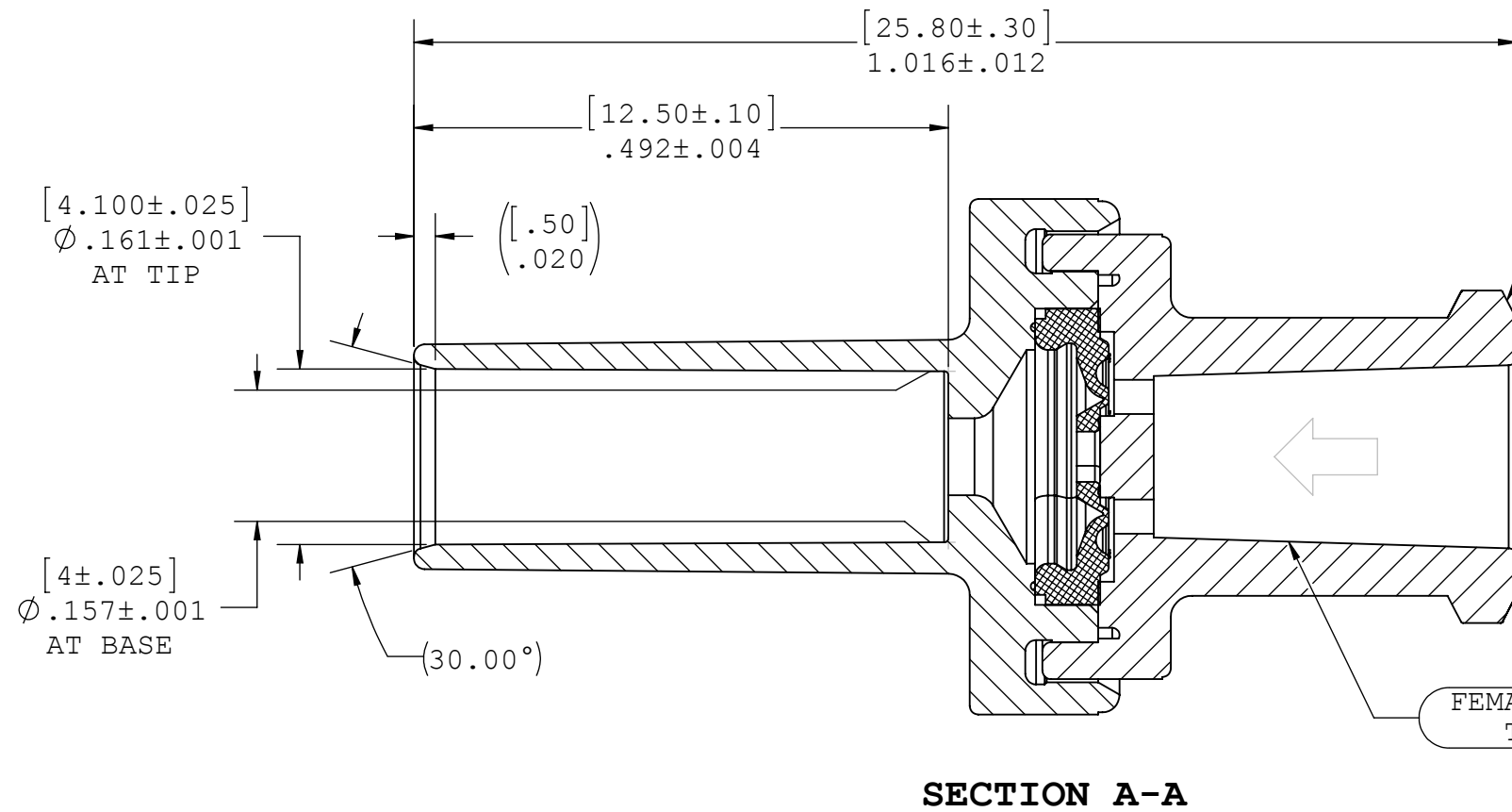


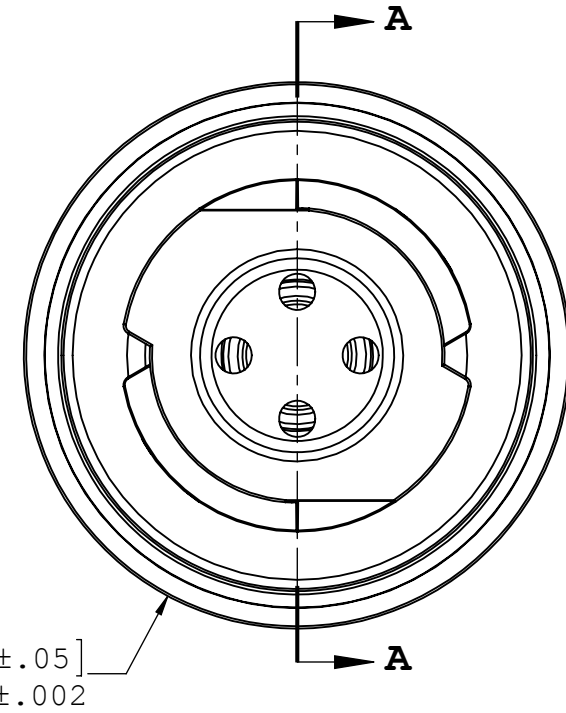
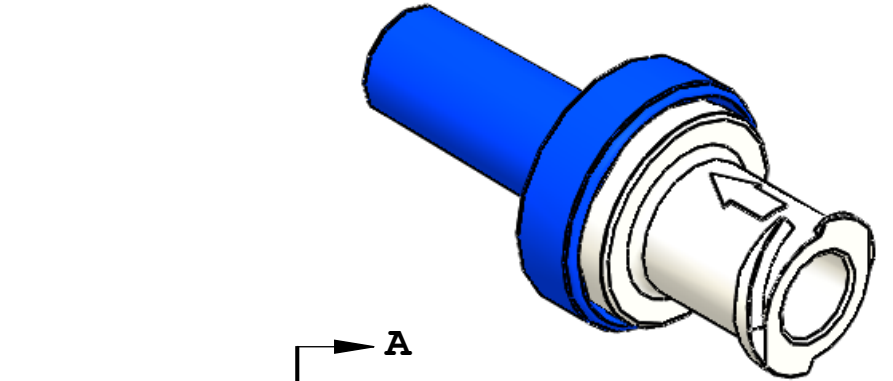
NOTES: FOR ADDITIONAL DETAILS, PLEASE CONTACT VP CUSTOMER SERVICE
 DIMENSIONS MARKED \square ARE CONTROL DIMENSIONS

REVISIONS			
REV.	DESCRIPTION	DATE	APPROVED
A	INITIAL RELEASE	10/02/12	S.N.R



FEMALE LUER
 THREAD

FEMALE LUER
 TAPER



UNLESS OTHERWISE SPECIFIED DIMENSIONS ARE IN INCHES TOLERANCES ARE: FRACTIONS DECIMAL ANGULAR ± .XX ±.01 ± 1° .XXX ±.005 .XXXX ±.001 DO NOT SCALE DRAWING		VALUE PLASTICS, INC			
DRAWN BY: kyles		DATE: 11/1/2012		PART NUMBER: SCV06272	
MANAGER: RaviN		SIZE: B	SCALE: NTS	VER: 	DESCRIPTION: Check Valve, Female Locking Luer to Socket for .161" (4.1 mm) OD to Tubing, Clear SAN and Blue MABS w/Silicone Diaphragm
DWG. NO. 1024690				REV: A	© 2011 VALUE PLASTICS, INC
SHEET: 1 OF 1					

FOR REFERENCE ONLY