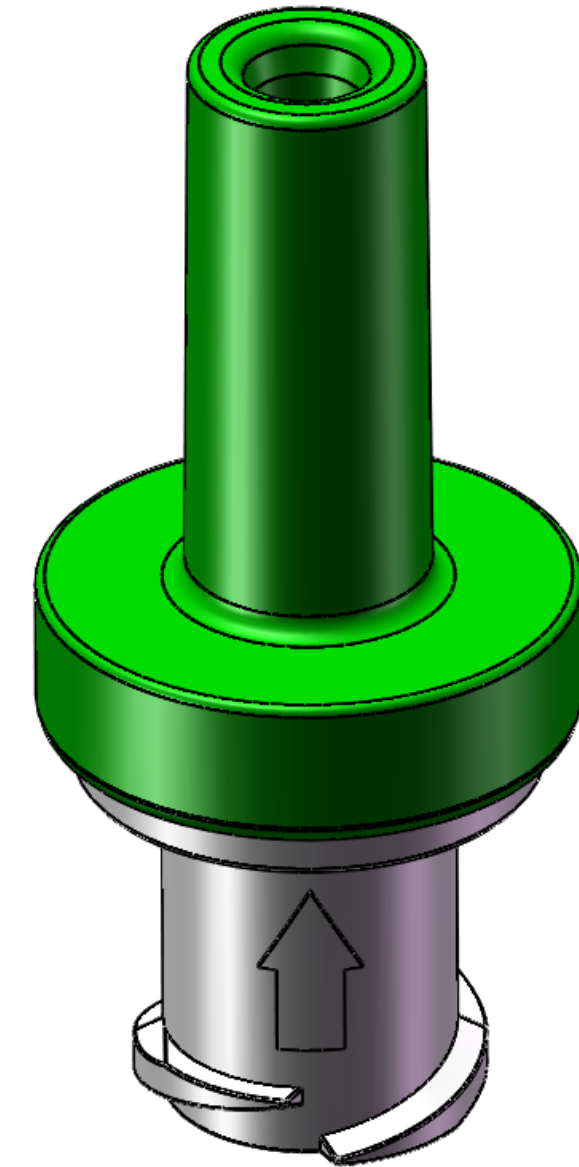
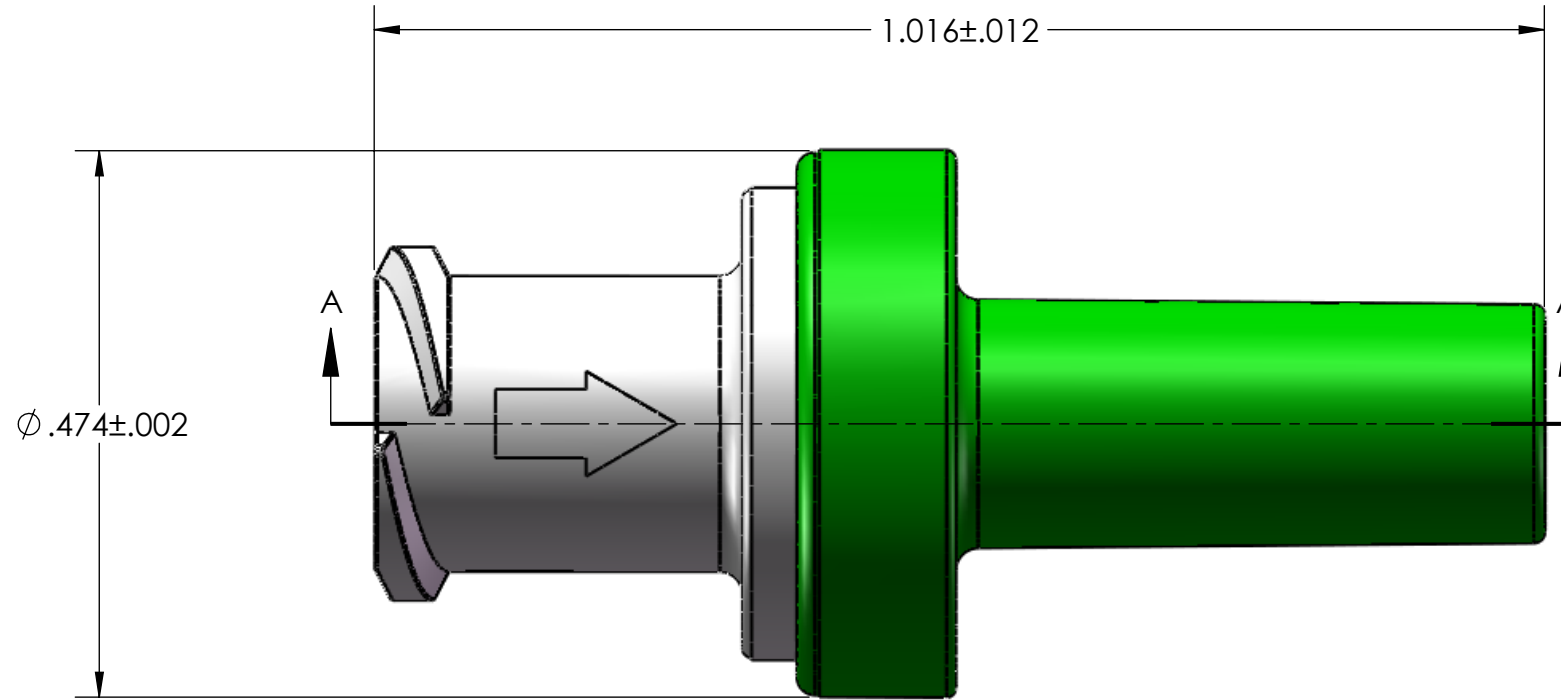
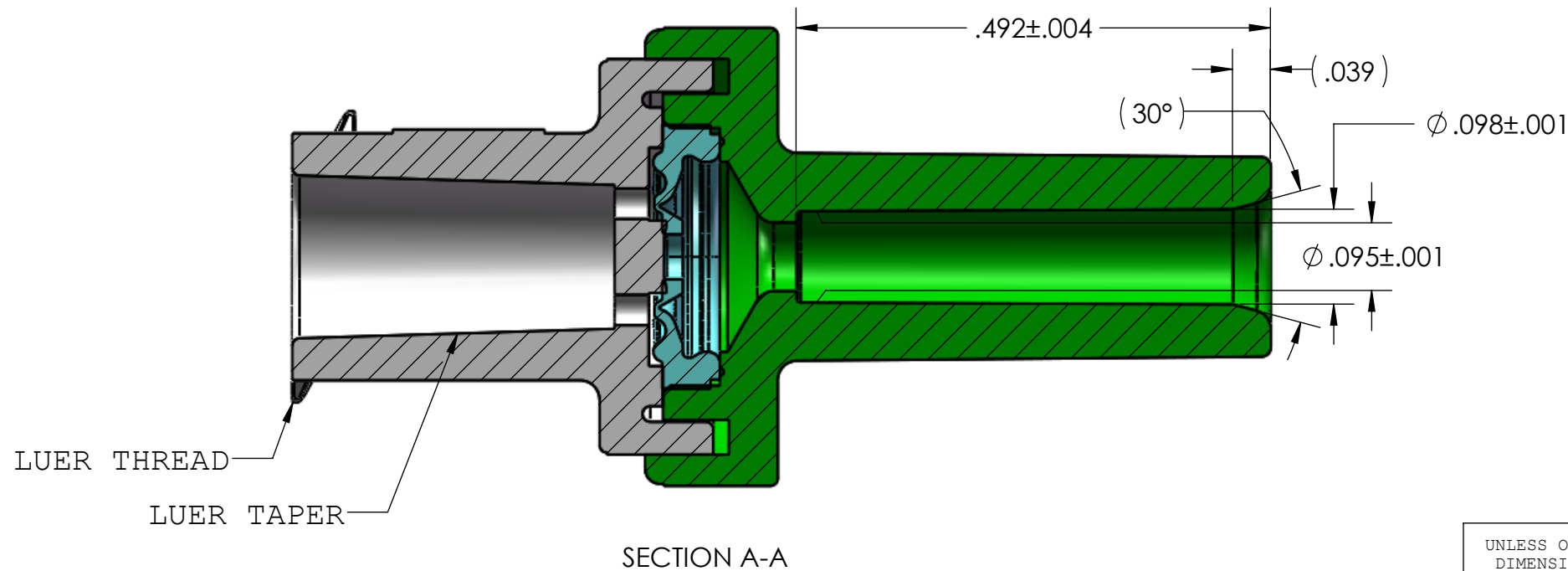


NOTES: FOR ADDITIONAL DETAILS, PLEASE CONTACT VP CUSTOMER SERVICE

REVISIONS			
REV.	DESCRIPTION	DATE	APPROVED
A	INITIAL RELEASE	04-30-15	H.L



DIRECTION OF FLUID FLOW



UNLESS OTHERWISE SPECIFIED DIMENSIONS ARE IN INCHES TOLERANCES ARE:		<b>VALUE PLASTICS, INC</b>			
FRACTIONS	DECIMAL				
±	. XX ±.01	± 1°	PART NUMBER: SCV06308		
	.XXX ±.005		DESCRIPTION: Check Valve, Female Locking Luer to Pocket for .098" (2.5 mm) OD Tubing, Clear and Green Polycarbonate w/Silicone Diaphragm		
	.XXXX ±.001		SIZE: B NTS DWG. NO. 1035798 REV A		
DO NOT SCALE DRAWING		© 2015 VALUE PLASTICS, INC SHEET: 1 OF 1			
DRAWN BY: Frank.Lombardi	DATE: 4/30/2015				
ENGINEERING MANAGER: Lou Huadong					

**FOR REFERENCE ONLY**