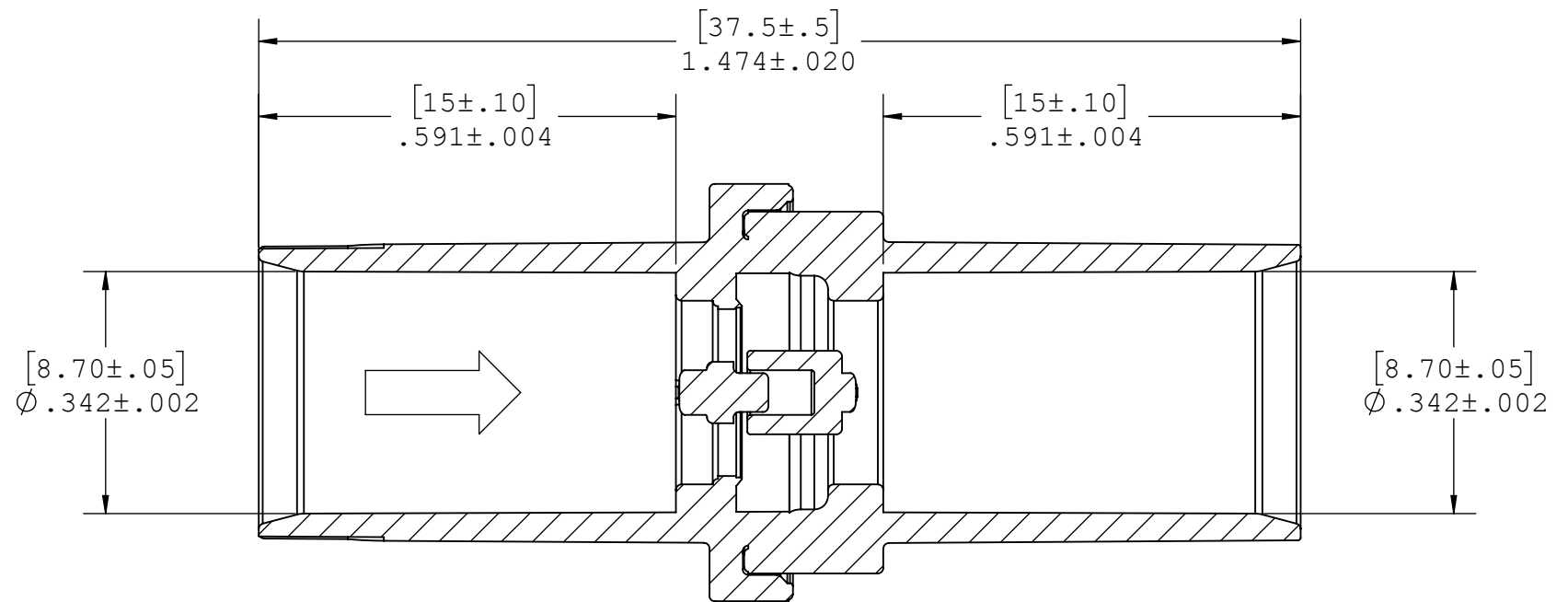
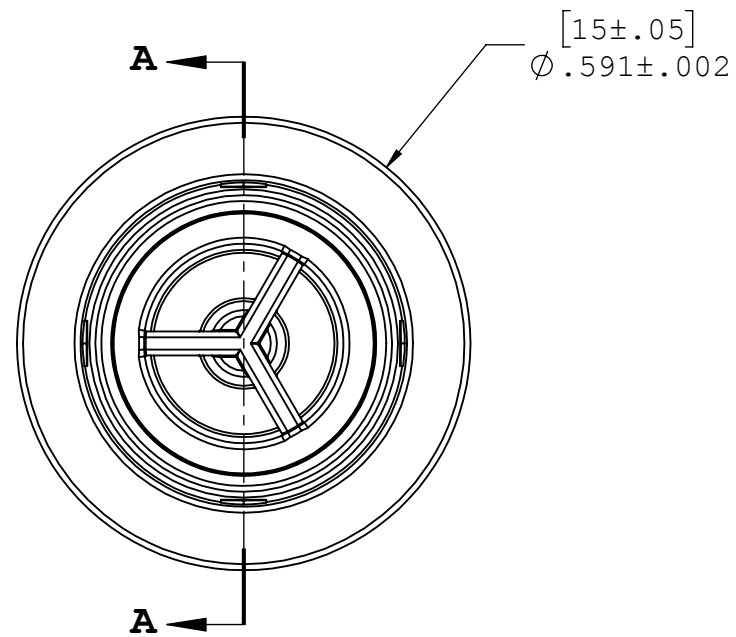
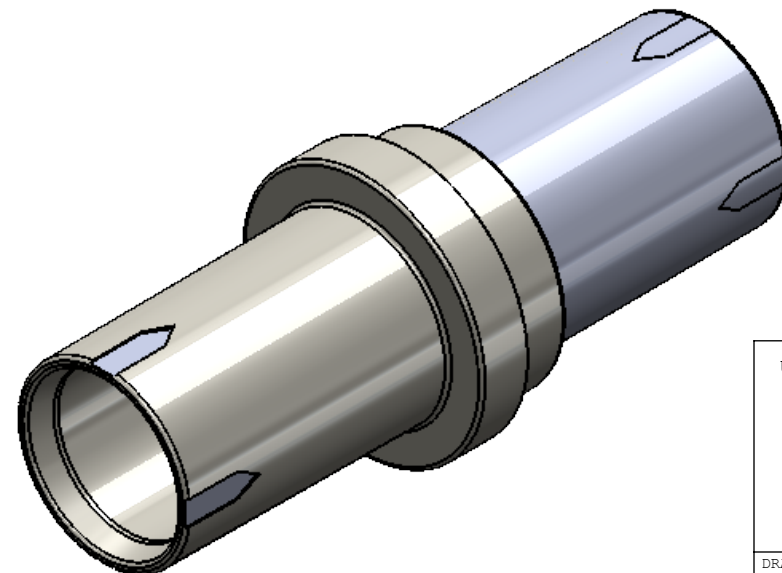


NOTES: FOR ADDITIONAL DETAILS, PLEASE CONTACT VP CUSTOMER SERVICE
 DIMENSIONS MARKED \square ARE CONTROL DIMENSIONS

REVISIONS			
REV.	DESCRIPTION	DATE	APPROVED
A	INITIAL RELEASE	11-09-17	FJL



SECTION A-A



UNLESS OTHERWISE SPECIFIED DIMENSIONS ARE IN INCHES TOLERANCES ARE:		VALUE PLASTICS, INC			
FRACTIONS DECIMAL ANGULAR \pm .XX \pm .01 \pm 1° .XXX \pm .005 .XXXX \pm .001		PART NUMBER: SCV06397			
DO NOT SCALE DRAWING		DESCRIPTION: CHECK VAVLE, SOCKET FOR .343" (8.8mm) OD TUBING TO TUBING, CLEAR MARS AND WHITE MABS W/SILICONE DIAPHRAGM			
DRAWN BY: marie.morleyjahn	DATE: 11/9/2017	SIZE: B	SCALE: NTS	VER: 	DWG. NO. REV 1057139 A
MANAGER: Frank.Lombardi		© 2014 VALUE PLASTICS, INC			SHEET: 1 OF 1

FOR REFERENCE ONLY