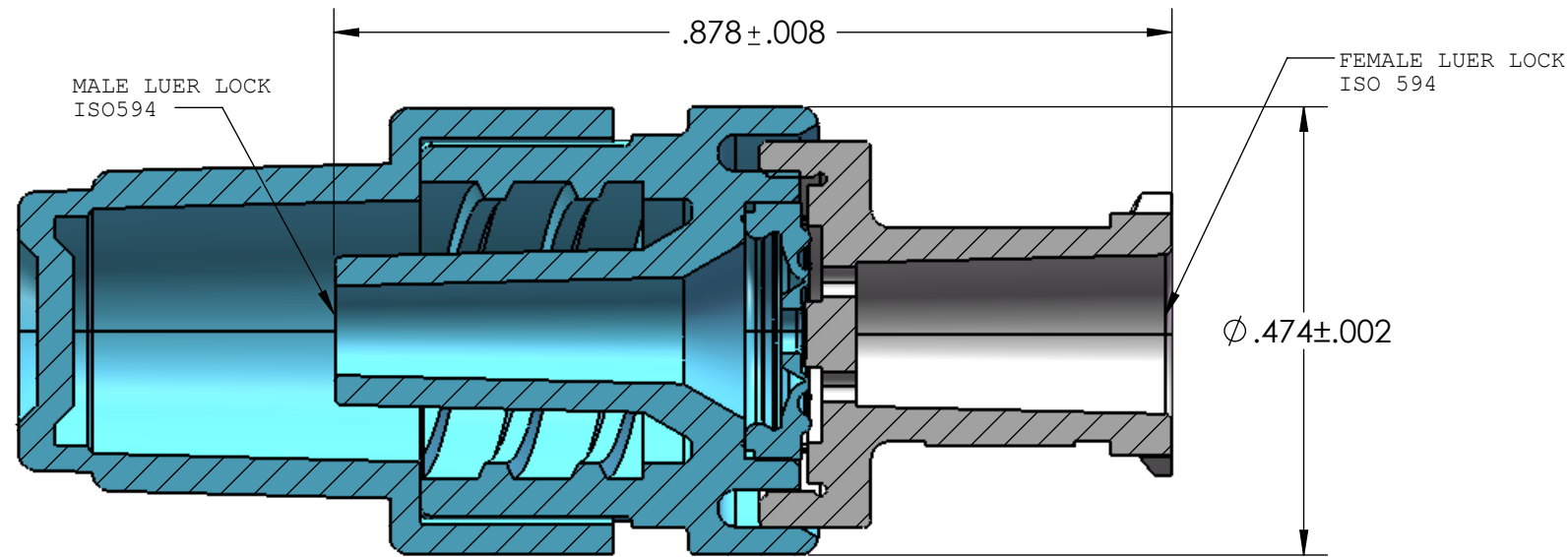
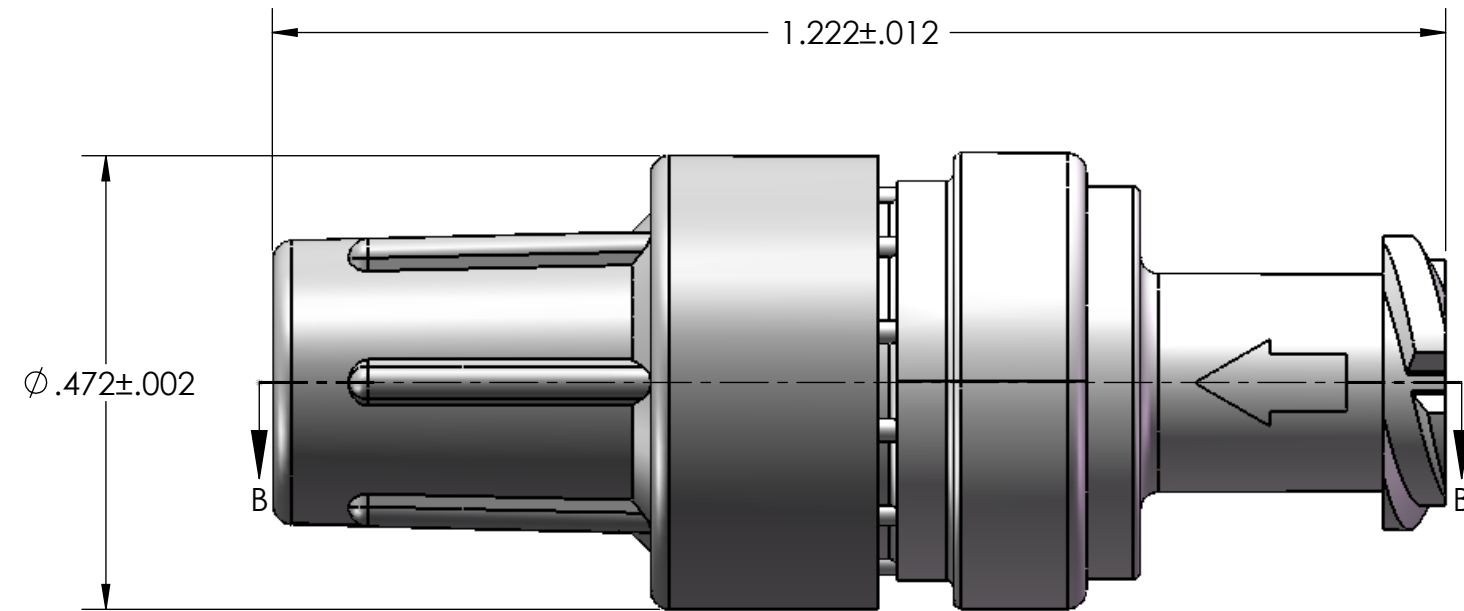
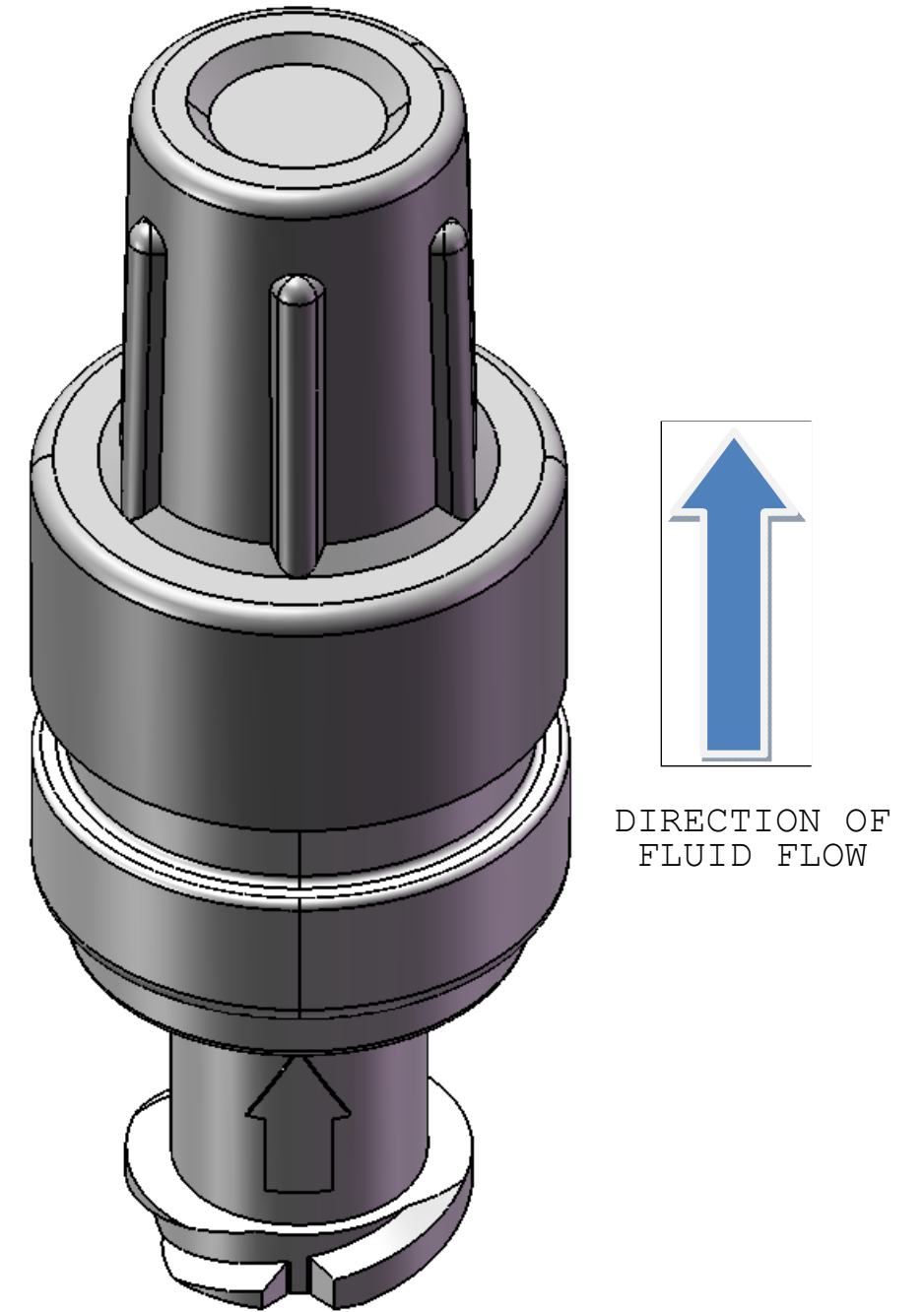


NOTES: FOR ADDITIONAL DETAILS, PLEASE CONTACT VP CUSTOMER SERVICE

REVISIONS			
REV.	DESCRIPTION	DATE	APPROVED
A	INITIAL RELEASE	01/20/09	Rick C.



SECTION B-B



UNLESS OTHERWISE SPECIFIED DIMENSIONS ARE IN INCHES TOLERANCES ARE:		<b>VALUE PLASTICS, INC</b>			
FRACTIONS    DECIMAL    ANGULAR ±            . XX ±.01    ± 1° .XXX ±.005 .XXXX ±.001		PART NUMBER: SCV08053			
DO NOT SCALE DRAWING		DESCRIPTION: Check Valve, Female Locking Luer to Male Locking Luer w/Cap, White SAN w/Silicone Diaphragm w/Natural LDPE			
DRAWN BY: MICHELE SCHENK	DATE: 1/20/2009	SIZE: <b>B</b>	SCALE: NTS	DWG. NO. 1014457	REV A
ENGINEERING MANAGER: RICK CAIRNS		© 2009 VALUE PLASTICS, INC		SHEET: 1 OF 1	

**FOR REFERENCE ONLY**