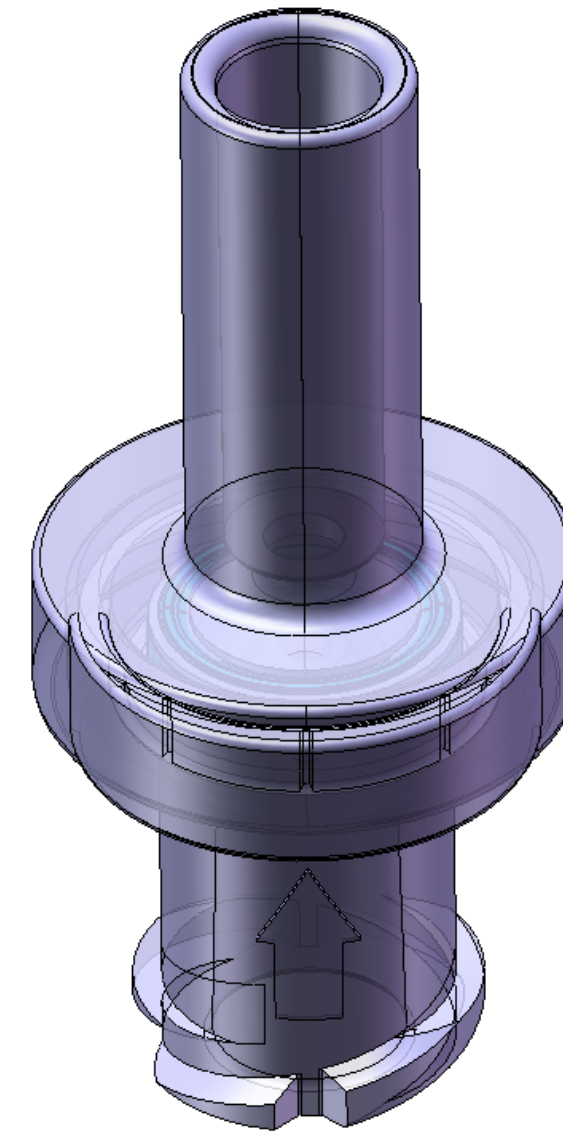
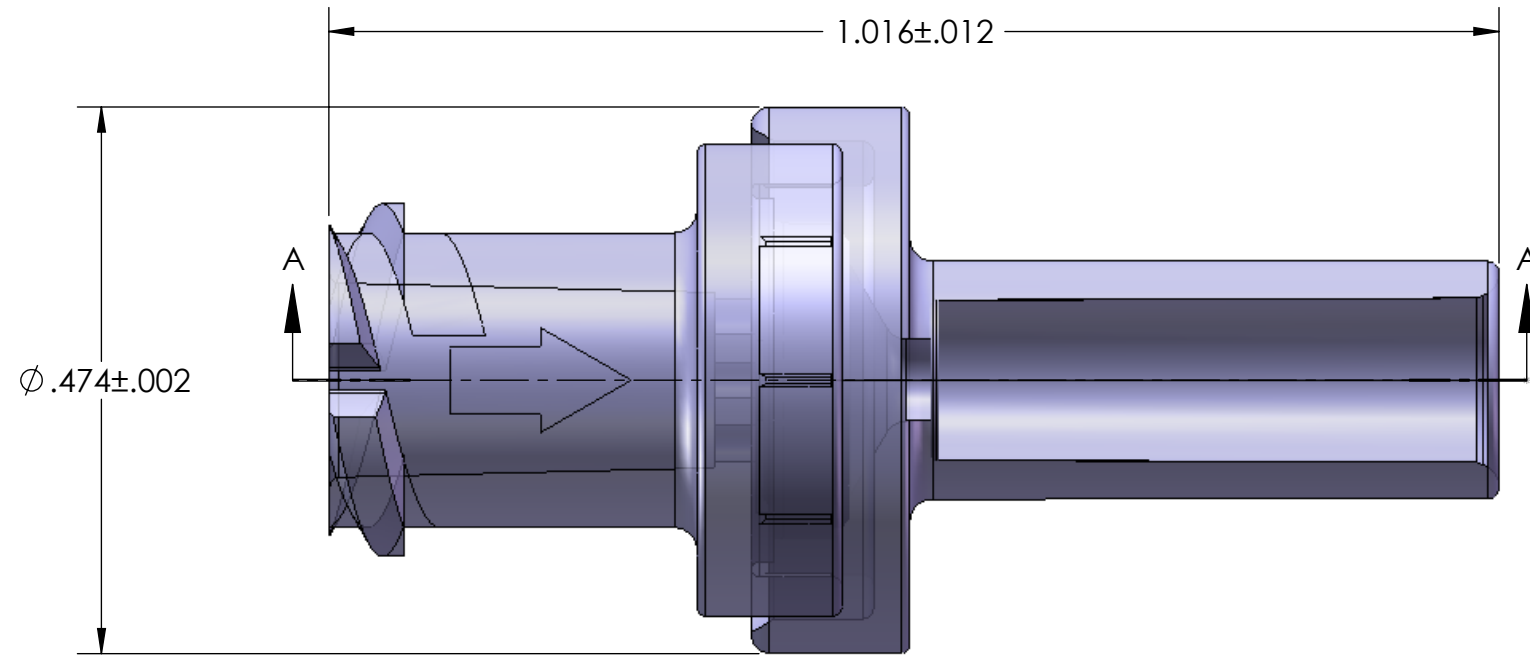
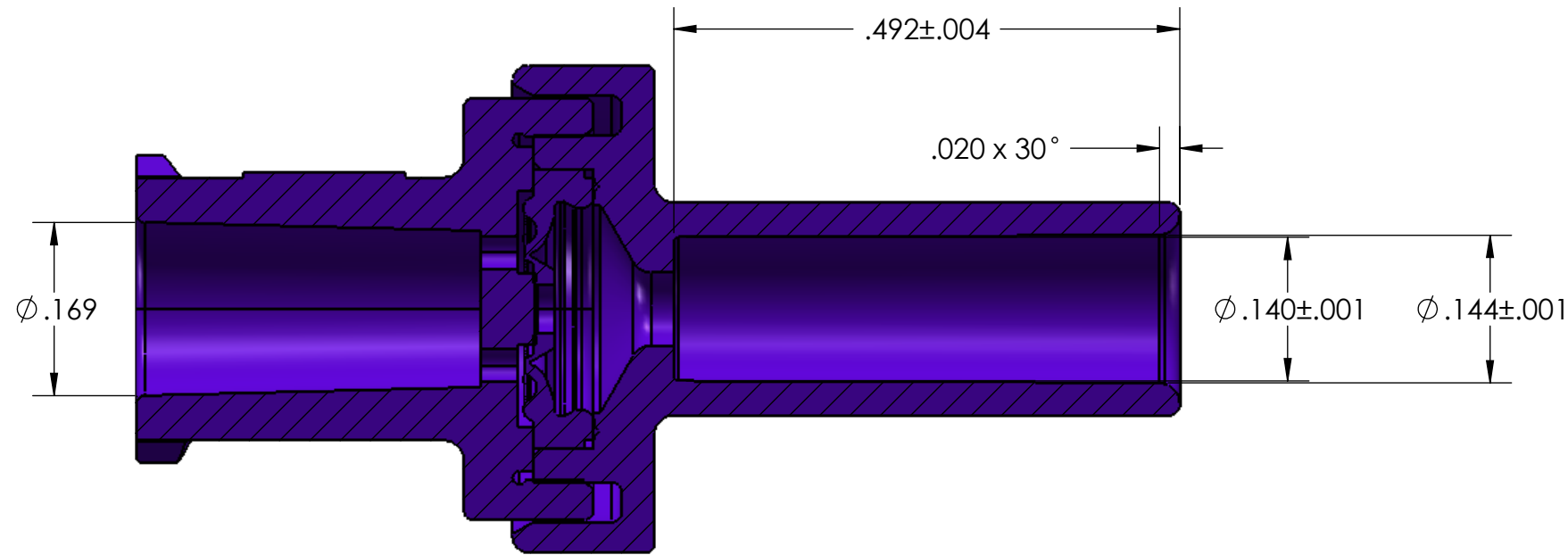


NOTES: FOR ADDITIONAL DETAILS, PLEASE CONTACT VP CUSTOMER SERVICE

REVISIONS			
REV.	DESCRIPTION	DATE	APPROVED
A	INITIAL RELEASE	01/20/09	Rick C.



DIRECTION OF
FLUID FLOW



SECTION A-A

UNLESS OTHERWISE SPECIFIED DIMENSIONS ARE IN INCHES TOLERANCES ARE:		VALUE PLASTICS, INC		
FRACTIONS	DECIMAL	ANGULAR	PART NUMBER: SCV10090	
±	. XX ±.01	± 1°	DESCRIPTION: Check Valve, Female Locking Luer to Pocket for .118" (3.0 mm) OD Tubing, Clear Polycarbonate w/Silicone Diaphragm	
	.XXX ±.005		SIZE: B	SCALE: NTS
	.XXXX ±.001		DWG. NO. 1014459	REV A
DO NOT SCALE DRAWING		© 2009 VALUE PLASTICS, INC		
DRAWN BY: MICHELE SCHENK	DATE: 1/20/2009	SHEET: 1 OF 1		
ENGINEERING MANAGER: RICK CAIRNS				

FOR REFERENCE ONLY