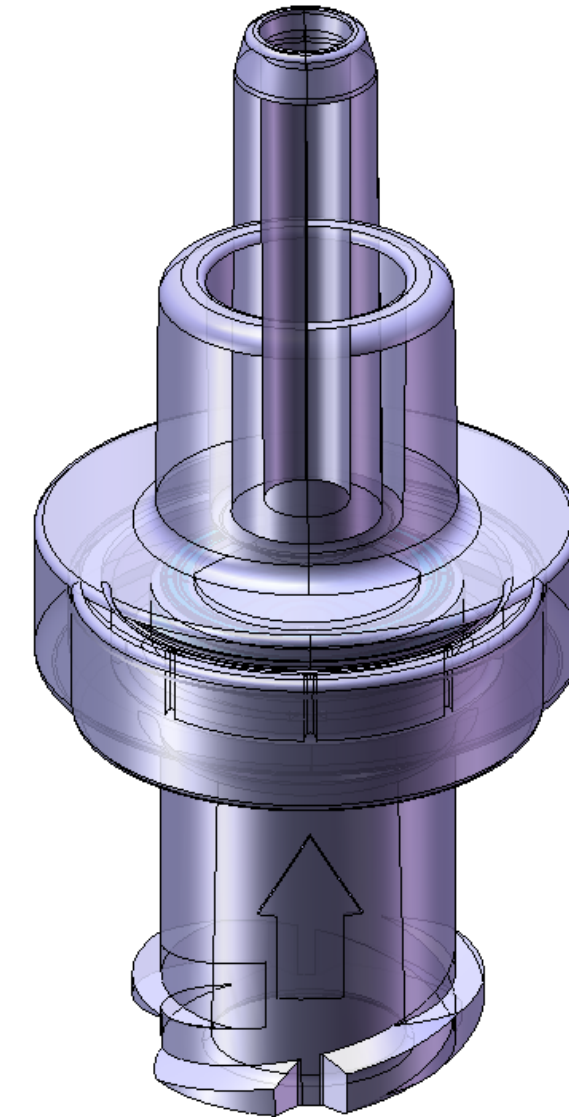
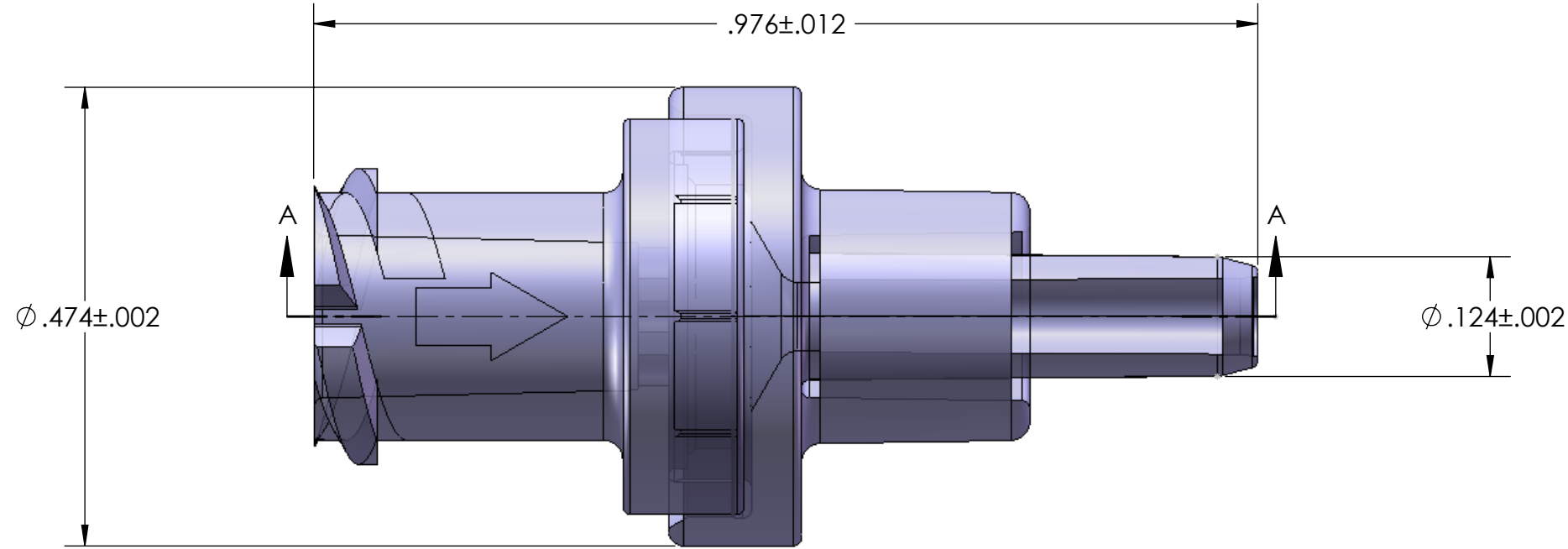
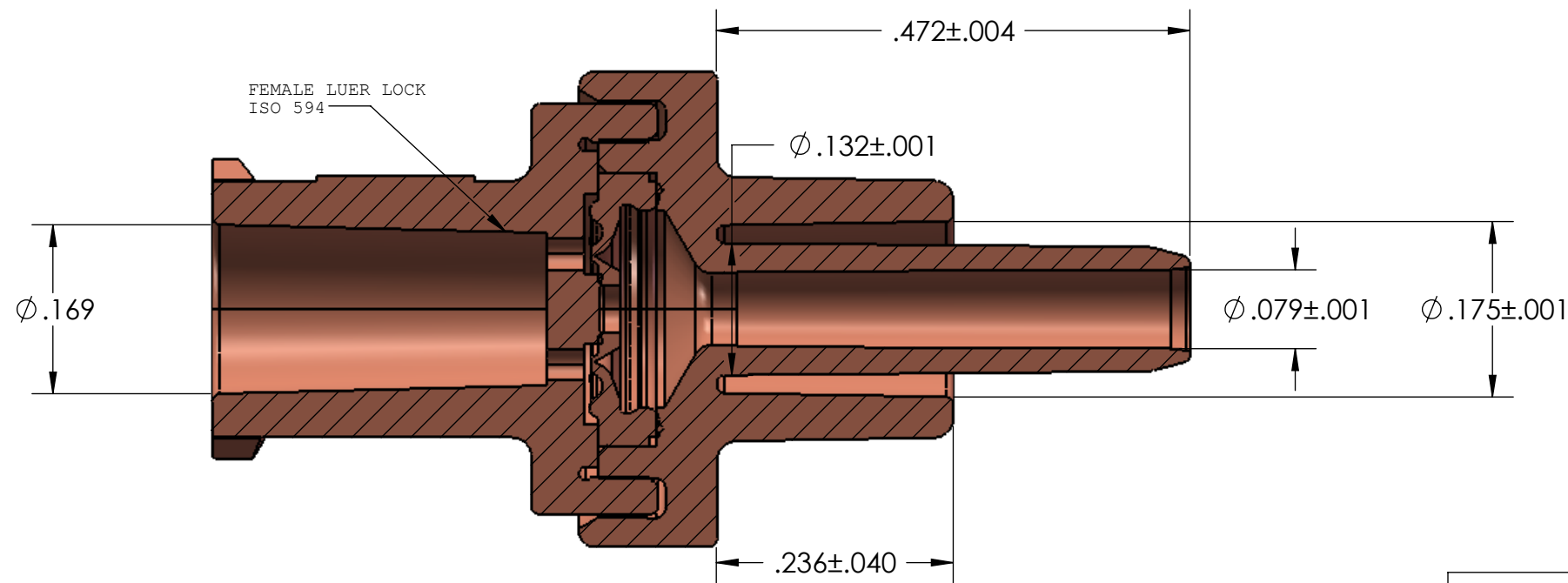


NOTES: FOR ADDITIONAL DETAILS, PLEASE CONTACT VP CUSTOMER SERVICE

REVISIONS			
REV.	DESCRIPTION	DATE	APPROVED
A	INITIAL RELEASE	01/20/09	Rick C.



DIRECTION OF
FLUID FLOW



SECTION A-A

UNLESS OTHERWISE SPECIFIED DIMENSIONS ARE IN INCHES TOLERANCES ARE:		VALUE PLASTICS, INC			
FRACTIONS DECIMAL ANGULAR ± .XX ±.01 ± 1° .XXX ±.005 .XXXX ±.001		PART NUMBER: SCV17090			
DO NOT SCALE DRAWING		DESCRIPTION: Check Valve, Female Locking Luer to Socket for .118" (3.0 mm) ID x .161" (4.1 mm) OD Tubing, Clear Polycarbonate w/Silicone Diaphragm			
DRAWN BY: MICHELE SCHENK	DATE: 1/20/2009	SIZE: B	SCALE: NTS	DWG. NO. 1014464	REV A
ENGINEERING MANAGER: RICK CAIRNS		© 2009 VALUE PLASTICS, INC		SHEET: 1 OF 1	

FOR REFERENCE ONLY