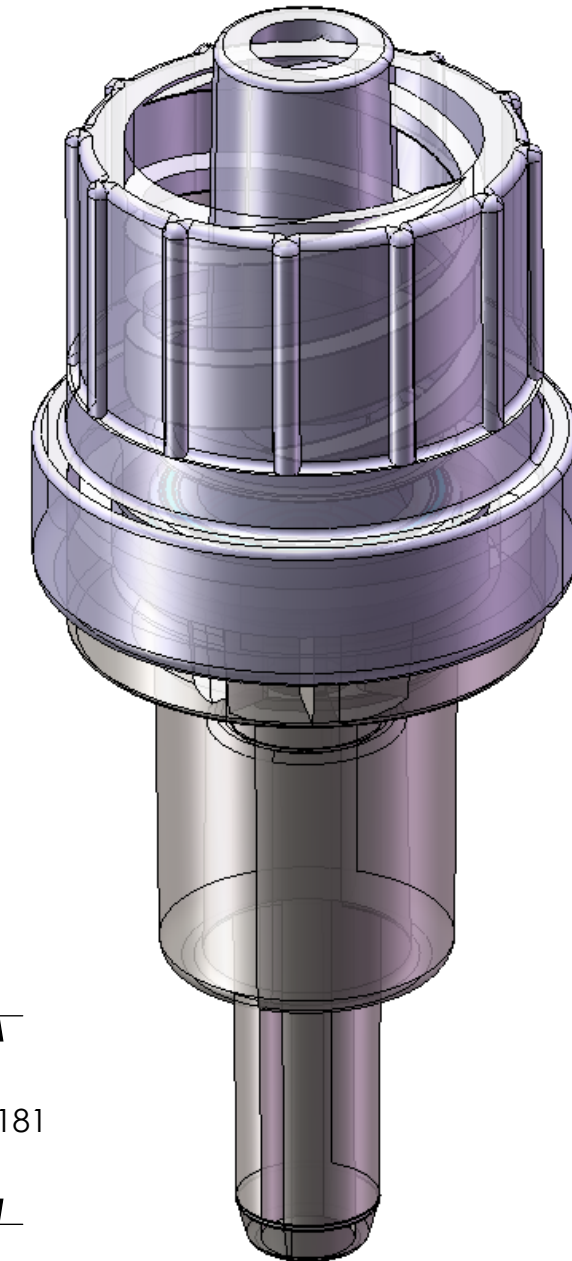
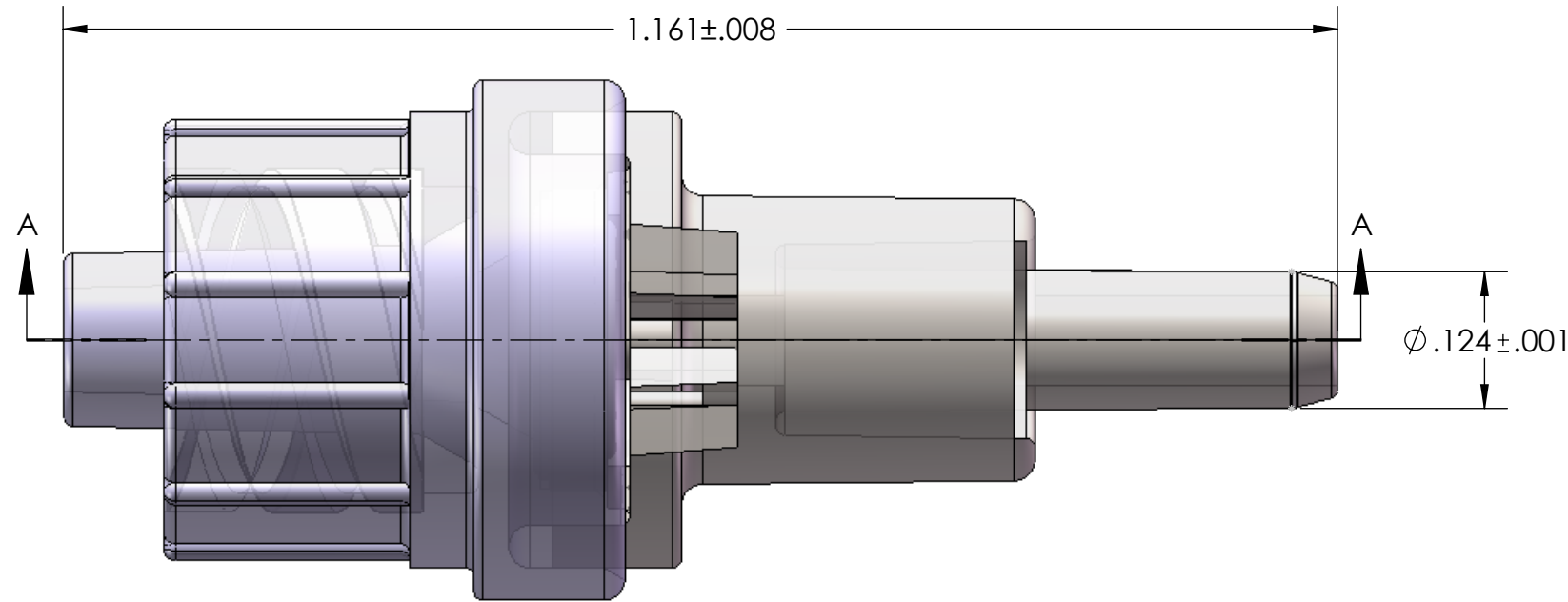
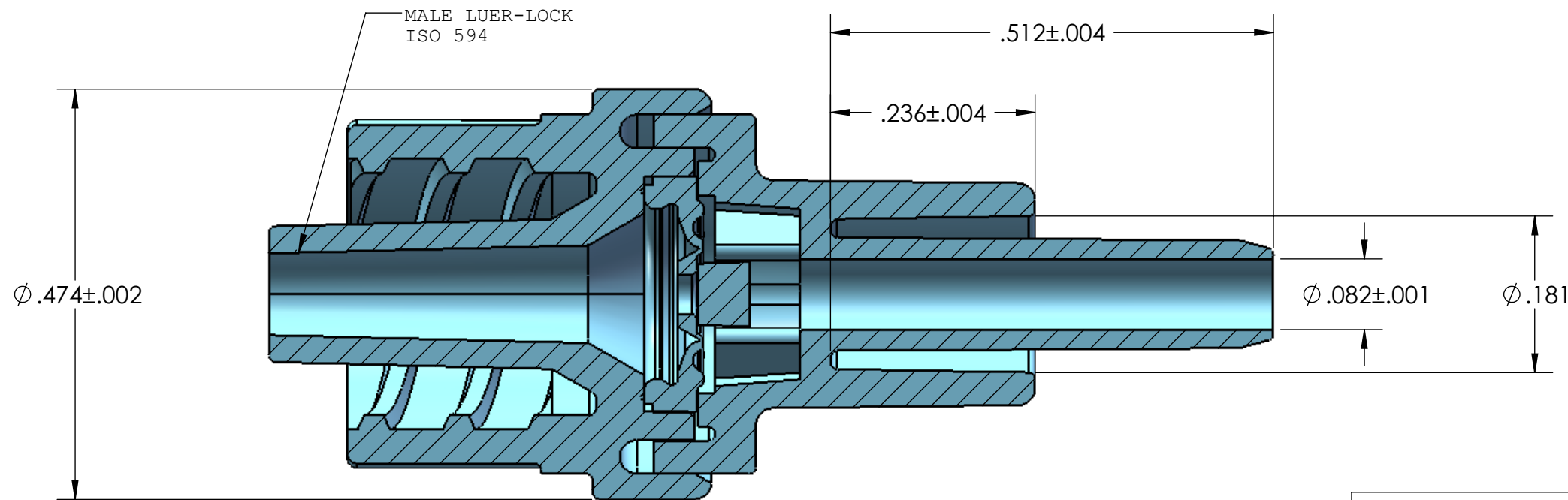


NOTES: FOR ADDITIONAL DETAILS, PLEASE CONTACT VP CUSTOMER SERVICE

REVISIONS			
REV.	DESCRIPTION	DATE	APPROVED
A	INITIAL RELEASE	01/20/09	Rick C.



DIRECTION OF FLUID FLOW



SECTION A-A

UNLESS OTHERWISE SPECIFIED DIMENSIONS ARE IN INCHES TOLERANCES ARE:		VALUE PLASTICS, INC	
FRACTIONS	DECIMAL	ANGULAR	PART NUMBER: SCV22050
±	.XX ±.01	± 1°	DESCRIPTION: Check Valve, Socket for .118" (3.0 mm) ID x .161" (4.1 mm) OD to Male Locking Luer, Clear SAN and Clear ABS w/Silicone Diaphragm
	.XXX ±.005		SIZE: B SCALE: NTS DWG. NO. 1014466 REV A
	.XXXX ±.001		© 2009 VALUE PLASTICS, INC SHEET: 1 OF 1
DO NOT SCALE DRAWING			
DRAWN BY: MICHELE SCHENK	DATE: 1/20/2009		
ENGINEERING MANAGER: RICK CAIRNS			

FOR REFERENCE ONLY