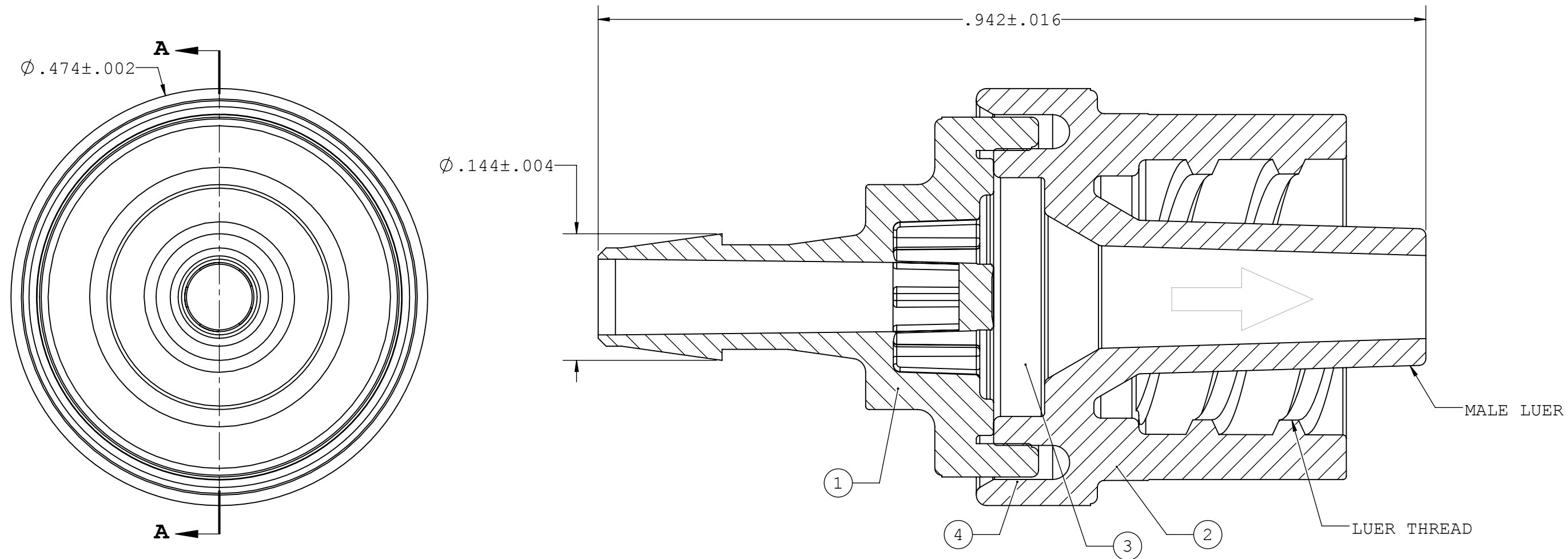
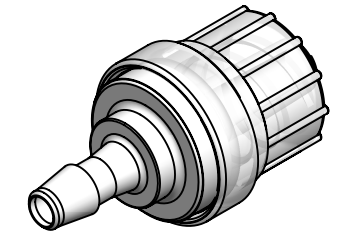


NOTES: FOR ADDITIONAL DETAILS, PLEASE CONTACT VP CUSTOMER SERVICE  
 DIMENSIONS MARKED  $\varnothing$  ARE CONTROL DIMENSIONS

REVISIONS			
REV.	DESCRIPTION	DATE	APPROVED
A	INITIAL RELEASE	06/07/13	S.N.R



**SECTION A-A**

SCV67220/ML Bill Of Materials			
POS.	QTY	DESCRIPTION	MATERIAL, COLOR
1	1	Check Valve V2000 Inlet with Barb 3/32" (2.4 mm) I.D. Tubing	MABS White
2	1	Check Valve V2000 Outlet with Male Luer Lock	SAN, Transparent
3	1	Valve Membrane V2000 IV, 60A Durometer	Silicone, Transparent
4	pc	Solvent	Tetrahydrofurane

UNLESS OTHERWISE SPECIFIED DIMENSIONS ARE IN INCHES TOLERANCES ARE:		<b>VALUE PLASTICS, INC</b>			
FRACTIONS    DECIMAL    ANGULAR ±                .XX ±.01            ± 1° .XXX ±.005 .XXXX ±.001		PART NUMBER: SCV67220/ML			
DO NOT SCALE DRAWING		DESCRIPTION: Check Valve, Barb for 3/32" (2.4 mm) ID Tubing to Male Locking Luer			
DRAWN BY: kyles	DATE: 6/7/2013	SIZE: <b>B</b>	SCALE: NTS	VER: 	DWG. NO. 1027178
MANAGER: RaviN		© 2011 VALUE PLASTICS, INC			REV A
				SHEET:	1 OF 1

**FOR REFERENCE ONLY**