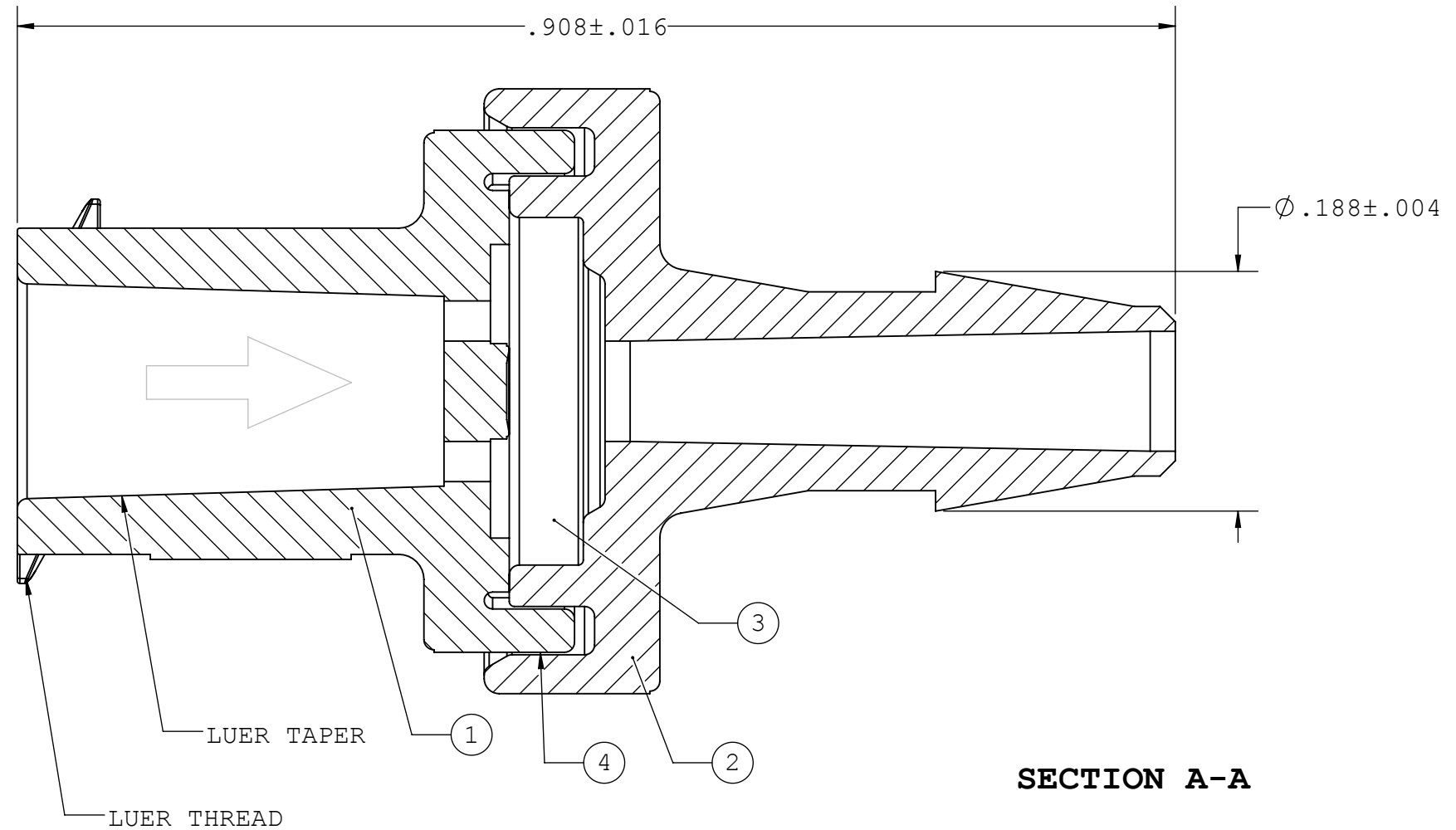
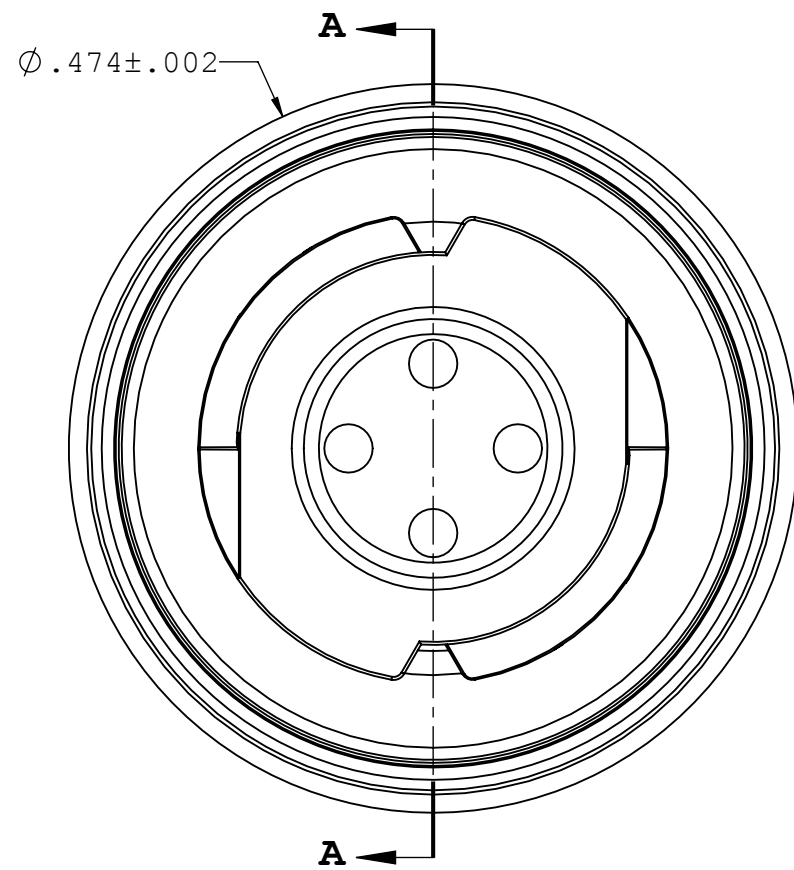
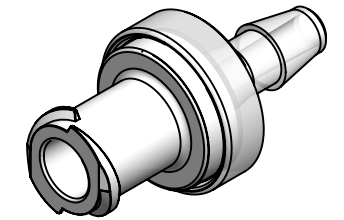


NOTES: FOR ADDITIONAL DETAILS, PLEASE CONTACT VP CUSTOMER SERVICE  
DIMENSIONS MARKED  $\varnothing$  ARE CONTROL DIMENSIONS

REVISIONS			
REV.	DESCRIPTION	DATE	APPROVED
A	INITIAL RELEASE	06/07/13	S.N.R



SECTION A-A

SCV67FL/230 Bill Of Materials			
POS.	QTY	DESCRIPTION	MATERIAL, COLOR
1	1	Check Valve V2000 Inlet with Female Luer Lock	SAN White
2	1	Check Valve V2000 Outlet with Barb 1/8" (3.2 mm) I.D. Tubing	MABS, Transparent
3	1	Valve Membrane V2000 IV, 60A Durometer	Silicone, Transparent
4	pc	Solvent	Tetrahydrofurane

UNLESS OTHERWISE SPECIFIED DIMENSIONS ARE IN INCHES TOLERANCES ARE: FRACTIONS DECIMAL ANGULAR ± .XX ± .01 ± 1° ± .XXX ± .005 ± .XXXX ± .001 DO NOT SCALE DRAWING		<b>VALUE PLASTICS, INC</b>			
DRAWN BY: kyles		DATE: 6/7/2013		SIZE: <b>B</b>	SCALE: NTS
MANAGER: RaviN		DWG. NO. 1027181		VER:	REV A
© 2011 VALUE PLASTICS, INC					SHEET: 1 OF 1

**FOR REFERENCE ONLY**