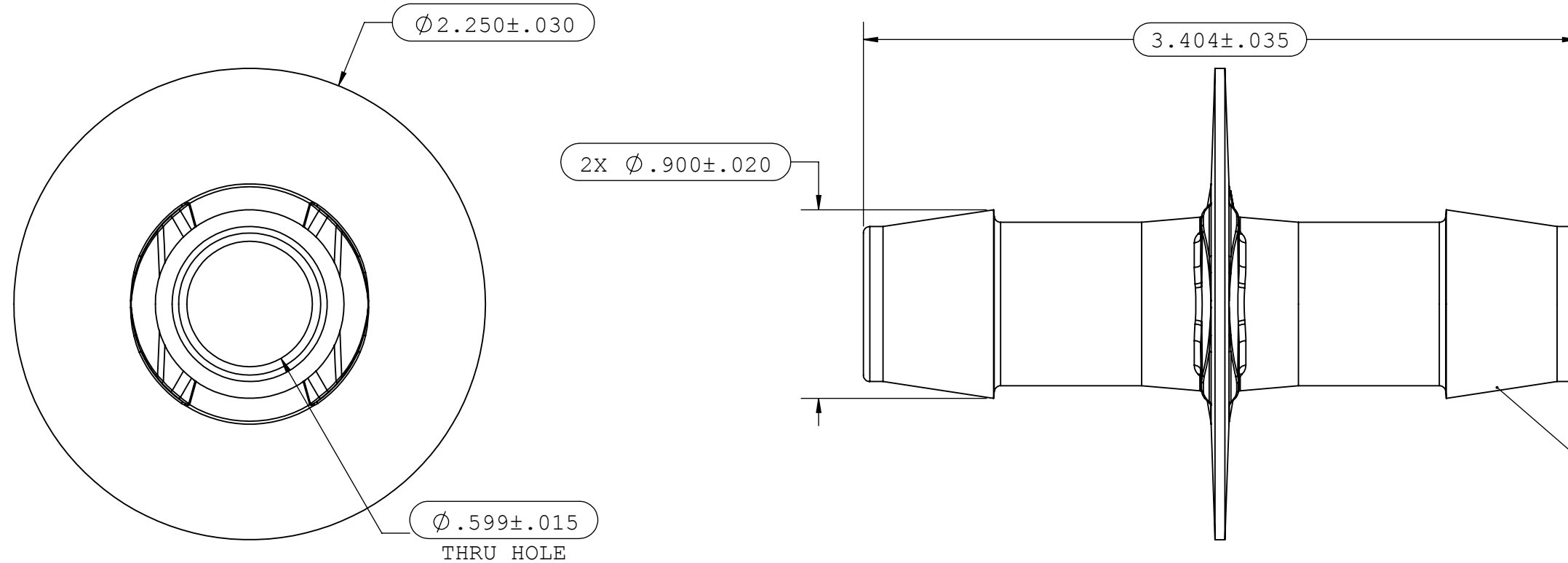
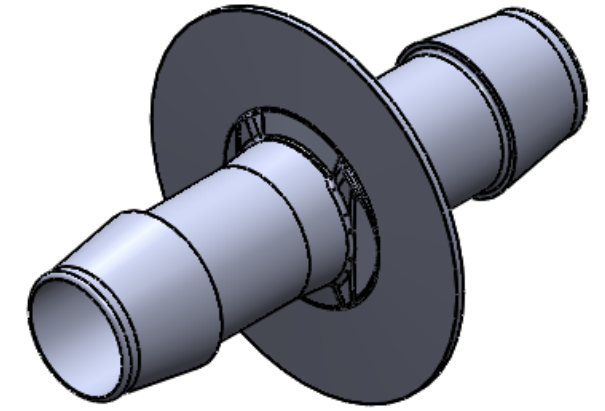


NOTES: FOR ADDITIONAL DETAILS, PLEASE CONTACT VP CUSTOMER SERVICE
 DIMENSIONS MARKED ϕ ARE CONTROL DIMENSIONS

REVISIONS			
REV.	DESCRIPTION	DATE	APPROVED
A	INITIAL RELEASE	05-19-14	H.L.



2X INSTRUMENT QUALITY PART.
 NO PARTING LINES PERMITTED
 ON THIS SEALING SURFACE.

UNLESS OTHERWISE SPECIFIED DIMENSIONS ARE IN INCHES TOLERANCES ARE:		VALUE PLASTICS, INC			
FRACTIONS DECIMAL ANGULAR \pm .XX \pm .01 \pm 1° .XXX \pm .005 .XXXX \pm .001 DO NOT SCALE DRAWING		PART NUMBER: SFBP6100_6100			
DESCRIPTION: Dip Tube (Opposable Barbs) with two 600 Series Barbs, 3/4" (19.0 mm) Tubing ID		SIZE: B	SCALE: NTS	VER:	DWG. NO. 1030639
DRAWN BY: kyles	DATE: 6/10/2014	© 2011 VALUE PLASTICS, INC			REV: A
MANAGER: RaviN		SHEET: 1 OF 1			

FOR REFERENCE ONLY