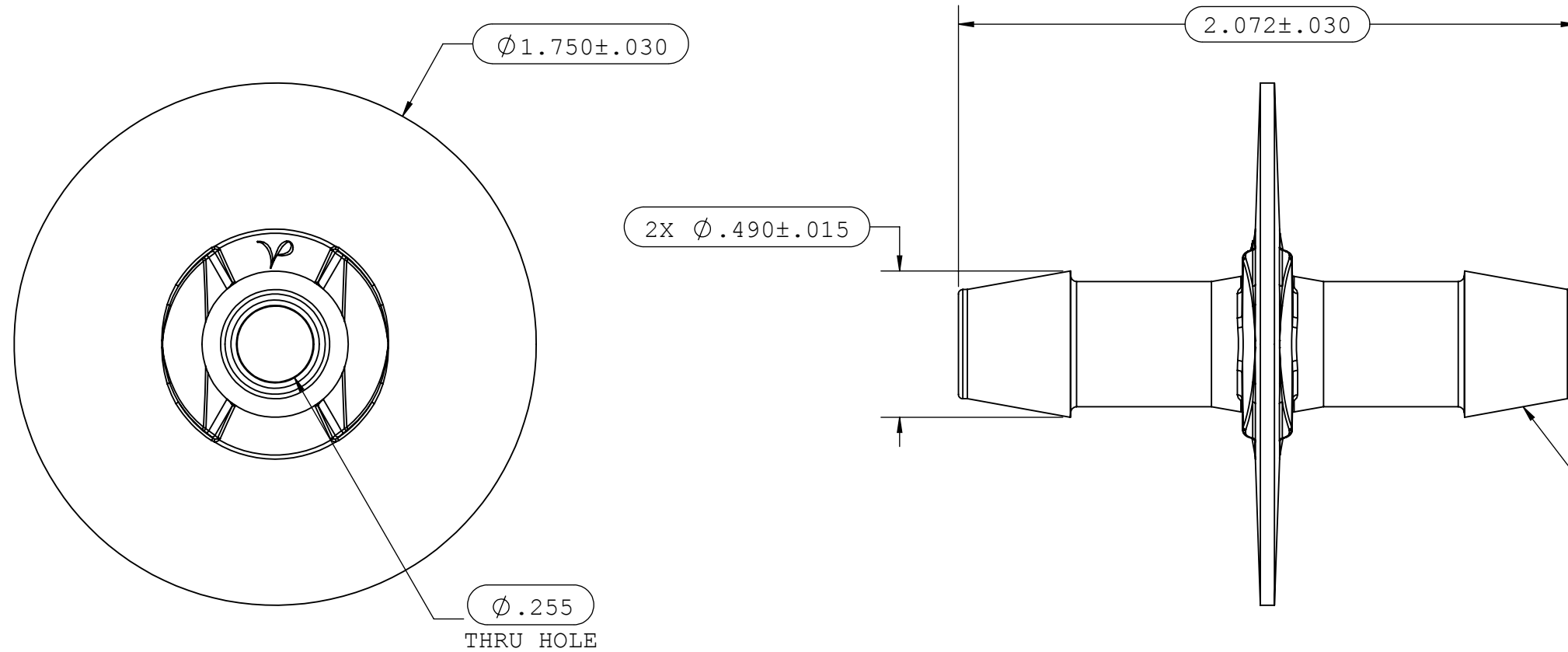
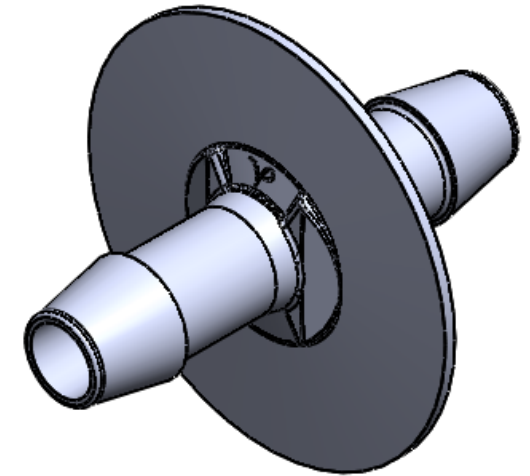


NOTES: FOR ADDITIONAL DETAILS, PLEASE CONTACT VP CUSTOMER SERVICE
 DIMENSIONS MARKED ϕ ARE CONTROL DIMENSIONS

REVISIONS			
REV.	DESCRIPTION	DATE	APPROVED
A	INITIAL RELEASE	05-19-14	H.L.



2X INSTRUMENT QUALITY PART.
 NO PARTING LINES PERMITTED
 ON THIS SEALING SURFACE.

UNLESS OTHERWISE SPECIFIED DIMENSIONS ARE IN INCHES TOLERANCES ARE:		VALUE PLASTICS, INC			
FRACTIONS DECIMAL ANGULAR \pm .XX $\pm .01$ $\pm 1^\circ$.XXX $\pm .005$.XXXX $\pm .001$		PART NUMBER: SFBP670_670			
DO NOT SCALE DRAWING		DESCRIPTION: Dip Tube (Opposable Barbs) with two 600 Series Barbs, 3/8" (9.5 mm) Tubing ID			
DRAWN BY: kyles	DATE: 6/10/2014	SIZE: B	SCALE: NTS	VER: 	DWG. NO. 1030646
MANAGER: RaviN		© 2011 VALUE PLASTICS, INC			REV A
				SHEET: 1 OF 1	

FOR REFERENCE ONLY