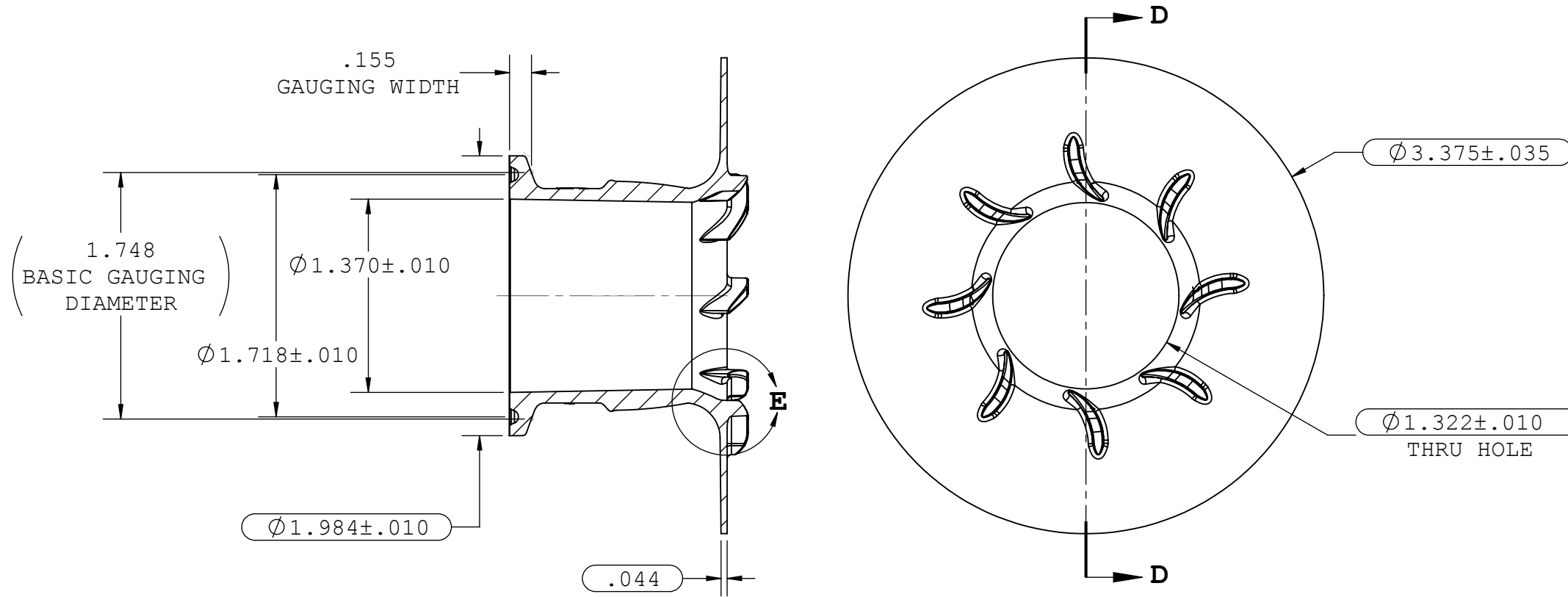
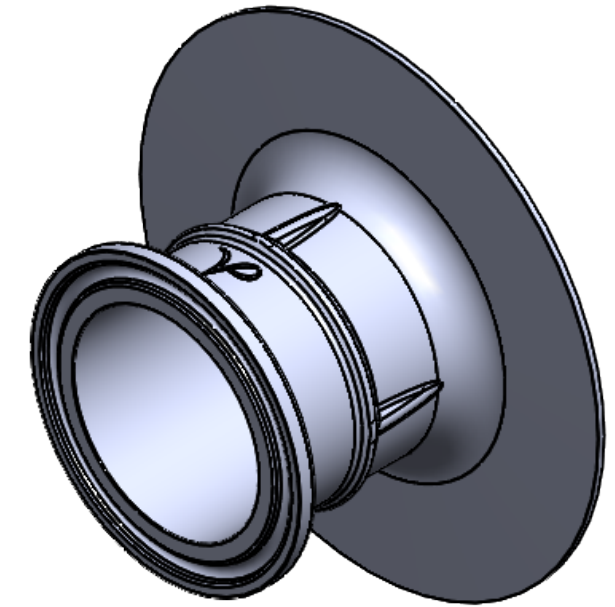


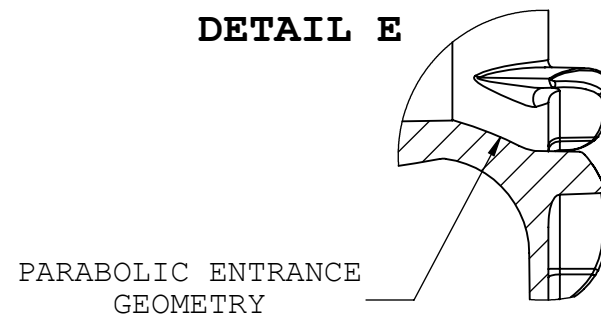
- NOTES: 1) FOR ADDITIONAL DETAILS, PLEASE CONTACT VP CUSTOMER SERVICE
 2) DIMENSIONS MARKED \varnothing ARE CONTROL DIMENSIONS
 3) ALL INTERIOR SURFACES HAVE A 15 Ra MICROINCH SURFACE FINISH OR FINER
 4) ALL EXTERIOR SURFACES HAVE A 20 Ra MICROINCH SURFACE FINISH OR FINER
 5) VALUE PLASTICS SFMX SERIES FERRULES ARE DESIGNED TO COMPLY WITH ASME BPE-2014 TABLE DT-7-1 HYGIENIC CLAMP FERRULE STANDARD DIMENSIONS & TOLERANCES; DT-9.3-1 HYGIENIC CLAMP FERRULE: DESIGN CRITERIA. REF PM-4.6.1.2. PERFORMANCE NOTE.
 6) ALL INTERIOR AND EXTERIOR SURFACE FINISHES COMPLY WITH ASME BPE-2016 TABLE SF-3.4-1 SFP2 Ra Readings for Polymeric Product Contact Surfaces
 7) USE CG076 TO MEASURE GASKET GROOVE DIMENSIONS

REVISIONS			
REV.	DESCRIPTION	DATE	APPROVED
A	INITIAL RELEASE	1/10/12	S.N.R
B	ECO 369	02-26-18	FJL



SECTION D-D

DETAIL E



UNLESS OTHERWISE SPECIFIED DIMENSIONS ARE IN INCHES TOLERANCES ARE:		VALUE PLASTICS, INC			
FRACTIONS DECIMAL ANGULAR \pm .XX $\pm .01$ $\pm 1^\circ$.XXX $\pm .005$.XXXX $\pm .001$		PART NUMBER: SFBPF1			
DO NOT SCALE DRAWING		DESCRIPTION: SANITARY FITTING BAG PORT FLANGE TO 1/2" TRICLAMP CONNECTION			
DRAWN BY: kyles	DATE: 2/26/2018	SIZE: B	SCALE: NTS	VER: 	DWG. NO. 1021912
NEW PRODUCT DEVELOPMENT MGR: R. Narayanan		© 2010 VALUE PLASTICS, INC			REV B
					SHEET: 1 OF 1

FOR REFERENCE ONLY