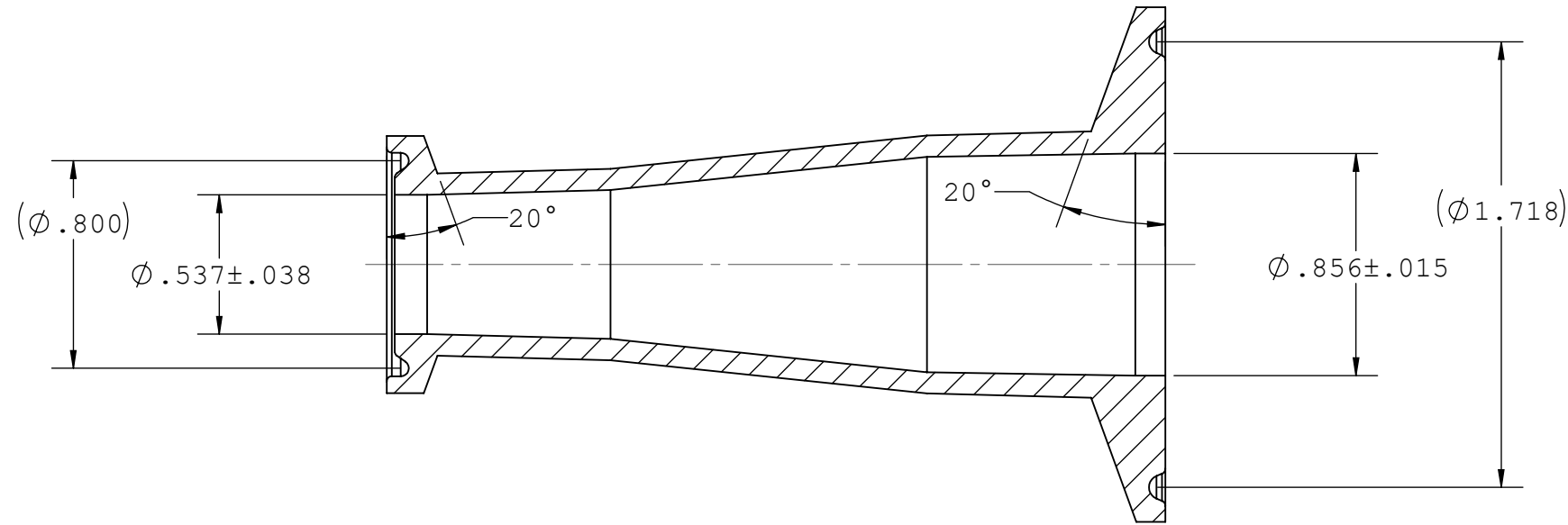
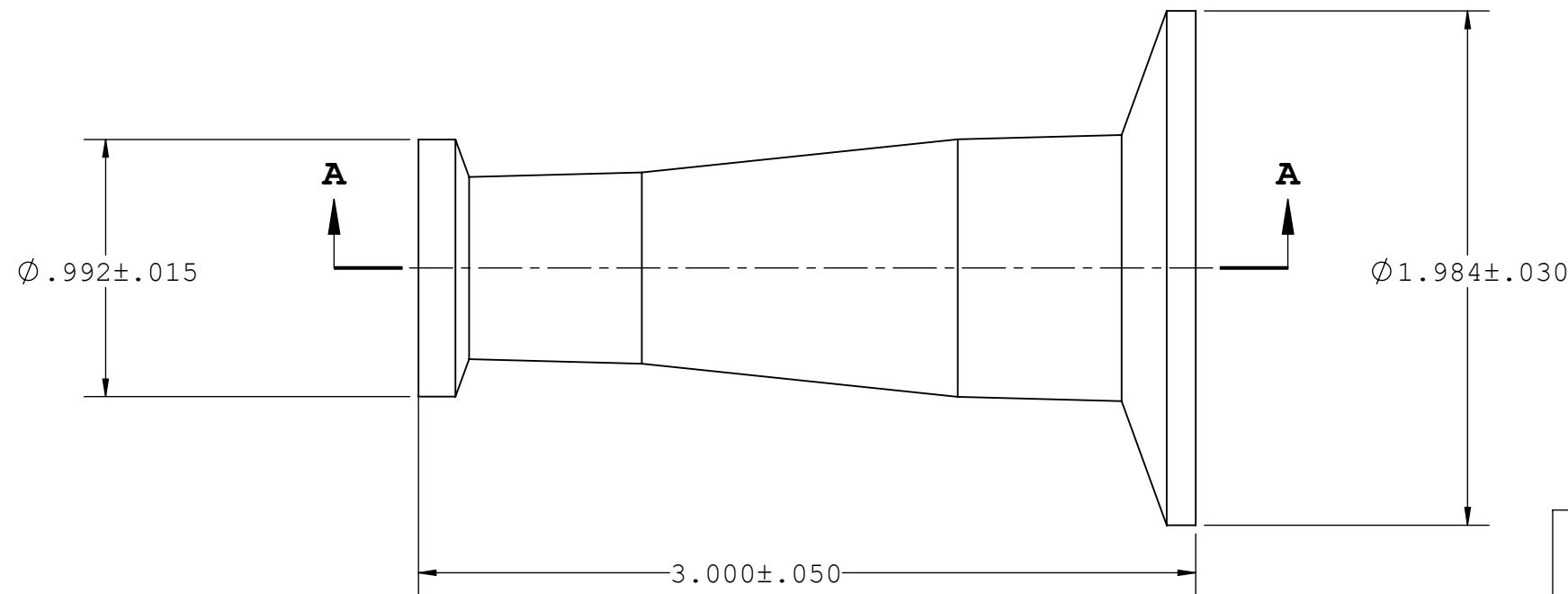
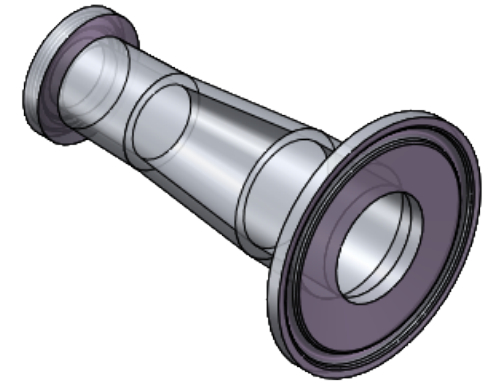


- NOTES: 1. FOR ADDITIONAL DETAILS, PLEASE CONTACT VP PRODUCT DEVELOPMENT  
 2. DIMENSIONS MARKED  $\phi$  ARE CONTROL DIMENSIONS  
 3. FERRULE END CAPS ARE DESIGNED TO WORK WITH COMMON COMPONENTS USED IN BIOPROCESSING INDUSTRY

REVISIONS			
REV.	DESCRIPTION	DATE	APPROVED
A	INITIAL RELEASE	03-29-19	FJL
B	ECO 1080165	05-15-19	FJL



**SECTION A-A**



UNLESS OTHERWISE SPECIFIED DIMENSIONS ARE IN INCHES TOLERANCES ARE:		<b>VALUE PLASTICS, INC</b>			
FRACTIONS    DECIMAL    ANGULAR ±            .XX ±.01            ± 1° .XXX ±.005 .XXXX ±.001		PART NUMBER: SFM100-SFM075			
DO NOT SCALE DRAWING		DESCRIPTION: Sanitary Fitting, Concentric Reducer 1" Ladish TC x 3/4" Mini TC			
DRAWN BY: Frank.Lombardi	DATE: 5/15/2019	SIZE: <b>B</b>	SCALE: NTS	VER: 	DWG. NO. 1078644
NEW PRODUCT DEVELOPMENT MGR: Doug Kimmel		© 2007 VALUE PLASTICS, INC			REV B
				SHEET: 1 OF 1	

**FOR REFERENCE ONLY**