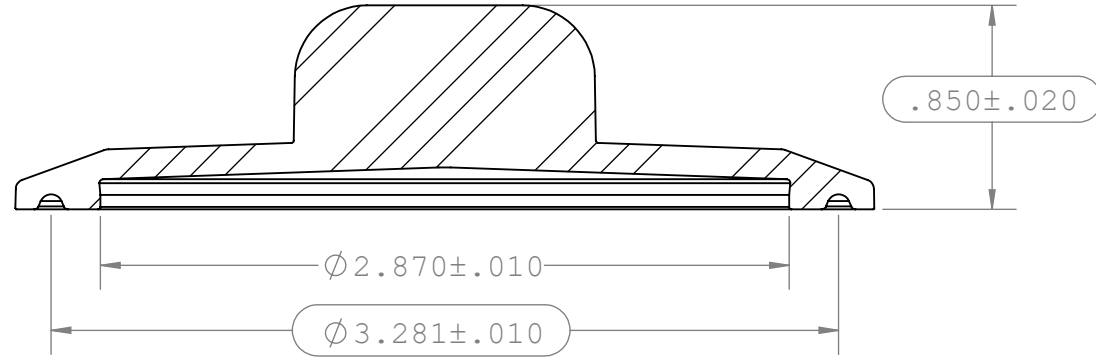


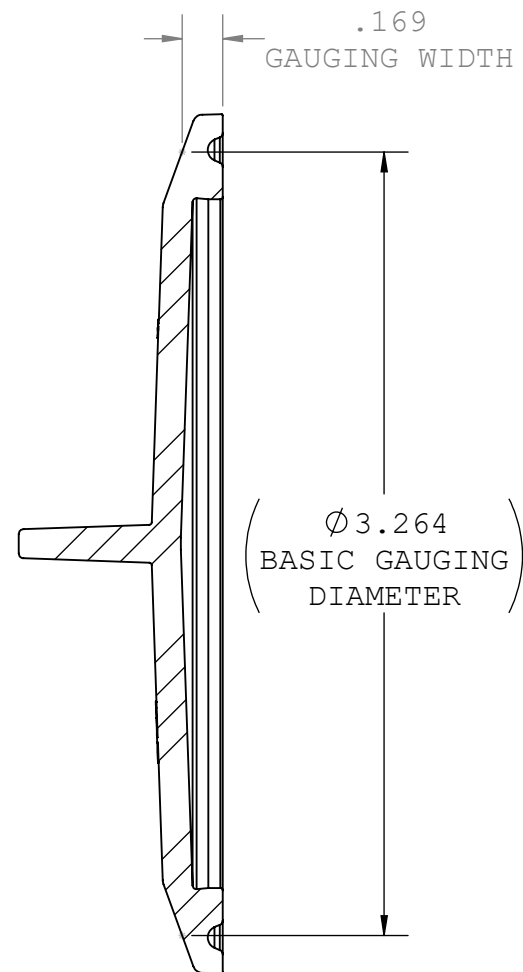
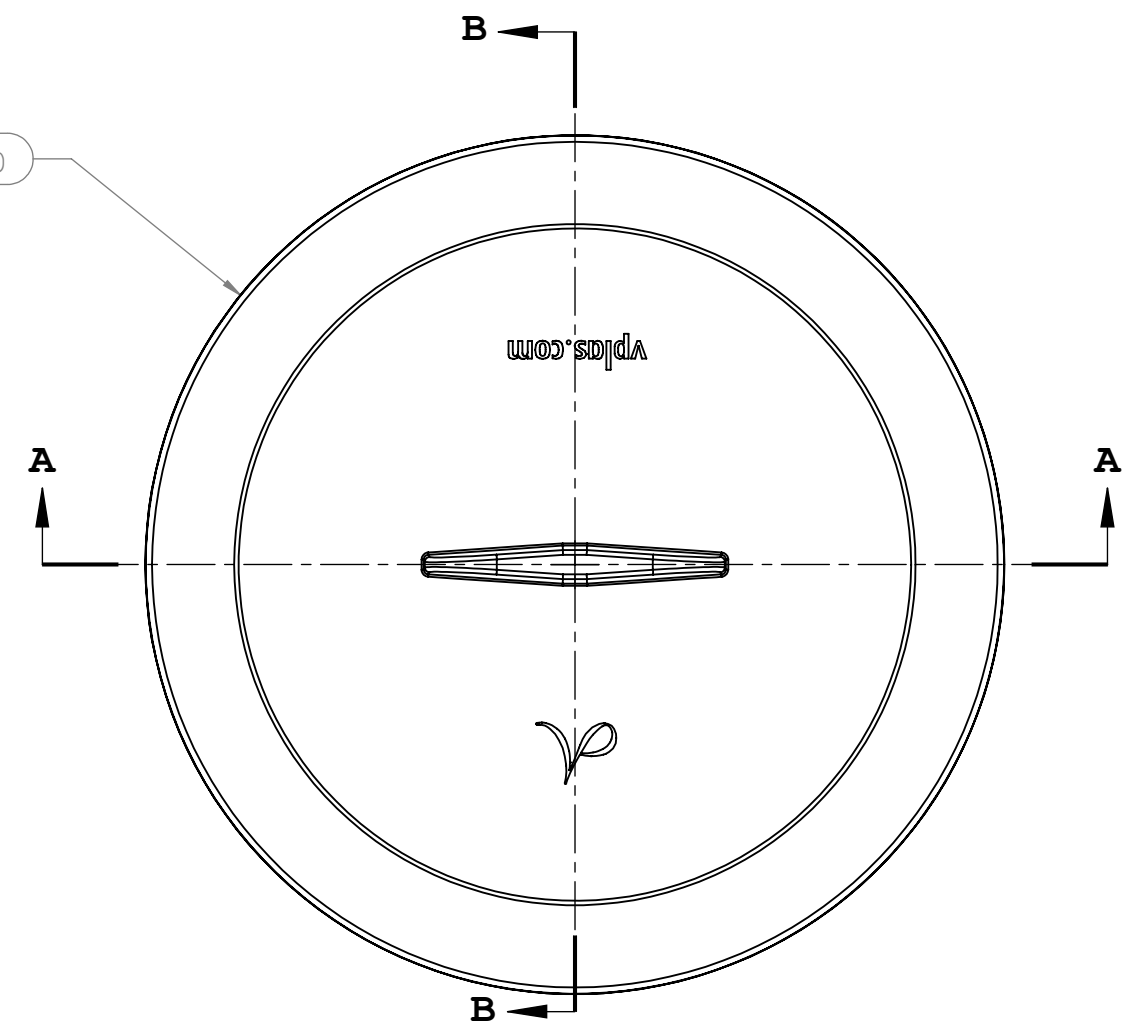
NOTES: FOR ADDITIONAL DETAILS, PLEASE CONTACT VP CUSTOMER SERVICE
 DIMENSIONS MARKED ARE CONTROL DIMENSIONS

REVISIONS			
REV.	DESCRIPTION	DATE	APPROVED
A	INITIAL RELEASE	01-09-23	FJL

SECTION A-A



$\phi 3.576 \pm .010$



SECTION B-B

UNLESS OTHERWISE SPECIFIED DIMENSIONS ARE IN INCHES TOLERANCES ARE:		VALUE PLASTICS, INC			
FRACTIONS DECIMAL ANGULAR ± .XX ±.01 ± 1° .XXX ±.005 .XXXX ±.001		PART NUMBER: SFM3XC			
DO NOT SCALE DRAWING		DESCRIPTION: Sanitary Fitting, 3.0" Cap			
DRAWN BY: andrew.watts	DATE: 1/9/2023	SIZE: B	SCALE: NTS	VER: 	DWG. NO. 1350194
MANAGER: Fank.Lombardi		© 2014 VALUE PLASTICS, INC			REV A
SHEET: 1 OF 1					

FOR REFERENCE ONLY