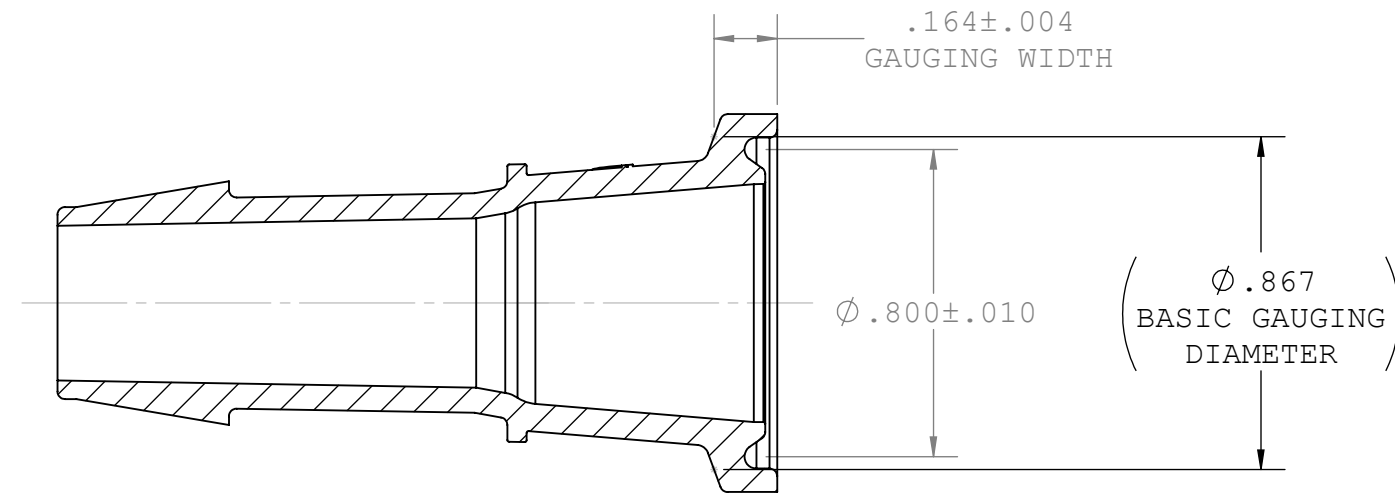
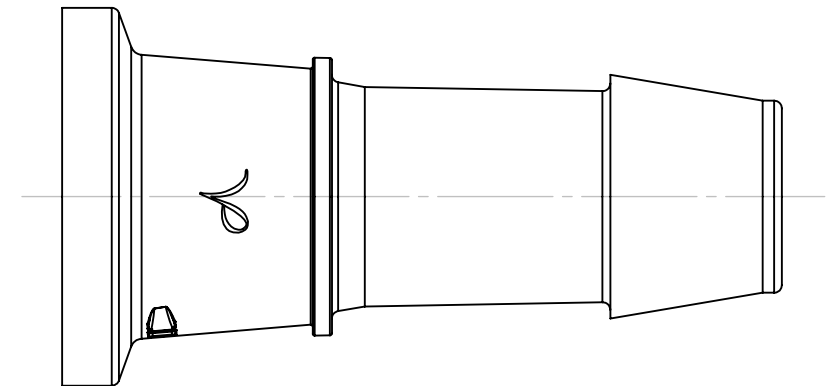
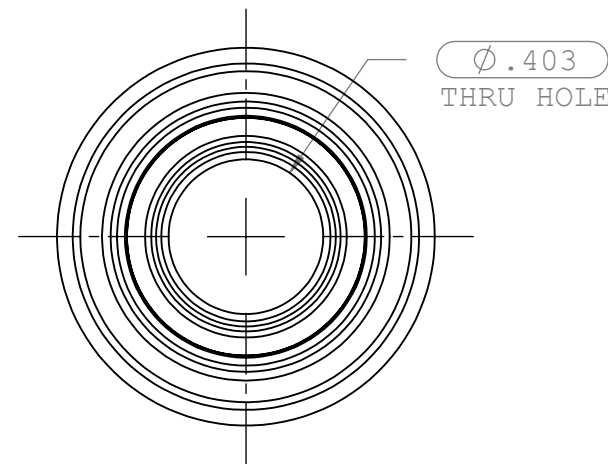
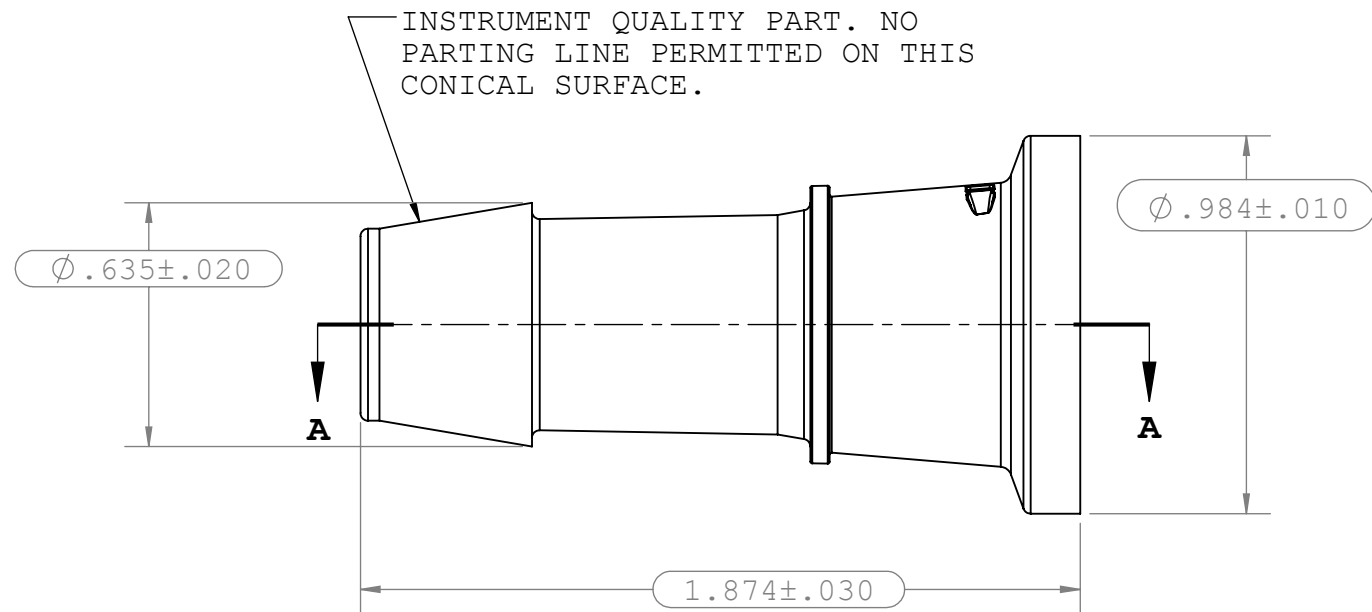
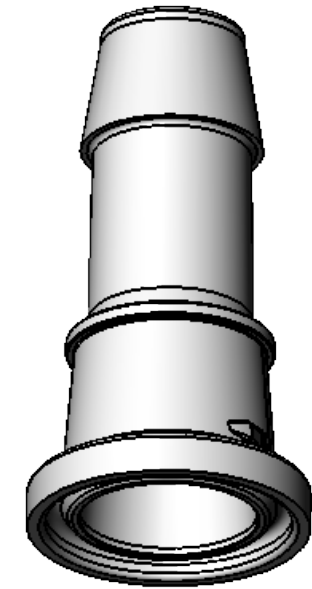


REVISIONS			
REV.	DESCRIPTION	DATE	APPROVED
D	ECO 248	10-11-13	S.N.R
E	ECO 313	03-08-17	FJL
F	ECO 313 GATE CHANGE	05-10-17	FJL



**SECTION A-A**



- NOTES:
- FOR ADDITIONAL DETAILS, PLEASE CONTACT VP PRODUCT DEVELOPMENT
  - DIMENSIONS MARKED  $\text{---}$  ARE CONTROL DIMENSIONS
  - ALL EXTERIOR SURFACES HAVE A MAXIMUM OF 20 Ra MICROINCH SURFACE FINISH
  - ALL INTERIOR SURFACES HAVE A MAXIMUM OF 15 Ra MICROINCH SURFACE FINISH
  - VALUE PLASTICS SFMN SERIES FERRULES ARE DESIGNED TO COMPLY WITH ASME BPE-2014 TABLE DT-7-1 HYGIENIC CLAMP FERRULE STANDARD DIMENSIONS & TOLERANCES; DT-9.3-1 HYGIENIC CLAMP FERRULE: DESIGN CRITERIA. REF PM-4.6.1.2. PERFORMANCE NOTE.
  - ALL INTERIOR AND EXTERIOR SURFACE FINISHES COMPLY WITH ASME BPE-2016 TABLE SF-3.4-1 SFP2 Ra Readings for Polymeric Product Contact Surfaces

UNLESS OTHERWISE SPECIFIED DIMENSIONS ARE IN INCHES TOLERANCES ARE:		<b>VALUE PLASTICS, INC</b>			
FRACTIONS	DECIMAL				
±	.XX ±.01	± 1°			
	.XXX ±.005				
	.XXXX ±.001				
DO NOT SCALE DRAWING					
PART NUMBER: SFMN680		DESCRIPTION: Sanitary Fitting, Mini Flange to 600 Series Barb, 1/2" (12.7 mm) Tubing ID			
DRAWN BY: petel	DATE: 5/11/2017	SIZE: B	SCALE: NTS	VER:	DWG. NO. 1010494
NEW PRODUCT DEVELOPMENT MGR: R. Narayanan		© 2008 VALUE PLASTICS, INC		SHEET: 1 OF 1	

**FOR REFERENCE ONLY**