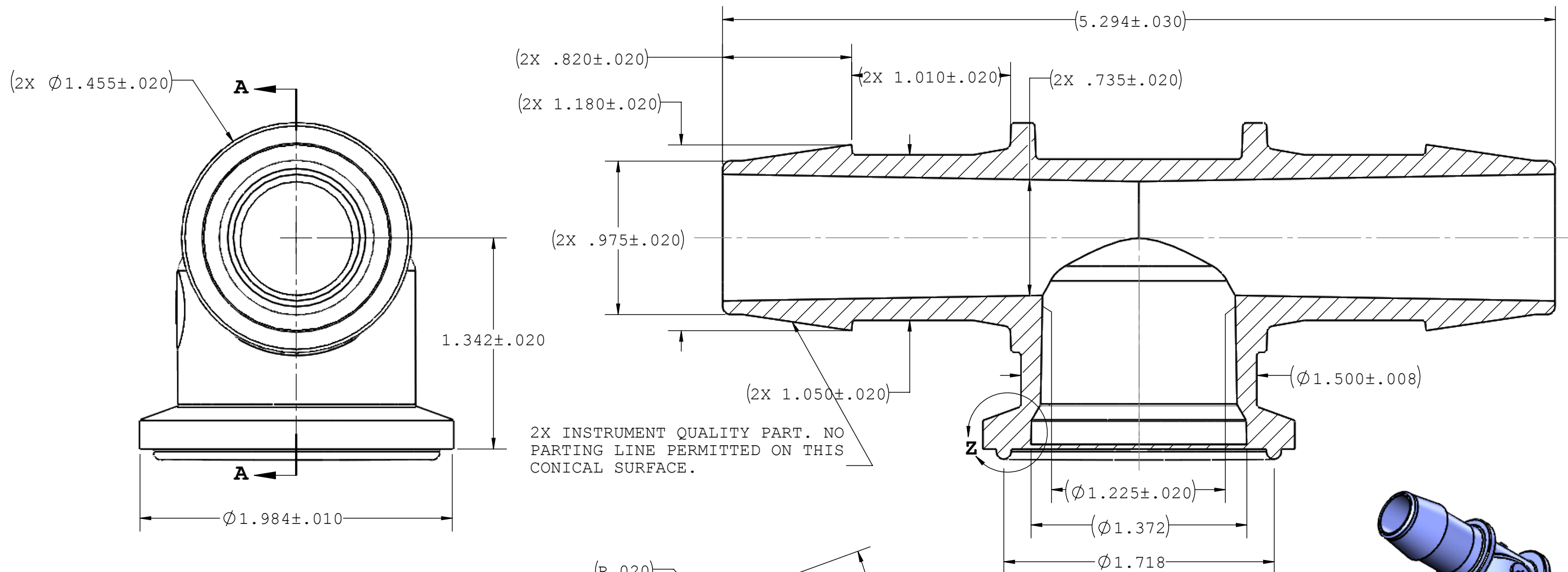


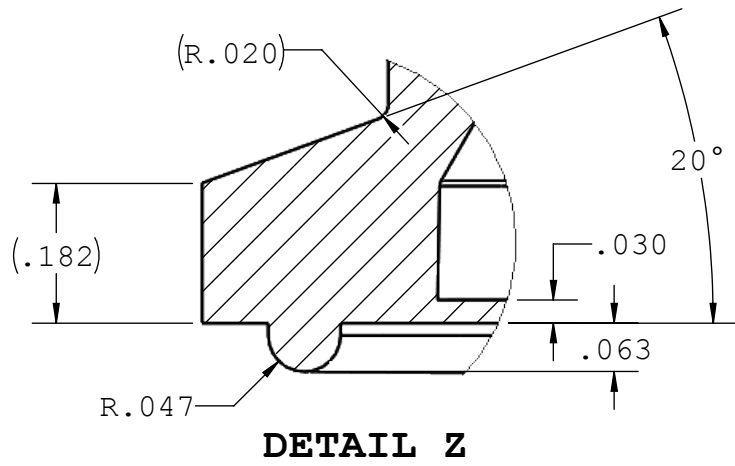
- NOTES:
- FOR ADDITIONAL DETAILS, PLEASE CONTACT VP PRODUCT DEVELOPMENT
  - DIMENSIONS MARKED (---) ARE CONTROL DIMENSIONS
  - REFERENCE DIMENSIONS ARE VERIFIED ON BASE PART
  - ALL EXTERIOR SURFACES HAVE A MAXIMUM OF 20 Ra MICROINCH SURFACE FINISH
  - ALL INTERIOR SURFACES HAVE A MAXIMUM OF 15 Ra MICROINCH SURFACE FINISH
  - VALUE PLASTICS SFMX SERIES FERRULES ARE DESIGNED TO COMPLY WITH ASME BPE-2014 TABLE DT-7-1 HYGIENIC CLAMP FERRULE STANDARD DIMENSIONS & TOLERANCES; DT-9.3-1 HYGIENIC CLAMP FERRULE: DESIGN CRITERIA. REF PM-4.6.1.2. PERFORMANCE NOTE.
  - ALL INTERIOR AND EXTERIOR SURFACE FINISHES COMPLY WITH ASME BPE-2014 TABLE SF-3.4-1 SFP2 Ra Readings for Polymeric Product Contact Surfaces

REVISIONS			
REV.	DESCRIPTION	DATE	APPROVED
A	INITIAL RELEASE	01-25-19	FJL



2X INSTRUMENT QUALITY PART. NO PARTING LINE PERMITTED ON THIS CONICAL SURFACE.

SECTION A-A



UNLESS OTHERWISE SPECIFIED DIMENSIONS ARE IN INCHES TOLERANCES ARE:		<b>VALUE PLASTICS, INC</b>			
FRACTIONS	DECIMAL				
± .XX	± .01	± 1°	DESCRIPTION:	Tee Sanitary Fitting, Maxi Flange w/ Gasket to 600 Series Barbs, 1" (25.4 mm) Tubing ID	
± .XXX	± .005		SIZE:	B	
± .XXXX	± .001		SCALE:	NTS	
DO NOT SCALE DRAWING		DATE:	DWG. NO.	1075608	
DRAWN BY:	DATE:	MANAGER:	REV:	A	
Frank.Lombardi	1/25/2019	Doug Kimmel	© 2014 VALUE PLASTICS, INC		
			SHEET:	1 OF 1	

FOR REFERENCE ONLY