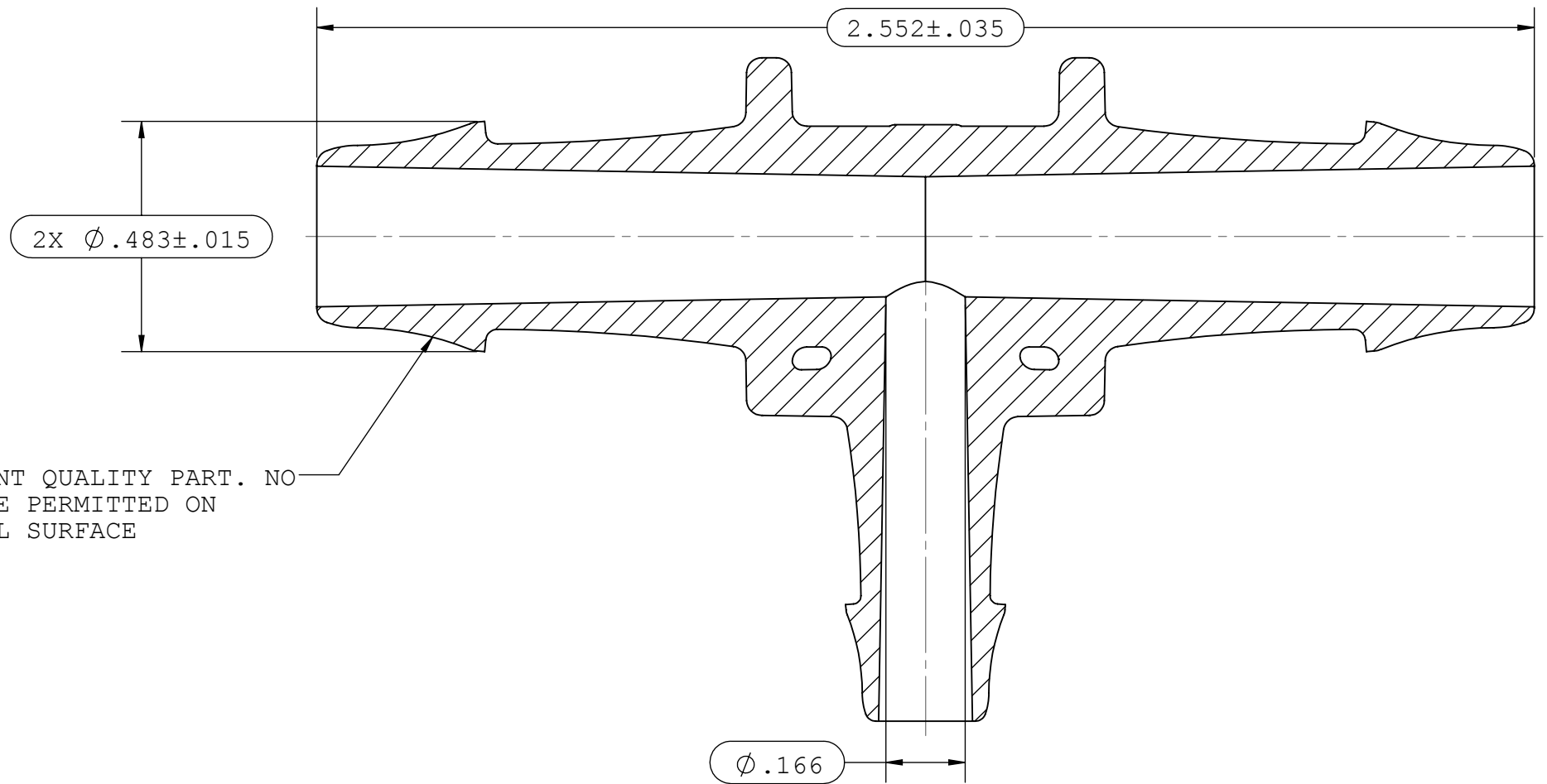
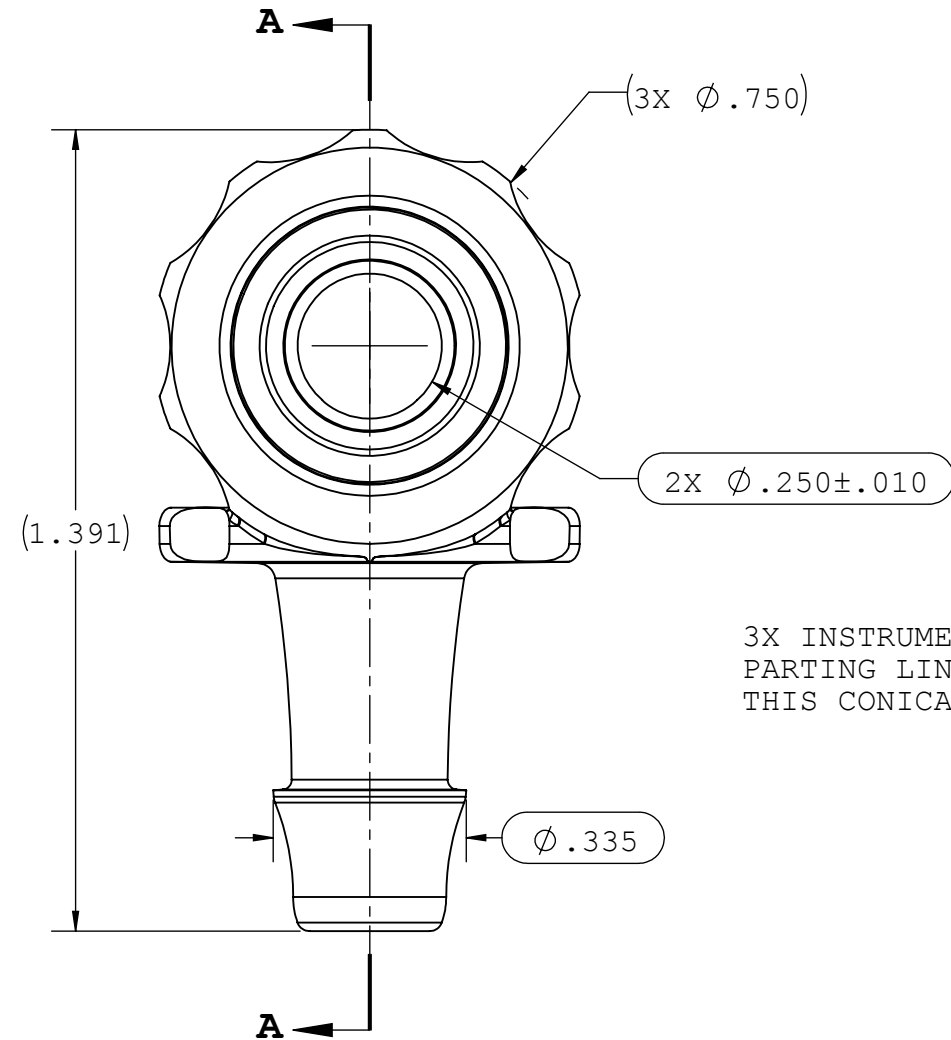


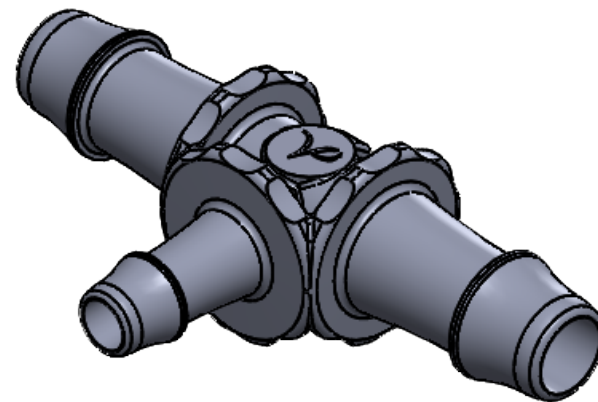
NOTES: FOR ADDITIONAL DETAILS, PLEASE CONTACT VP CUSTOMER SERVICE  
 DIMENSIONS MARKED  $\text{\textcircled{ }}$  ARE CONTROL DIMENSIONS

| REVISIONS |                        |          |          |
|-----------|------------------------|----------|----------|
| REV.      | DESCRIPTION            | DATE     | APPROVED |
| A         | INITIAL RELEASE        | 12-19-02 |          |
| B         | CO 046 DRAFTING UPDATE | 08-22-06 | RICK C.  |
| C         | ECO 331                | 01-30-17 | FJL      |



3X INSTRUMENT QUALITY PART. NO PARTING LINE PERMITTED ON THIS CONICAL SURFACE

SECTION A-A



|   |             |                            |  |      |               |         |
|---|-------------|----------------------------|--|------|---------------|---------|
| UNLESS OTHERWISE SPECIFIED DIMENSIONS ARE IN INCHES TOLERANCES ARE: |             | <b>VALUE PLASTICS, INC</b> |  |      |               |         |
| FRACTIONS   | DECIMAL     |                            |  |      |               | ANGULAR |
| ±   | .XX ±.01    | ± 1°                       | PART NUMBER: T070-055  |      |               |         |
|   | .XXX ±.005  |                            | DESCRIPTION: TEE REDUCTION CONNECTOR WITH 500 SERIES BARBS, 3/8" (9.5mm) AND 1/4" (6.25mm) ID TUBING |      |               |         |
|   | .XXXX ±.001 |                            | DO NOT SCALE DRAWING   |      |               |         |
| DRAWN BY:   | DATE:       | SIZE:                      | SCALE:   | VER: | DWG. NO.      | REV:    |
| BRYCE HIRSCHFELD  | 1/30/2017   | <b>B</b>                   | NTS  |      | 1008932       | C       |
| MANAGER:  | LOU HUADONG |                            | © 2014 VALUE PLASTICS, INC   |      | SHEET: 1 OF 1 |         |

**FOR REFERENCE ONLY**