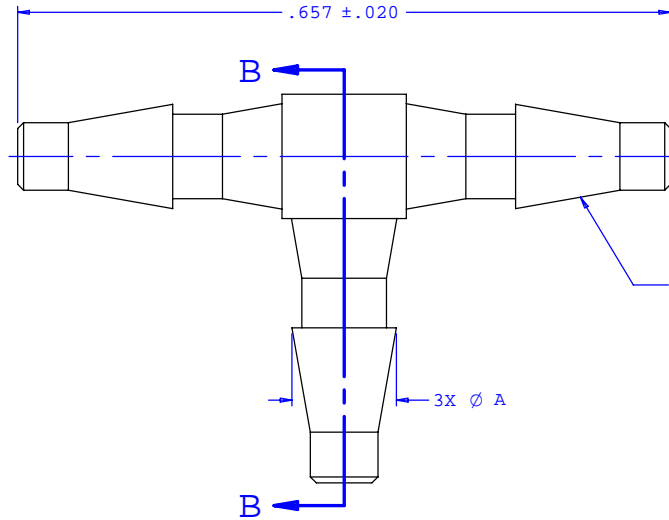
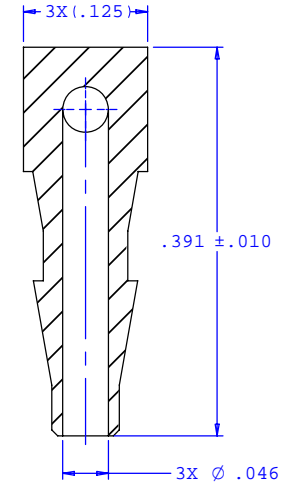


NOTE: FOR MORE DETAILS SEE YOUR V.P. CUSTOMER SERVICE REP.

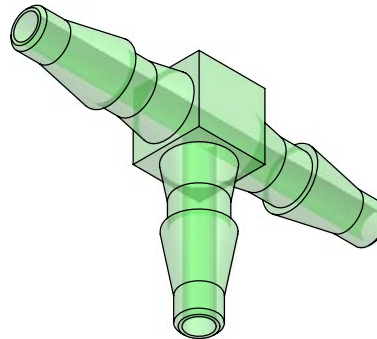
REVISIONS			
REV.	DESCRIPTION	DATE	APPROVED
A	INITIAL RELEASE	10-08-96	
B	CO 013 Drafting Update	05-04-05	Rick C.



3X INSTRUMENT QUALITY PART. NO PARTING LINE PERMITTED ON THIS CONICAL SURFACE



SECTION B-B



Dimension	Material Specific Tolerances							
	Acetal	Nylon	PP	ABS	PC	PVC	Polysulfone	J1A
A	.105	.105	.100	.105	.105	.105	.105	.100
B								
C								
D								
E								
F								

UNLESS OTHERWISE SPECIFIED DIMENSIONS ARE IN INCHES TOLERANCES ARE:		VALUE PLASTICS, INC.	
FRACTIONS ±	DECIMALS ±	ANGULAR ±1°	PART NUMBER: T10
.XX ± .005	.XXX ± .005	.XXXX ± .001	DESCRIPTION: Tee Connector with Classic Series Barbs, 1/16" (1.5 mm) ID Tubing
DO NOT SCALE DRAWING			REV. B
DRAWN BY: Frank Lombardi	DATE: 4-18-05	SIZE: B SCALE: NTS	DRAWING NUMBER: 1005589
Engineer/Manager: Rick Cairns		© 2004 VALUE PLASTICS, INC.	SHEET: 1 OF 1

FOR REFERENCE ONLY