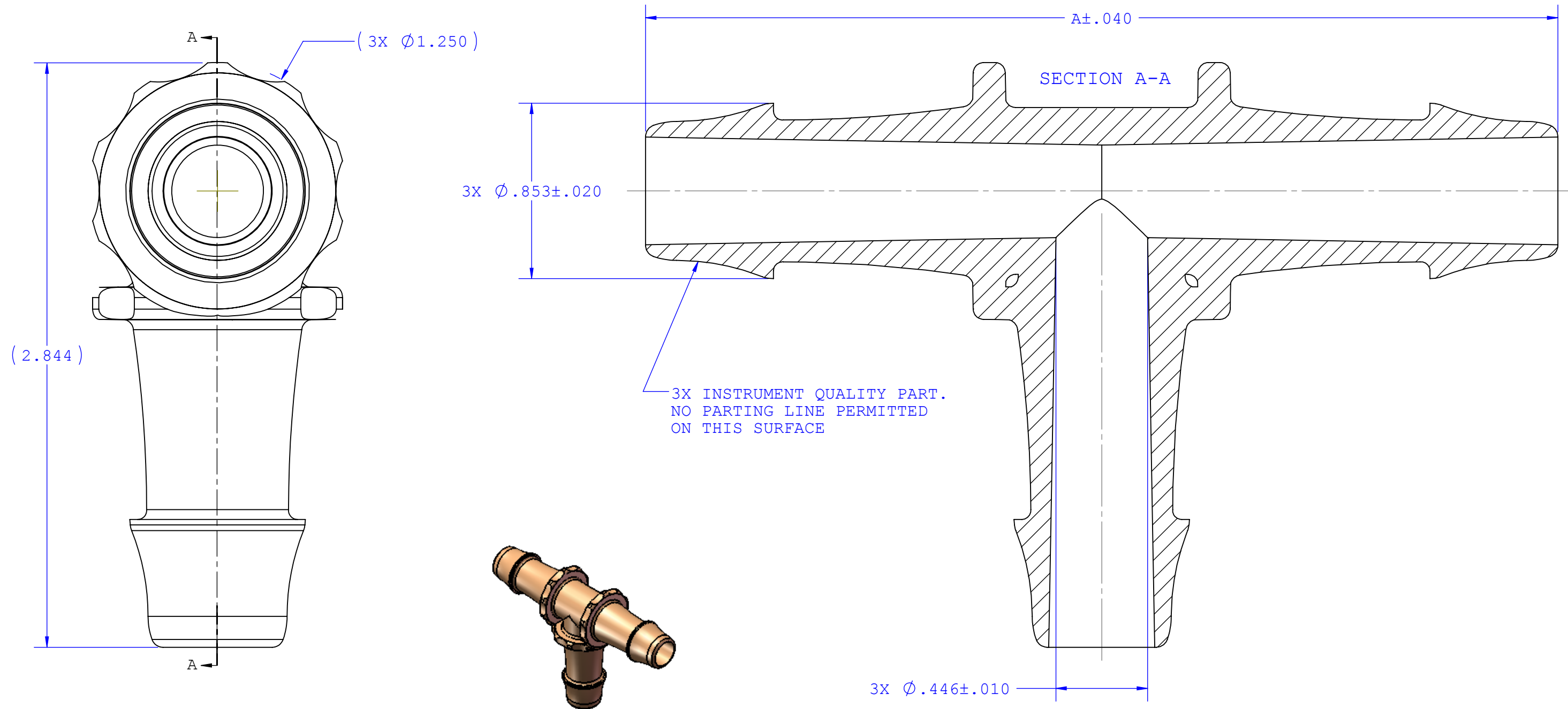


NOTES: FOR ADDITIONAL DETAILS, PLEASE CONTACT VP PRODUCT DEVELOPMENT
 DIMENSIONS MARKED  ARE CONTROL DIMENSIONS

REVISIONS			
REV.	DESCRIPTION	DATE	APPROVED
A	INITIAL RELEASE	02-11-03	
B	CO 046 Drafting Update	08-22-06	Rick C.
C	ECO 089- Add PP and PVDF Material Specific Dimensions	07-21-08	Rick C.



Dimension	Material Specific Tolerances							
	Acetal	Nylon	PP	ABS	PC	PVC	Polysulfone	PVDF
A	4.438	4.438	4.398	4.438	4.438	4.438	4.438	4.398
B								
C								
D								
E								
F								

UNLESS OTHERWISE SPECIFIED DIMENSIONS ARE IN INCHES TOLERANCES ARE: FRACTIONS DECIMAL ANGULAR ± .XX ±.01 ± 1° .XXX ±.005 .XXXX ±.001 DO NOT SCALE DRAWING		VALUE PLASTICS, INC			
DRAWN BY: randy.sakurada		DATE: 8/18/2008		PART NUMBER: T100	
ENGINEERING MGR: R. Cairns		SIZE: B	SCALE: NTS	VER: 1008938	REV: C
DESCRIPTION: Tee Connector with 500 Series Barbs, 3/4" (19mm) ID Tubing				SHEET: 1 OF 1	
© 2008 VALUE PLASTICS, INC					

FOR REFERENCE ONLY