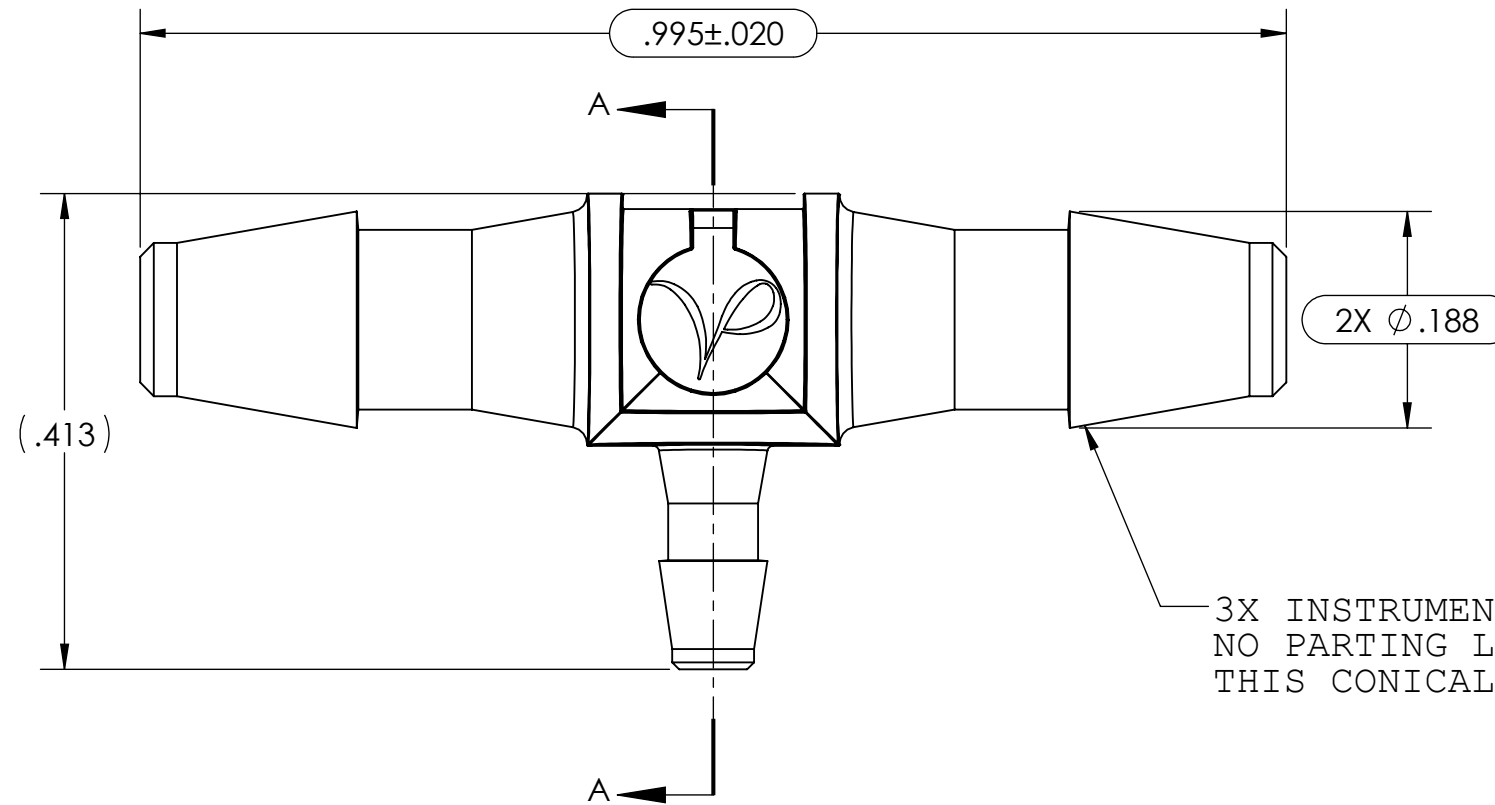
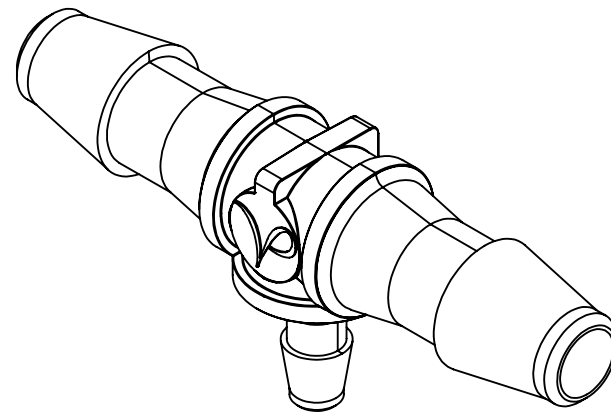
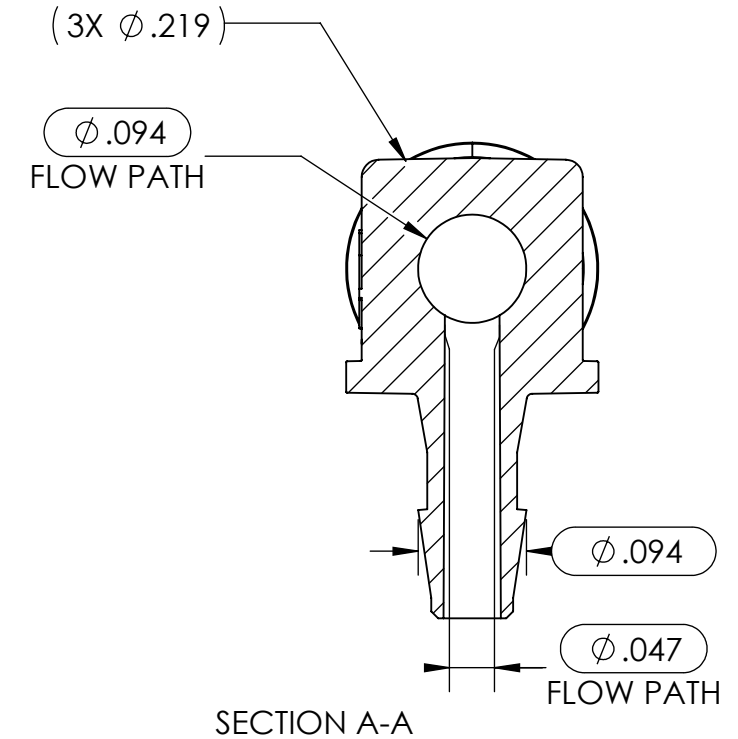


NOTES: FOR ADDITIONAL DETAILS, PLEASE CONTACT VP NEW PRODUCT DEVELOPMENT  
 DIMENSIONS MARKED    ARE CONTROL DIMENSIONS

REVISIONS			
REV.	DESCRIPTION	DATE	APPROVED
A	INITIAL RELEASE	10-01-02	
B	CO 018 DRAFTING UPDATE	08-18-05	Rick C.
C	ECO 378	11-06-18	FJL



3X INSTRUMENT QUALITY PART.  
 NO PARTING LINE PERMITTED ON  
 THIS CONICAL SURFACE



UNLESS OTHERWISE SPECIFIED DIMENSIONS ARE IN INCHES TOLERANCES ARE:		<b>VALUE PLASTICS, INC</b>			
FRACTIONS ±	DECIMAL . XX ±.01 .XXX ±.005 .XXXX ±.001	ANGULAR ± 1°	PART NUMBER: T230-210		
DO NOT SCALE DRAWING			DESCRIPTION: Tee Reduction Connector with 200 Series Barbs, 1/8" (3 mm) and 1/16" (1.5mm) ID Tubing		
DRAWN BY: marie.morleyjahn	DATE: 11/6/2018	SIZE: <b>B</b>	SCALE: NTS	VER: 	DWG. NO. 1006944
MANAGER: doug.kimmel		© 2017 VALUE PLASTICS, INC		REV C	
				SHEET: 1 OF 1	