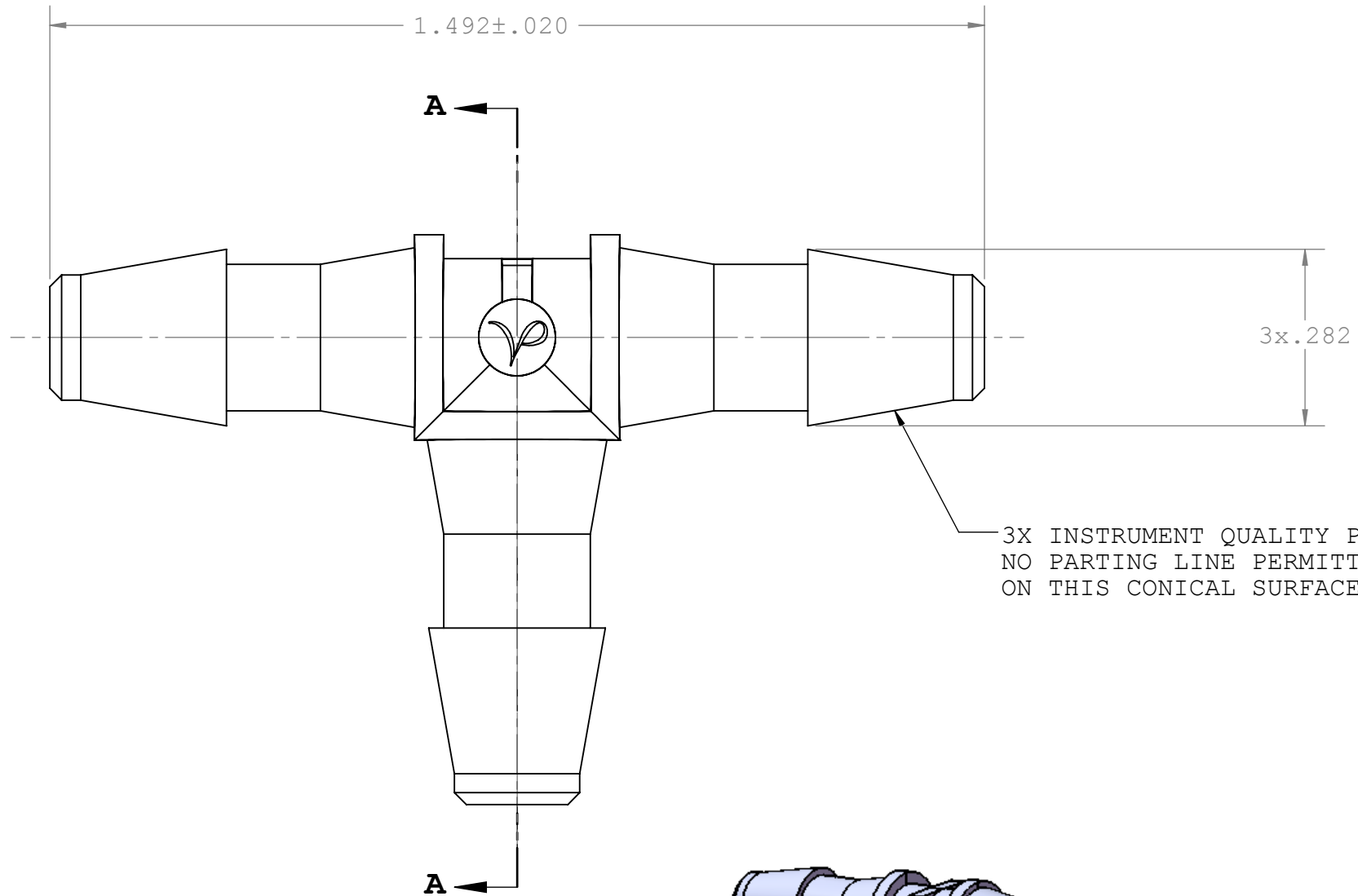


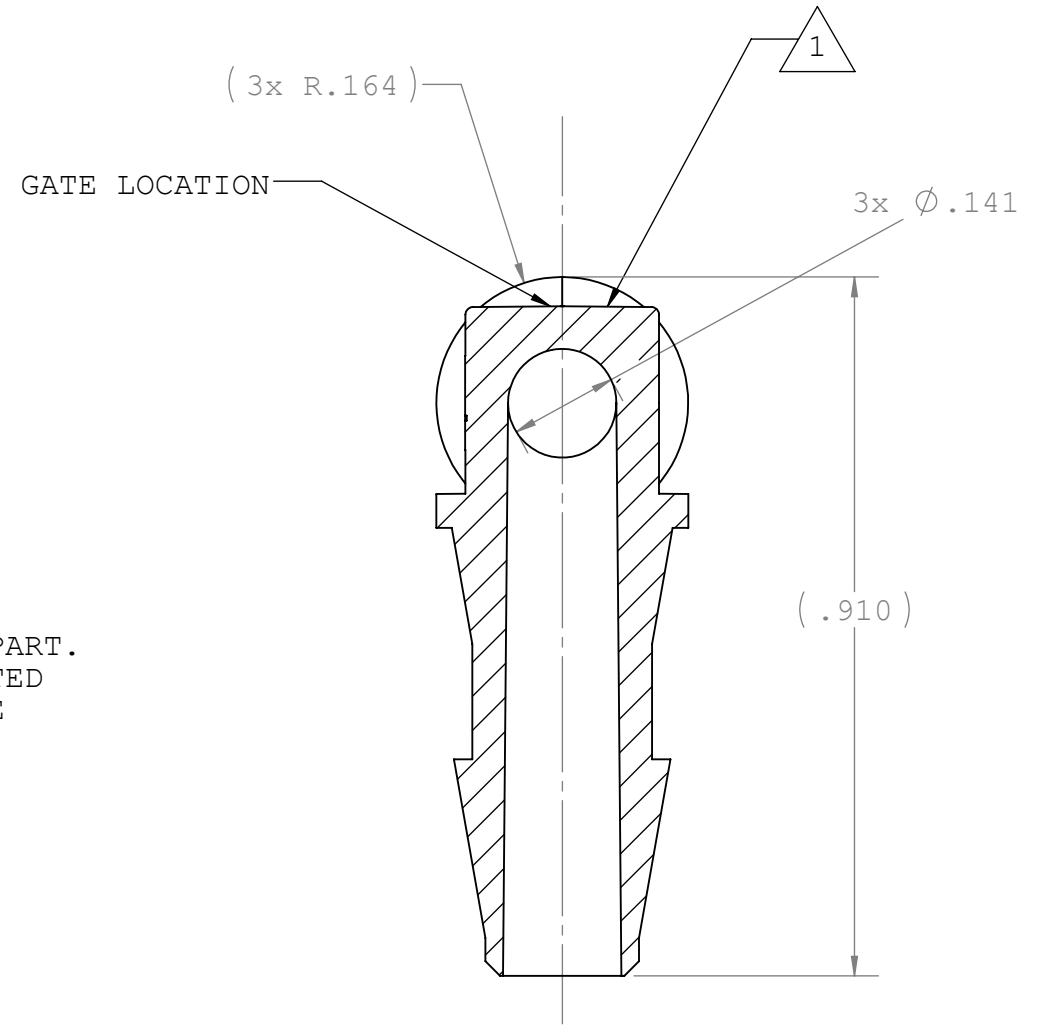
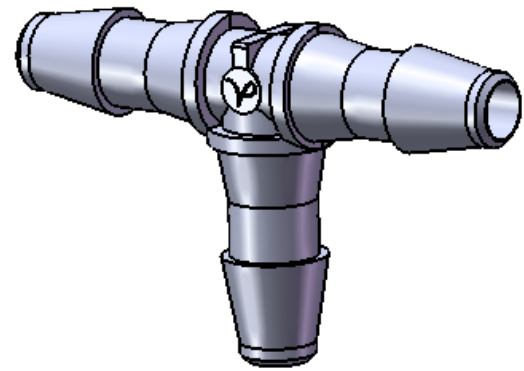
NOTES: FOR ADDITIONAL DETAILS, PLEASE CONTACT VP CUSTOMER SERVICE
 DIMENSIONS MARKED \square ARE CONTROL DIMENSIONS

\triangle 1 GATE FEATURE MAY OR MAY NOT BE PRESENT ON PART

REVISIONS			
REV.	DESCRIPTION	DATE	APPROVED
A	Initial Release	9-30-11	S.N.R



3X INSTRUMENT QUALITY PART.
 NO PARTING LINE PERMITTED
 ON THIS CONICAL SURFACE



SECTION A-A

UNLESS OTHERWISE SPECIFIED DIMENSIONS ARE IN INCHES TOLERANCES ARE:		VALUE PLASTICS, INC			
FRACTIONS	DECIMAL				
± .XX	± .01	± 1°	DESCRIPTION:	T Connector with 200 Series Barbs, 3/16" (4.75mm) ID Tubing	
± .XXX	± .005		SIZE:	B	
± .XXXX	± .001		SCALE:	NTS	
DO NOT SCALE DRAWING		VER:	DWG. NO.	1020629	
DRAWN BY:	DATE:	REV:		A	
T. Whitaker	01/07/2011				
MANAGER:		© 2010 VALUE PLASTICS, INC		SHEET: 1 OF 1	
R. Narayanan					

FOR REFERENCE ONLY