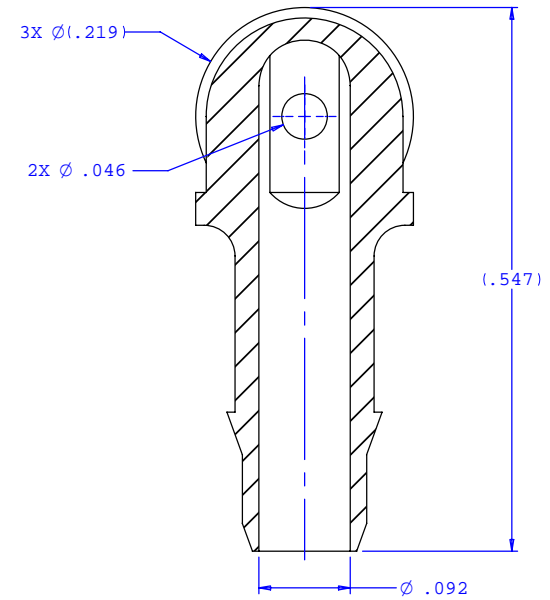
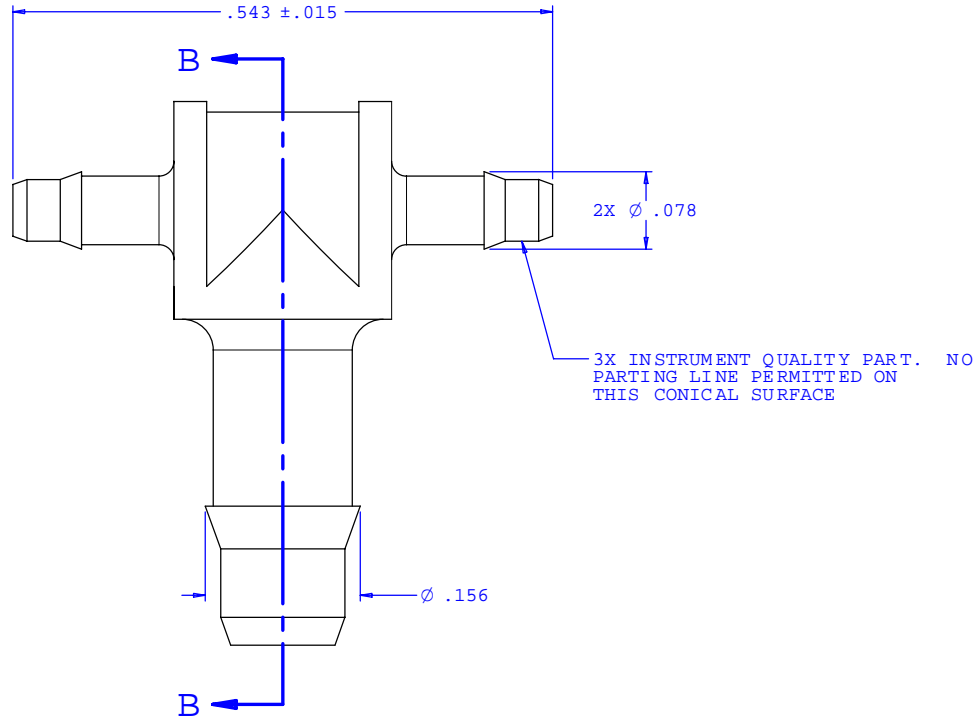
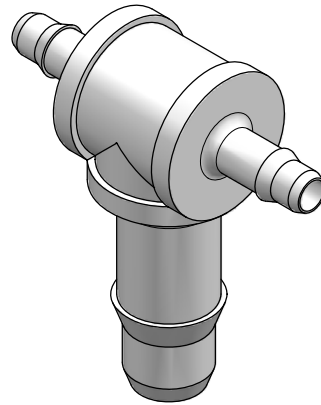


NOTE: FOR MORE DETAILS SEE YOUR V.P. CUSTOMER SERVICE REP.

REVISIONS			
REV.	DESCRIPTION	DATE	APPROVED
A	INITIAL RELEASE	11-05-97	
B	CO 024 Drafting Update	10-04-05	Rick C.



SECTION B-B



UNLESS OTHERWISE SPECIFIED DIMENSIONS ARE IN INCHES TOLERANCES ARE:		VALUE PLASTICS, INC.	
FRACTIONS ±	DECIMALS .XX ±.01 .XXX ±.005 .XXXX ±.001	ANGULAR ±1°	PART NUMBER: T410-430
DO NOT SCALE DRAWING		DESCRIPTION: Tee Reduction Connector with 400 Series Barbs, 1/16" (1.5 mm) and 1/8" (3 mm) ID Tubing	
DRAWN BY: Frank Lombardi	DATE: 07-28-05	SIZE: B SCALE: NTS	DRAWING NUMBER: 1007228 REV. B
Engineer/Manager: Rick Cairns		© 2005 VALUE PLASTICS, INC. SHEET: 1 OF 1	

FOR REFERENCE ONLY